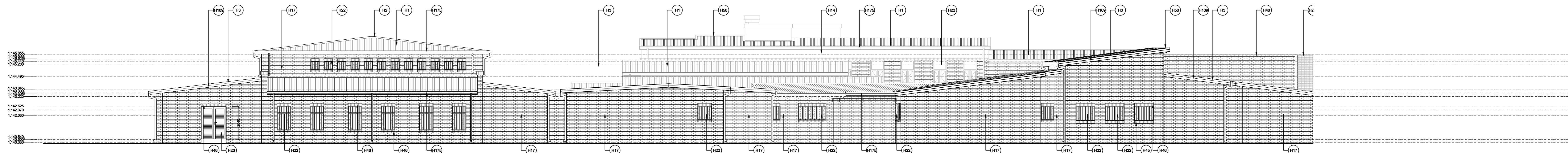
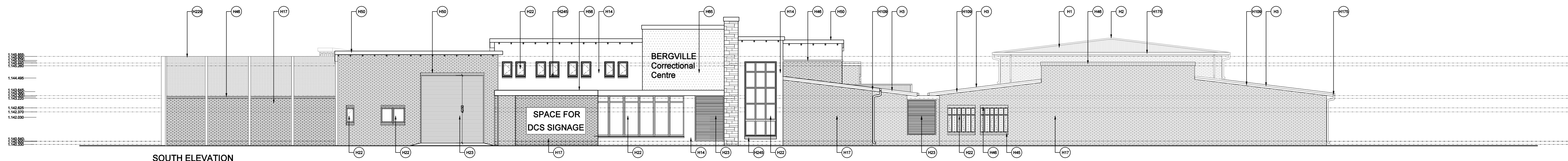


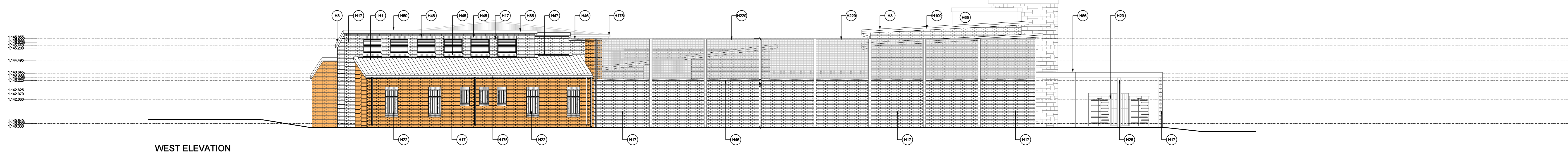
EAST ELEVATION  
SCALE 1:100



NORTH ELEVATION  
SCALE 1:100



SOUTH ELEVATION  
SCALE 1:100



WEST ELEVATION  
SCALE 1:100

- NOTAS:**
- 1 ALL DIMENSIONS AND LEVELS TO BE CHECKED ON SITE AND WHERE APPLICABLE TO MATCH EXISTING STRUCTURE.
  - 2 ANY DISCREPANCY OR CONTRADICTION TO IMMEDIATELY BE REPORTED TO THE ARCHITECT.
  - 3 DRAWINGS NOT TO BE SCALED.
  - 4 USE PROFILE COLUMNS AT 85mm CENTRES FOR BRICKWORK EXCEPT WHERE SPECIFIED DIFFERENTLY.
  - 5 A COMPLETE SET OF DRAWINGS TO BE AVAILABLE ON SITE AT ALL TIMES.
  - 6 ALL DIMENSIONS AS SHOWN PLAN TO BE PLOTTED ON SITE AT A HORIZONTAL LEVEL.
  - 7 THE CONTRACTOR IS RESPONSIBLE FOR THE CORRECT LAYOUT OF BUILDINGS ON SITE IN RELATION TO SITE BOUNDARIES AND BUILDING LINES.
  - 8 ALL DRAWINGS TO BE READ IN CONJUNCTION WITH STRUCTURAL / CIVIL ENGINEERS DETAIL AND DRAWINGS WHERE APPLICABLE.
  - 9 ALL BUILDING WORK TO COMPLY WITH SABS/NR 0400 OF 1990.

- H1 SHEET METAL ROOF COVERINGS - Galvalume
- H2 RIDGE CAPPING (GALVANIZED)
- H3 BARGE FLASHING (GALVANIZED)
- H4 SIDE WALL FLASHING (GALVANIZED)
- H14 SPECIALIST ACRYLIC PLASTICOISED COATING (SMOOTH)
- H16 STANDARD PRE-CAST LINTEL
- H17 FACE BRICK WITH FLETCHER BOND (NECESS JOINTS)
- H18 WINDOW FRAME
- H19 DOOR AND FRAME
- H24 CEILING
- H25 REINFORCED CONCRETE (STRUCTURAL)
- H26 FLOOR SLAB
- H27 PLASTER - INTERNAL WALLS
- H28 BALUSTRADES
- H29 BRICKWORK REPAIRS (MATCHING)
- H30 MASS CONCRETE FOUNDATION
- H41 FACE BRICK ON SIDE CELL
- H42 FACE BRICK W/FLY CORNER LINTEL
- H43 HEAD WALL FLASHING (GALVANIZED)
- H44 FACE FLASHING (GALVANIZED)
- H45 "VALAST" FULLY BONDED WATERPROOFING TO SLAB
- H46 BRICK CONCRETE JOINTS (MATCHING)
- H47 BRICK CONCRETE JOINTS (MATCHING)
- H48 WATERPROOFING - STONOR BITUMENS 500 (TRAFFICABLE)
- H49 PERM CONCRETE BOARD (300 X 600)
- H50 ALUMINIUM GUTTERS (SQUARE 100 X 100)
- H51 Standard Chimney Chimney
- H52 PURPOSE MADE IN SITE CAST CILL

WYSIGINGS / REVISIONS	
WYSIG	REVISION
DATE	BY

DRAWING STATUS: SKETCH PLANS

PROJECT TITLE: BERGVILLE PRISON: UPGRADING AND NEW ACCOMMODATION ON PORTION OF ERF 233, BERGVILLE, KWAZULU-NATAL PROVINCE.

DRAWING DESCRIPTION: COMPLEX ELEVATIONS

SCALE	1:100	SKAAL	1:100
D.O.W. No.		D.O.W. Nr.	
REF. No.		VARW. Nr.	
DATE	17-May-13	DATUM	17-May-13
ISSUED	PLV	UITGEREIK	PLV
DRAWN		GETEKEN	

**Bartsch**  
BARTSCH CONSULT (Pty) Ltd  
REG. NO. CK 90188523

HARRISMITH: TEL(081) 6225471 P.O. BOX 762, HARRISMITH 6880  
QUENSTOWN: TEL(041) 839 8788 LADYSMITH: TEL(031) 801 1888  
EAST LONDON: TEL(043) 727 0765 BLOEMFONTEIN: TEL (051) 305427  
CAPE TOWN: TEL(021) 302225 PRETORIA: TEL(012) 3465026  
WINDHOEK: TEL(0926461) 237403

PROJECT NO:	2620	DRAWING NO:	030-001	REVISION:	ROU
PROJEK NO:		TEKENING NO:		WYSIGING NO:	17-May-13