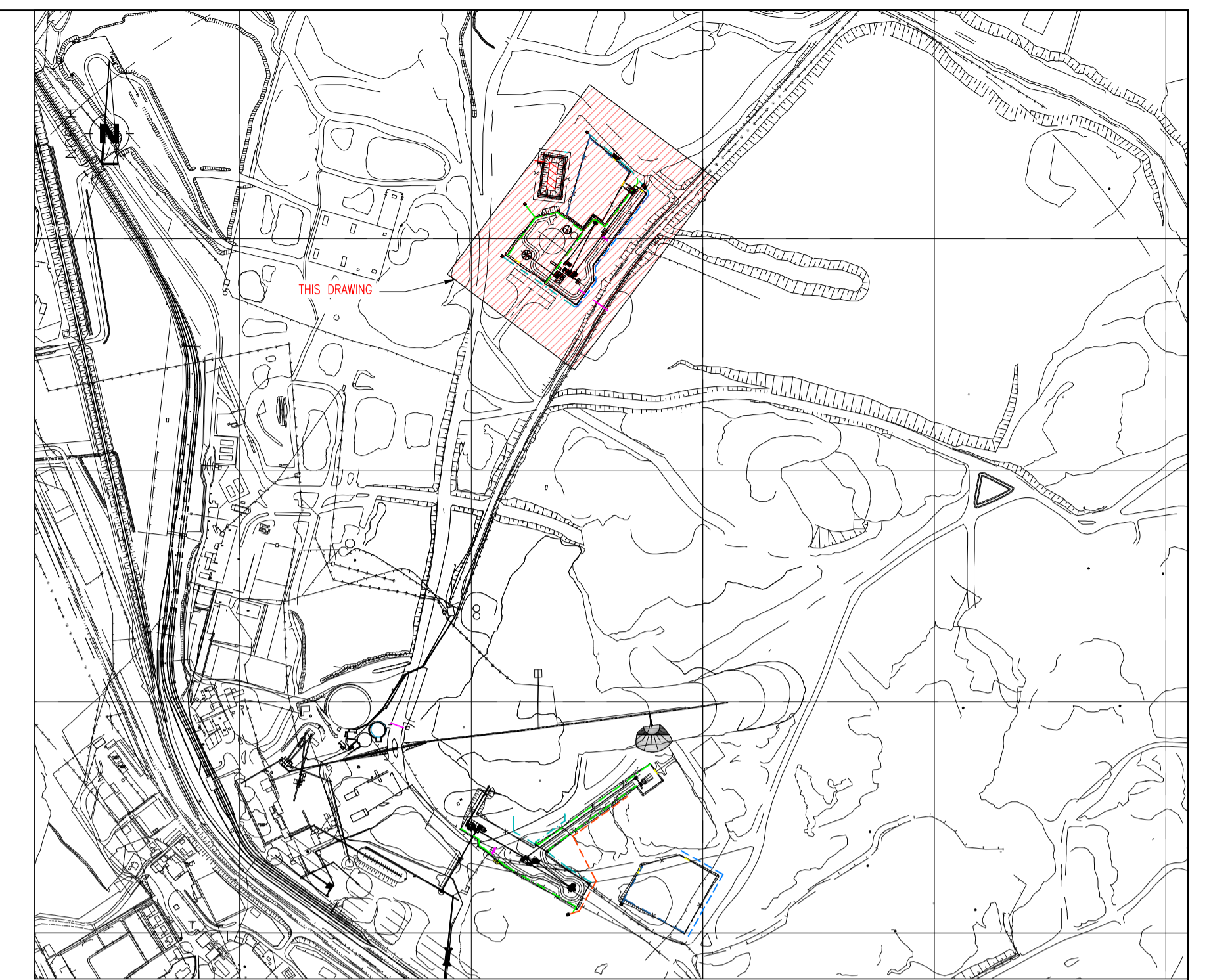


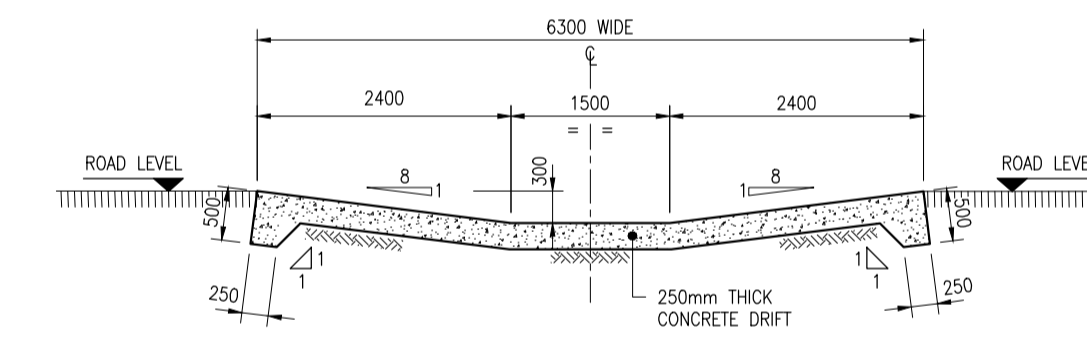
WHIMS PLANT STORM WATER MANAGEMENT – LAYOUT
SCALE: 1:750



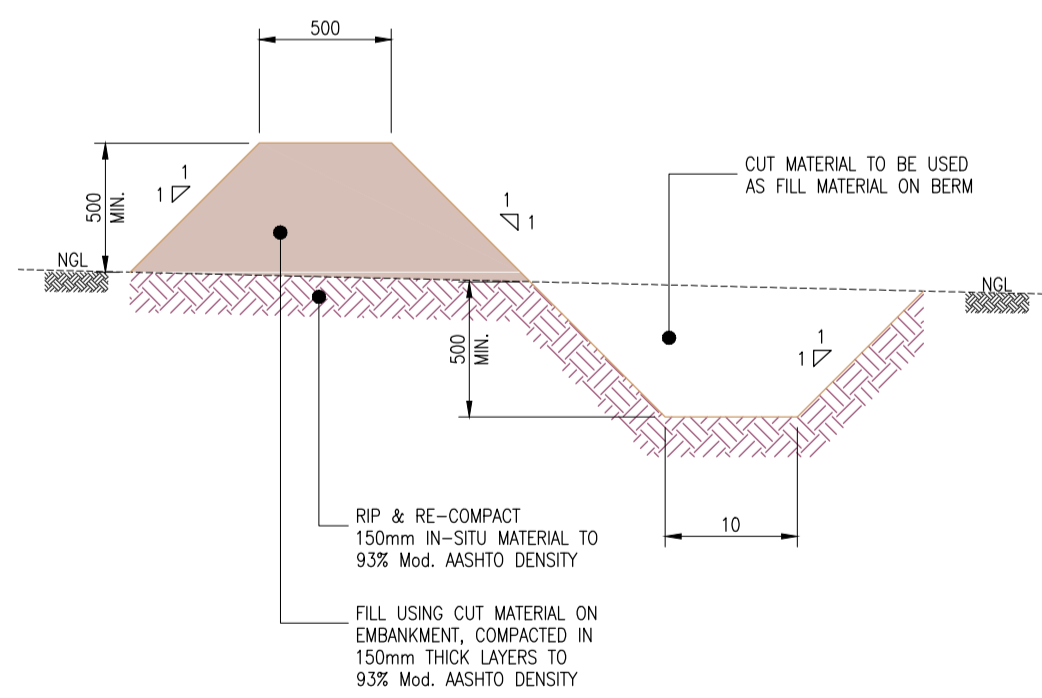
KEY PLAN
SCALE 1:7500

LEGEND:

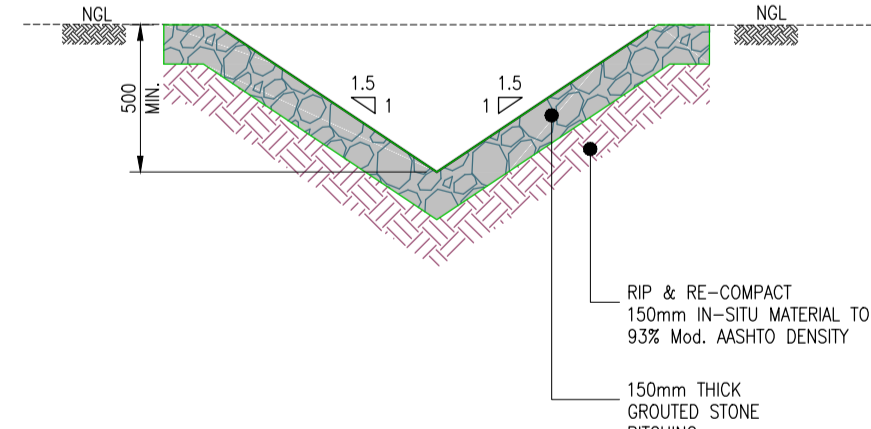
- DEFLECTION DRAIN/BERM TYPE 1
TOTAL LENGTH = 306m
- DRAIN TYPE 1
TOTAL LENGTH = 347m
- DRAIN TYPE 2
TOTAL LENGTH = 293m
- DRAIN TYPE 3
TOTAL LENGTH = 578m



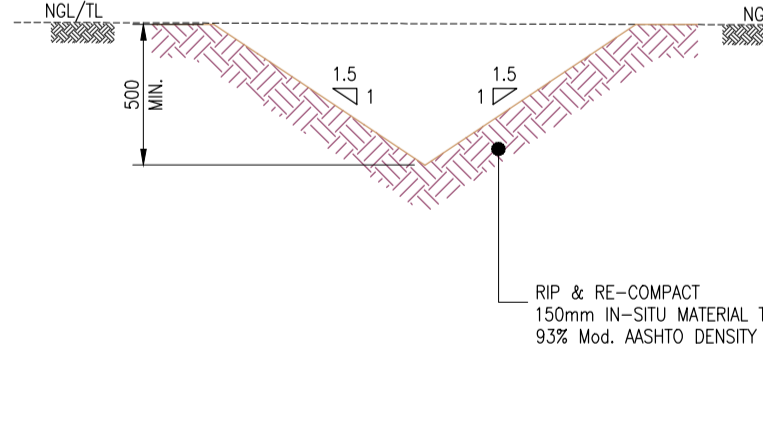
DRIFT – TYPICAL SECTION
SCALE 1:50



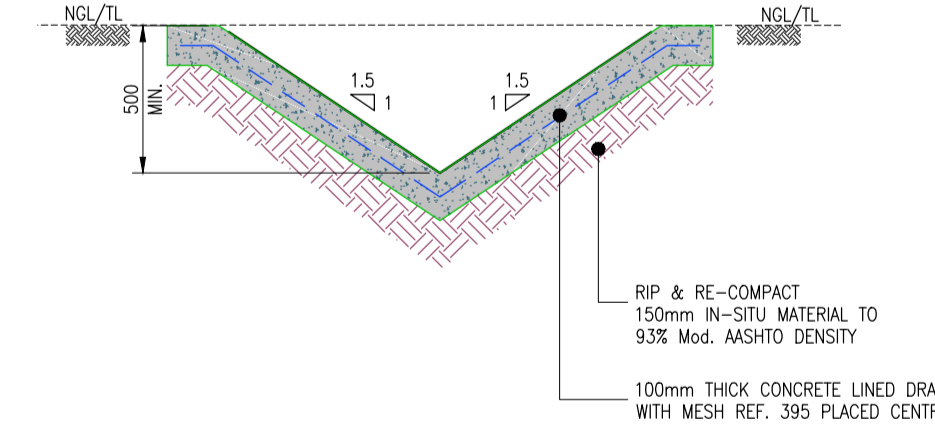
DEFLECTION BERM/DRAIN TYPE 1 – DETAIL SECTION
SCALE 1:20



DRAIN TYPE 1 – DETAIL SECTION
SCALE 1:20



DRAIN TYPE 2 – DETAIL SECTION
SCALE 1:20



DRAIN TYPE 3 – DETAIL SECTION
SCALE 1:20

| SQUAD CHECK | | | |
|-------------------------|------|-----------|------|
| DESIGNATION | NAME | SIGNATURE | DATE |
| CLIENT PROJECT MANAGER | | | |
| CLIENT PROCESS ENGINEER | | | |
| DRA PROJECT MANAGER | | | |
| DRA PROCESS ENGINEER | | | |
| DRA ELECTRICAL ENGINEER | | | |
| DRA PROJECT ENGINEER | | | |
| DRA ENGINEERING MANAGER | | | |
| DRA D.O. MANAGER | | | |
| DRA D.O. SECTION LEADER | | | |
| DRA DISCIPLINE LEAD | | | |

SURVEY SYSTEM: WGS84 L203
CONSTANTS TO BE ADDED:
K = 3 100 000

ISSUED FOR SQUAD CHECK

| REFERENCE DRAWINGS | | REFERENCE DRAWINGS | | REVISIONS | | APPROVAL | |
|--------------------|-------------|--------------------|-------------|-----------|-------------|----------|------------------------|
| DRAWING NO. | DESCRIPTION | DRAWING NO. | DESCRIPTION | REV. | DATE | CHK. | S.L. |
| | | | | A | MM 21.10.20 | | ISSUED FOR SQUAD CHECK |
| | | | | | | | |



| DRA PROJECTS | | | DRAWING OFFICE | | |
|---------------------|-----------|------|----------------|----------------|----------------------|
| APPROVAL | SIGNATURE | DATE | D.O. MANAGER | SECTION LEADER | |
| PROJECT MANAGER | | | | | |
| PROJECT ENGINEER | | | D COETZEE | | 25.08.2020 |
| PROJECT ENGINEER | | | CHECKED | | |
| DISCIPLINE ENGINEER | | | | | PR. ENG. / PR. TECH. |
| DISCIPLINE ENGINEER | | | | | NAME: |
| DISCIPLINE ENGINEER | | | | | REG. NUMBER: |
| DESIGN ENGINEER | | | | | SIGNATURE: |



| TITLE | | | | | | |
|---|-------|--------------|-----------|-------|----------|----------------|
| PROJECT | DISC. | WORK PACKAGE | FILE NAME | SHEET | REVISION | SCALE |
| BEESHOEK PLANT OPTIMISATION PROJECT 80 BEESHOEK SURFACE CONTAMINATED WATER RECOVERY STORMWATER WHIMS PLANT STORM WATER MANAGEMENT GENERAL ARRANGEMENT | | | | | | |
| AO | 04951 | IH | 80-YR-1 | 00332 | 1 of 1 | A 1:750 U.G.S. |