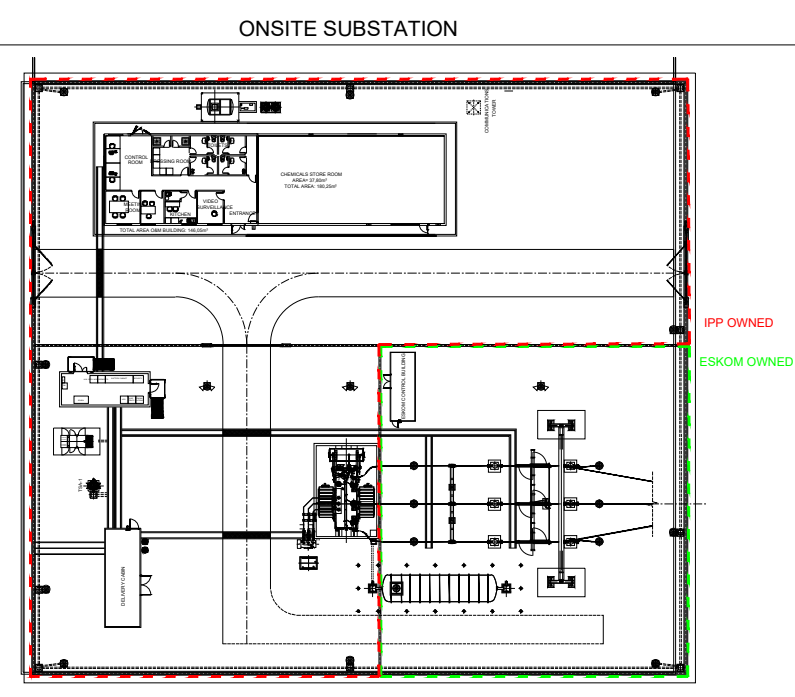
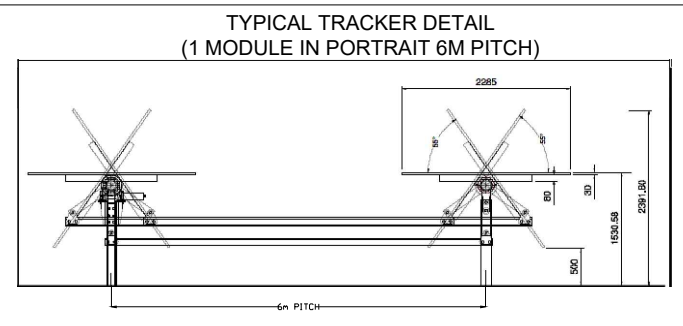


This drawing is property of AMDAenergia and THE CLIENT and may not be copied (in whole or in part), used for manufacture or disclosed without prior written consent of AMDAenergia, THE CLIENT or an authorized agent.

ROAN 2 LEASING LIMITS			
UTM WGS84			
Corner	Easting [m]	Northing [m]	Time zone
R2-1	442585.536	7034297.588	35J
R2-2	440642.109	7034086.756	35J
R2-3	440735.698	7033489.235	35J
R2-4	441061.857	7033373.35	35J
R2-5	442160.629	7032871.941	35J
R2-6	442337.228	7032125.524	35J
R2-7	442430.731	7031644.175	35J
R2-8	443805.456	7031453.418	35J
R2-9	443790.755	7032060.274	35J
R2-10	443351.579	7032081.151	35J
R2-11	443314.162	7032934.91	35J
R2-12	443114.792	7032971.819	35J
R2-13	442494.372	7032837.47	35J

- LEGEND:**
- PV Leasing limits
 - Fence
 - Tracker PV table 2 strings (58 modules)
 - Inverter Transformer Station
 - MV Line/Trench
 - Access gate
 - Access road
 - Corridor access road
 - Delivery cabin
 - Laydown area
 - Internal road
 - Onsite Substation+ Switching SS+BESS (2Ha)
 - Gravel road/Path
 - Tertiary road
 - Evacuation Powerline Options
 - 100m corridor Powerline
 - Residential
 - Meteo Equipment
 - Water tank

- SENSITIVITY AREAS:**
- High sensitivity area
 - 100m-Buffer Wetland
 - 100m-Buffer Tertiary Road
 - 100m-Buffer Adjacent land parcels
 - River
 - 100m buffer River
 - Waterbody



A	First edition	12/04/2022	C.Blanco
Rev.	Description	Date	Author

Horizontal Scale in meters
Graphical

Client:

Country: South Africa
Address:

Project: Roan 2 PV Plant
Project No.: RSA_PV_ROA 2

Title: Preliminary Layout Roan 2 PV Plant

Industrial Engineer: Raúl Latorre Rodrigo
Prof. Eng. No.:

	DATE	NAME - SURNAME	Rev.	Sheet
DRAWN:	12/04/2022	C. Blanco	A	1 of 1
CHECKED:	12/04/2022	R. Latorre	N / A	A3
APPROVED:	12/04/2022	R. Latorre		