



ARCUS

APPENDIX C5

BASIC ASSESSMENT I&AP DATABASE

Name	Designation	Organisation	Email contact	Address	Town
Organs of State: National Governance					
Muhammad Essop	Assistant Director - Strategic Infrastructure Developments	National Department of Environmental Affairs, Fisheries and Forestry (DEFF)	Messop@environment.gov.za		
Mr Shonisan Munzhezi	Deputy Director: General Biodiversity and Conservation	National Department of Environmental Affairs, Fisheries and Forestry (DEFF)	smunzhezzi@environment.gov.za	DEA Head Office Department of Environmental Affairs Environment House, 473 Steve Biko Road, Arcadia	Pretoria
Constance Musemburi	Case Officer	National Department of Environmental Affairs, Fisheries and Forestry (DEFF)	CMusemburi@environment.gov.za	DEA Head Office Department of Environmental Affairs Environment House: 473 Steve Biko Road, Arcadia	Pretoria
Mr Seoka Lekota	Directorate: Biodiversity and Conservation	National Department of Environmental Affairs, Fisheries and Forestry (DEFF)	slekota@environment.gov.za	Private Bag X447	Pretoria
Ms Portia Makitla	Directorate: Biodiversity and Conservation	National Department of Environmental Affairs, Fisheries and Forestry (DEFF)	pmakitla@environment.gov.za	Private Bag X448	Pretoria
Stanley Tshitwamulomoni	Chief Directorate: Biodiversity Section	National Department of Environmental Affairs, Fisheries and Forestry (DEFF)	StanleyT@environment.gov.za	Environment House, 473 Steve Biko Road, Arcadia	Pretoria
Ms Ernest Mokganedi	Chief Directorate: Protected Areas Expansion Unit	National Department of Environmental Affairs, Fisheries and Forestry (DEFF)	Emokganedi@environment.gov.za	Environment House, 473 Steve Biko Road, Arcadia	Pretoria
Pheladi Masipa	Acting Project Manager: Renewable Energy Initiatives	Department of Energy (DoE)	Pheladi.Masipa@energy.gov.za	192 Visagie Street Corner Paul Kruger & Visagie Street	
Mrs SP Mokuele	Northern Cape Regional Energy Director	Department of Energy (DoE)	sebabatso.mokuele@energy.gov.za ; sebabatso.mohapi@energy.gov.za	Private Bag X6093	Kimberley
Sunday Mabaso	Regional Manager	Department of Mineral Resources and Energy (DMRE)	sunday.mabaso@dmr.gov.za		
Mthetheleli Maphinda	Regional Energy Director	Department of Mineral Resources and Energy (DMRE)	mthetheleli.maphinda@energy.gov.za		
Nozizwe Makgalemele	Deputy Director General Spatial Land Use and Management	Department of Rural Development and Land Reform (DRDLR)	Nozizwe.Makgalemele@drdlr.gov.za		
Mangalane Du Toit	Chief Director: Land Restitution Support	Department of Rural Development and Land Reform (DRDLR)			
Jacoline Mans	Chief Forester: NFA Regulation	Department of Agriculture, Forestry and Fisheries: Directorate (DAFF)	jacolinema@daff.gov.za	26 Olien Street, Louisvale Road	Upington
Mashudu Marubini	Delegate to the Minister	Department of Agriculture, Forestry and Fisheries: Directorate (DAFF)	mashuduma@daff.gov.za	Private Bag X 120 2nd Floor, Delpen Building, Cnr Annie Botha and Union Street, Office 270	Pretoria
Thoko Buthelezi	Administration Clerk: National Office	Department of Agriculture, Forestry and Fisheries: Directorate (DAFF)	thokob@daff.gov.za ; nhlakad@daff.gov.za	Private Bag X 120 2nd Floor, Delpen Building, Cnr Annie Botha and Union Street, Office 270	Pretoria
Ms R L Bosoga	Department of Agriculture, Land and Soil Management: National Land Care Secretariat	Department of Agriculture, Forestry and Fisheries: Directorate (DAFF)	lydiab@daff.gov.za		
Mr Shaun Cloete	Deputy Director Lower Orange WMA	Department of Human Settlements, Water and Sanitation (DHSWS)	Cloetes@dwa.gov.za	Private Bag x5912	Upington
Kobus Streuders	Northern Cape Regional Office	Department of Human Settlements, Water and Sanitation (DHSWS)	frankl@dws.gov.za		
S Manamathela		Department of Human Settlements, Water and Sanitation (DHSWS)	manamathelas@dws.gov.za	Private Bag X5912	Upington
Ntombizanele Feni	Kimberly Division	Department of Human Settlements, Water and Sanitation (DHSWS)	FeniN2@dws.gov.za		
Lerato Mokhoantle	Kimberly Division	Department of Human Settlements, Water and Sanitation (DHSWS)	Mokhoantle@dws.gov.za		
Gawie van Dyk	Kimberly Division	Department of Human Settlements, Water and Sanitation (DHSWS)	VanDykg@dws.gov.za		
Mashudu Kgaphola	Upington Division	Department of Human Settlements, Water and Sanitation (DHSWS)	KgapholaM@dws.gov.za		
Alexia Hlangani	Upington Division	Department of Human Settlements, Water and Sanitation (DHSWS)	HlanganiA@dws.gov.za		
Natasha Higgitt		South African Heritage Resources Agency (SAHRA)	nhiggitt@sahra.org.za		
Nicole Abrahams		South African National Roads Agency Limited (SANRAL)	abrahams@nra.co.za	1 Haven Ga Street, Oakdale, Bellville, 7530	
Amanda Mboniswa		South African National Roads Agency Limited (SANRAL)	mboniswa@nra.co.za		
R. C. Barlow		Department of Transport (DoT)	rbarlow@ncpg.gov.za ; ramon@vodamail.co.za	45 Schmidtsdrift Road	Kimberley
Dr. Adrian Tiplady		Square Kilometer Array (SKA)	atiplady@ska.ac.za	P. O. Box 522940, 17 Baker Street Rosebank 2196	Saxonwold
Project co-ordinator	South Africa Project Office	Square Kilometer Array (SKA)	enquiries@ska.ac.za	PO Box 522940	Saxonwold
Lizel Stroh	Inspector of Obstacles (Solar and Windfarms)	South African Civil Aviation Authority (CAA)	Stroh@caa.co.za ; obstacles@caa.co.za	PO Box 174	Cape Town International Airport
Evelyn Shogole	Environmental Specialist	South African Civil Aviation Authority (CAA)	ShogoleE@caa.co.za	Private Bag X 73 Halfway House; 1685	
Lt. Col. Kebasenos Zondi	S01 Military Intergrated Environmental Management (MIEM) Governance	South African Department of Defence	kebasenos@yahoo.com	Private Bag X319	
John Geeringh / Debbie Hardin		Eskom SOC Limited	John.geeringh@eskom.co.za ; hardind@eskom.co.za	For Attention:John Geeringh ; PO Box 1091	Johannesburg
Henk Wydeman		Eskom SOC Limited	WydemaH@eskom.co.za		
Nomzamo Mduyvelwa	Northern Cape Operating Unit, Land and Rights Officer	Eskom SOC Limited	MduyveN@eskom.co.za	DSC Building, Ground Floor Block C, 69 Memorial Rd, Kimberley	Kimberley
Annelize Harmse		Transnet SOC Ltd	Annelize.Harmse@transnet.net		
Fabian Damons	Transnet Freight rail Kimberley	Transnet SOC Ltd	Fabian.Damons@transnet.net		
Ian Lombard	Transnet Freight rail Kimberley	Transnet SOC Ltd	Ian.Lombard@transnet.net		
Wentzel Radcliffe	*Transnet Property Bloemfontein	Transnet SOC Ltd	Wentzel.Radcliffe@transnet.net		
Sidney Lewis	*Transnet Property Bloemfontein	Transnet SOC Ltd	Sidney.Lewis@transnet.net		
Mark Moodaley	*Transnet Property Bloemfontein	Transnet SOC Ltd	Mark.Moodaley@transnet.net		
Khethelo Mhlanga		Transnet SOC Ltd	khethelo.mhlanga@transnet.net		
Geraldine Kilian	Freight Rail	Transnet SOC Ltd	geraldine.kilian@transnet.net		
Mr Ezekiel Moryamane	Transnet Freight Rail, the Senior Manager : Environmental Sustainability,	Transnet SOC Ltd	Ezekiel.moryamane@transnet.net		
South African National Biodiversity Institute (SANBI)		NPAES	info@sanbi.org.za	Private Bag X101	Pretoria
Organs of State: Provincial Governance					
Mr Bryan Fisher	Director: Environmental Quality Management	Northern Cape Department of Environmental and Nature Conservation (DENC)	bfisher@ncpg.gov.za	Metlife Towers , Post Office Building, T-Floor and 1st Floor, Private Bag X6140	Kimberley
Mrs Judy Scholtz	Personal Assistant to Mr Fisher	Northern Cape Department of Environmental and Nature Conservation (DENC)	judyjscholtz@ncpg.gov.za	Metlife Towers , Post Office Building, T-Floor and 1st Floor, Private Bag X6120	Kimberley
Elsabe Swart		Northern Cape Department of Environmental and Nature Conservation (DENC)	elsabe.dtec@gmail.com		Kimberley
Peter Cloete	Research Development Officer	Northern Cape Department of Environmental and Nature Conservation (DENC)	peter.denc87@gmail.com		
Mr Dineo Moleko	Assistant Director: Impact Management	Northern Cape Department of Agriculture, Environmental Affairs, Rural Development and Land Reform	dmoleko@half.ncape.gov.za	Environmental Quality Management Department Environment and Nature Conservation P/Baq X6102	Kimberley
Babalwa Mbobo	Deputy Director: Renewable Energy	Northern Cape Economic Development Agency	mbobobc@gmail.com	mbobobc@gmail.com	
Andrew Timothy	Heritage Officer	Northern Cape Heritage Resources Agency	rtimothy@nkhb.org.za ; ahall@ncpg.gov.za	P. O. Box 1930/ 1 Ropper Str	Kimberley
Ms R K Cwangae	Senior Admin	Northern Cape Heritage Resources Agency	rcwangae@nkhb.org.za ; ratha.timothy@gmail.com		
Ms Martha Bartlett		Northern Cape Department of Transport, Safety and Liaison	mmogorosi@ncpg.gov.za ; zschmidt@ncpg.gov.za	C/O Phakamile Mabija & Lennox Streets	Kimberley
Mr Moeketsi Dichaba	Head of Department	Northern Cape Department of Transport, Safety and Liaison	Intombela@ncpg.gov.za		
Menelisi Sithole		Northern Cape Department of Roads and Public Works	menelisi.sithole@vodamail.co.za	9-11 Stockroos Street, Squarehill Park	Kimberley
Jaco Roelofse	Director: Roads	Northern Cape Department of Roads and Public Works	roelofse.j@vodamail.co.za	9-11 Stockroos Street, Squarehill Park	Kimberley
Non-Government Organisations and Non-Profit Organisations					
Lourens Leeuwier	Wildlife and Energy programme	Endangered Wildlife Trust	lourensl@ewt.org.za	Email only	
Constant Hoogstad		Endangered Wildlife Trust	ela@ewt.org.za		
Gareth Tate		Endangered Wildlife Trust	GarethT@ewt.org.za		
Samantha Ralston-Paton	Birds and Renewable Energy Manager	BirdLife South Africa	energy@birdlife.org.za	PO Box 515	Randburg
Tania Anderson	Conservation Officer	Wildlife and Environment Society of South Africa (WESSA)	spothill@gmail.com	18 Blackwood Street	Bryanston
Northern Cape Municipalities					
Mr Isak Visser	Municipal Manger	Emthanjeni Local Municipality	Ivisser@emthanjeni.co.za	PO Box 42	De Aar
		Emthanjeni Local Municipality	spooysen@emthanjeni.co.za ; tallies@emthanjeni.co.za ; dearmun@intekom.co.za	PO Box 42	De Aar
Humbulani Muhangane	Pixley Ka Seme: Official	Pixley ka Seme District Municipality	pixley@telkomsa.net ; hmuhanagane@half.ncape.gov.za	47 Church Street, De Aar. Private Bag X1014	De Aar
Colleen Smuts	Admin Clerk	Pixley Ka Seme, Siyanda and Kgalagadi District Municipality	csmuts@half.ncape.gov.za	224 Du Toit Span Road	Kimberley
Mr RE Pieterse		Pixley ka Seme District Municipality	rm@pkscdm.gov.za	Private Bag 1012, De Aar, 7000	

Me LE Andrews		Ward Councillor (Ward 6) - Emthanjeni Municipality	leandrews@emthanjeni.co.za		
Me P D can Wyk		Ward Councillor (Ward 4) - Emthanjeni Municipality	pdvanwyk@emthanjeni.co.za		
		Ward Councillor	gnyl@emthanjeni.co.za	Email only:	
Directly Affected Landowners					
Marietha van der Merwe	Slingers Hoek, Portion 2 of Farm No. 2	Landowner	0837221951@vodamail.co.za		
Indirectly Affected Landowners					
Willem Jacobus Van Der Merwe		Lemoenkloof (Farm Ebenezer (Farm 180 portion 41) Adjacent landowner	lemoenkloof@lantic.net	PO Box 612	De Aar
Mr Taljaard	Farm De Aar 108, Portion 5	Municipality De Aar	cklopper@emthanjeni.co.za	Voortrekker Street 45	De Aar
Mr Taljaard	Farm De Aar 108, Portion 6	Municipality De Aar	visser@emthanjeni.co.za	Voortrekker Street 45	De Aar
Mr Taljaard	Farm De Aar 108, Portion 9	Municipality De Aar	cklopper@emthanjeni.co.za	Voortrekker Street 45	De Aar
	Farm Wag 'n Bietjie Annex B 139, Remaining Extent	Unknown	visser@emthanjeni.co.za		
Bletterman Trust	Farm De Aar 108, Portion 2		Registered Mail	PO Box 42, De Aar 7000	
Jan Pienaar	Farm Vetlaagte 4, Remaining Extent	L D P BOERDERY PTY LTD	rentiapienaar@webmail.co.za		
Barend Jacobus Van Der Merwe	Farm Wag 'n Bietjie Annex C 137, Remaining Extent		bennie11@webmail.co.za		
Jan Pienaar	Farm Vetlaagte 4, Portion 1	L D P BOERDERY PTY LTD	rentiapienaar@webmail.co.za		
Barend Jacobus Van Der Merwe	Farm Wagt en Bittje 5, Remaining Extent		bennie11@webmail.co.za; anita.vandermewer@mobilemail.vodafones.co.za;0837221951@vodamail.co.za	PO Box 53	
General Stakeholders					
Uso Thomas		De Aar Public Library		Alida Street	De Aar
Leonard Shaw	Telkom	Telkom	shawls@telkom.co.za		
J.P. Theron		J.P. Theron	pjtheron4jules@gmail.com	PO Box 683	De Aar
Jan Andries Venter		Vendussie Kuil	kranskopboerdery@gmail.com	Email only	
Arnold Pansi		Potties B&B	tailfun@telkomsa.net	30 Hoop Street	De Aar
Andre Theron		De Aar Agri	bestuurder@agrlink.co.za		
Adam Treki		Adam Treki	adamtreki@yahoo.com		
Kobus Rust		Public Recipient	kobusrust32@gmail.com		
WSO Marais (Sterrie)		Nuwejaarsfontein	sterrie@karooexperience.co.za	Posbus 94	De Aar
Anouliize Strydom		CMO Grondverskuiwing en Algemene konstruksie (PTY) LTD	cmo.karoo@gmail.com; anouliizes@gmail.com;		
A M Augustyn		Maatjies Fountain 1 (Portion 2 Re & 3)		Uys Straat 11	De Aar
A. H. Hoen		Hartebees Hoek 31		PO Box 3	De Aar
Adam Treki		Adam Treki	adamtreki@yahoo.com		
Adam Treki		Adam Treki	adamtreki@yahoo.com		
Andre Theron		De Aar Agri	bestuurder@agrlink.co.za		
Anouliize Strydom		CMO Grondverskuiwing en Algemene	cmo.karoo@gmail.com; anouliizes@gmail.com;		
Zakiya Abrahams	Development Intern	WKN Windcurrent	abrahams@wkn-windcurrent.com		



ARCUS

APPENDIX C6

COMMENTS AND RESPONSES TRAIL

Including Initial Notification and

October 2020 Draft BAR Submission

Aneesah Alwie

From: De Aar
Sent: Tuesday, 03 March 2020 14:36
To: Diederik Albertyn
Subject: Re: 3457 De Aar 2 South

Good Day Diederik

Thank you for your email. You have been added to the I&AP database and will get notifications / updates throughout the EIA process of this project.

Thank You
Aneesah Alwie

From: Diederik Albertyn <diederik.albertyn@gmail.com>
Sent: Monday, February 17, 2020 10:54 AM
To: De Aar <deaar@arcusconsulting.co.za>
Subject: 3457 De Aar 2 South

Hi Aneesah

I wish to be registered as an I&AP as a new power line will be build on my farm Rusoord, De Aar.

My postal address is PO Box 217, De Aar,7000.
Cell phone no is 082 926 9088.

Thank you

Diederik Albertyn
Farm Rusoord, De Aar

Aneesah Alwie

From: De Aar
Sent: Thursday, 27 August 2020 15:08
To: lemoenkloof
Subject: RE: Registrasie B&GP

Dear Wim

Thank you for your e-mail. Your contact details has been included on the I&AP Database.

De Aar Quarry Details has been sent onto the Applicant.

Thank You

Kind Regards

Aneesah Alwie

Environmental Consultant, South Africa

Tel: +27 (0) 21 412 1529

Cell: +27 (0) 72 595 0104

Email: AneesahA@arcusconsulting.co.za

Arcus Consultancy Services South Africa (Pty) Ltd

www.arcusconsulting.co.za

From: lemoenkloof <lemoenkloof@lantic.net>
Sent: Tuesday, 10 March 2020 11:37
To: De Aar <deaar@arcusconsulting.co.za>
Subject: Registrasie B&GP

Goeie dag

Kan u my asb registreer as n B&GP by die voorgestelde 400 kv De Aar South 2 projek. (verwysing 3457 De Aar 2 South)
Ek besit die aangrensende plaas Ebenezer (Farm 180 portion 4). Ek het ook n mynpermit op die plaas.

Dit word bedryf deur De Aar Quarry en kan materiale verskaf aan die voorgestelde projek. Ons is ook in proses om n ontwikkelaar te soek vir PV ontwikkeling op Ebenezer. (kaart aangeheg)

My besonderhede:

WJ van der Merwe

Posbus 612

De Aar

7000

Epos : lemoenkloof@lantic.net

Selno : 0834410225

Kontakbesonderhede De Aar Quarry:

Thabiso Mosia 0828046353

Roy Rudman 0792767771

Groete
Wim van der Merwe

Aneesah Alwie

From: De Aar
Sent: Thursday, 27 August 2020 15:18
To: Kobus Rust
Subject: RE: (B&GP's) 3457DeAar South.

Good Day Kobus

Thank you for your e-mail and interest in the Proposed Developments near the town of De Aar, Northern Cape Province.

Your contact details has been included on the I&AP database.

Thank You

Kind Regards

Aneesah Alwie

Environmental Consultant, South Africa

Tel: +27 (0) 21 412 1529

Arcus Consultancy Services South Africa (Pty) Ltd
www.arcusconsulting.co.za

From: Kobus Rust <kobusrust32@gmail.com>
Sent: Friday, 10 July 2020 11:50
To: De Aar <deaar@arcusconsulting.co.za>
Subject: (B&GP's) 3457DeAar South.

Geagte Aneesha,

U uitnodiging in die Volksblad van vandag het betrekking. As Raadslid van Emthanjeni Munisipaliteit en besorgde inwoner met 'n hoe prioriteit op die herstel en groei van plaaslike- en streekseksonomie, sal ek dit waardeer indien u my op jul adreslys kan plaas.

Met dank

Die uwe

H.J.Rust (Kobus)

Aneesah Alwie

From: John Geeringh <GeerinJH@eskom.co.za>
Sent: Tuesday, 01 September 2020 12:29
To: De Aar
Subject: RE: Initial Notification: Proposed De Aar 2 South WEF Associated Infrastructure Developments, Northern Cape Province

Thanks for the response and clarification.

Kind regards
John

From: De Aar [mailto:deaar@arcusconsulting.co.za]
Sent: 01 September 2020 12:25 PM
To: John Geeringh
Subject: RE: Initial Notification: Proposed De Aar 2 South WEF Associated Infrastructure Developments, Northern Cape Province

Good Morning John,

Thank you for your email and interest in the Proposed De Aar 2 South WEF Associated Infrastructure Developments.

With regards to your comment on the 400 KV substation, you are correct. A Basic Assessment process is being followed. The project falls within the Central Strategic Transmission Corridor, and is thus considered a EGI SEA project. The MEC promulgated GNR 787 on the 17 July 2020 which is said to repeal GN 113, however, mention of the legislative requirements and framework for the project will be contained within the Basic Assessment Report.

In terms of the Grid Connection, the proposed project is located in a EGI corridor, and the applicant would like to have an option to connect to a higher voltage up to 400kV if it is required. The proposed project application is for “up to 400kV” , and therefore would also be authorised to connect at a lower voltage (e.g. 132kV) if required.

There will be no separate application for a 400 kV substation.

In terms of correspondence with Eskom, Eskom has agreed to the connection at Hydra in their Cost Estimate Letter (CEL) dated: 28 July 2020. The Applicant and Eskom have discussed the proposed grid connection and the result is outlined in the CEL.

I trust you will find our response to your satisfaction.

Kindly contact me should you have any further comment/question.

Kind Regards

Ashleigh Blackwell
Senior Environmental Assessment Practitioner

Tel: +27 (0) 21 412 1529
Cell: +27 (0) 79 895 1456
Email: AshleighB@arcusconsulting.co.za

Arcus

Office 607 Cube Workspace
Cnr Long Street and Hans Strijdom Ave
Cape Town
8001

www.arcusconsulting.co.za



From: John Geeringh [mailto:GeerinJH@eskom.co.za]

Sent: Thursday, August 27, 2020 2:25 PM

To: De Aar <deaar@arcusconsulting.co.za>

Subject: RE: Initial Notification: Proposed De Aar 2 South WEF Associated Infrastructure Developments, Northern Cape Province

The BID documents states that you are doing the BA in terms of Listing Notice 1 (GN R327), however 400kV is a Listing 2 activity requiring scoping / EIA. You forgot to mention in the BID that the GN R 113 process applies to this application since it falls within a geographical area although you do mention the strategic corridors? Do you have a pre-negotiated route for the Power lines to be constructed as per GN R 113 requirements?

Kind regards

John Geeringh (Pr Sci Nat)(EAPASA)
Senior Consultant Environmental Management
Land and Rights
Eskom Transmission Division
Megawatt Park, D1Y42, Maxwell Drive, Sunninghill, Sandton.
P O Box 1091, Johannesburg, 2000.
Tel: 011 516 7233
Cell: 083 632 7663
Fax: 086 661 4064
E-mail: john.geeringh@eskom.co.za

From: De Aar [mailto:deaar@arcusconsulting.co.za]

Sent: 27 August 2020 01:43 PM

To: De Aar

Subject: Initial Notification: Proposed De Aar 2 South WEF Associated Infrastructure Developments, Northern Cape Province

Dear Interested and Affected Parties

Project Title 1: Proposed Construction of the up to 400 kV De Aar 2 South Transmission Lines and Switching Station, Northern Cape Province and

Project Title 2: Proposed Construction of the up to 400 kV On-Site Substation and Battery Energy Storage System, Northern Cape Province

You have been identified as an **Interested and Affected Party** for the Proposed Development(s), titled above, close to the town of De Aar in the Northern Cape Province. This notification is to inform you that the Applicant, Mulilo De Aar 2

South (Pty) Ltd will be submitting two (2) separate applications to the competent authority, the Department of Environment Forestry and Fisheries, for a decision.

Attached is an Initial Notification Letter and Background Information Document for each Proposed Development. Notification of submission of the Application Form(s) and Draft Report(s) will be sent to all registered Interested and Affected Parties (I&APs). The Draft Basic Assessment Report(s) will be made available on the website: <https://arcusconsulting.co.za/projects/> and for public review and comment once submitted (exact date and location of availability of each application to be confirmed in notification to all registered I&APs).

Should you wish to invite any other person to be registered as an I&AP, please submit their name, interest in the project, email and postal address and telephone number in writing to the below address:

Arcus Consultancy Services South Africa (Pty) Ltd

Arcus Reference : 3457 De Aar 2 South Transmission Lines and Switching Station

Arcus Reference : 3457 De Aar 2 South Substation and Battery Energy Storage System

Person : Aneesah Alwie and Ashleigh Blackwell

Email : deaar@arcusconsulting.co.za

Post Address : Office 607 Cube Workspace, Icon Building, Cnr Long Street and Hans Strijdom Avenue, Cape Town, 8001

Telephone : +27 21 412 1529

Note: Due to the National COVID-19 Pandemic, measures will be put in place when the Draft Report(s) is available for public review in hard copy.

Thank You

Kind Regards

Aneesah Alwie

Environmental Consultant, South Africa

Tel: +27 (0) 21 412 1529

Arcus Consultancy Services South Africa (Pty) Ltd

Office 607 Cube Workspace

Cnr Long Street and Hans Strijdom Ave

Cape Town

8001

www.arcusconsulting.co.za



NB: This Email and its contents are subject to the Eskom Holdings SOC Ltd EMAIL LEGAL NOTICE which can be viewed at http://www.eskom.co.za/Pages/Email_Legal_Spam_Disclaimer.aspx

NB: This Email and its contents are subject to the Eskom Holdings SOC Ltd EMAIL LEGAL NOTICE which can be viewed at http://www.eskom.co.za/Pages/Email_Legal_Spam_Disclaimer.aspx

Aneesah Alwie

From: John Geeringh <GeerinJH@eskom.co.za>
Sent: Thursday, 27 August 2020 14:29
To: De Aar
Subject: RE: Initial Notification: Proposed De Aar 2 South WEF Associated Infrastructure Developments, Northern Cape Province

A second point to consider is if Eskom has capacity to receive 400kV lines at Hydra substation or if a new substation at 400kV will have to be constructed? Can you please indicate if Eskom has agreed to the proposed connection?

Kind regards

John Geeringh (Pr Sci Nat)(EAPASA)
Senior Consultant Environmental Management
Land and Rights
Eskom Transmission Division
Megawatt Park, D1Y42, Maxwell Drive, Sunninghill, Sandton.
P O Box 1091, Johannesburg, 2000.
Tel: 011 516 7233
Cell: 083 632 7663
Fax: 086 661 4064
E-mail: john.geeringh@eskom.co.za

From: De Aar [mailto:deaar@arcusconsulting.co.za]
Sent: 27 August 2020 01:43 PM
To: De Aar
Subject: Initial Notification: Proposed De Aar 2 South WEF Associated Infrastructure Developments, Northern Cape Province

Dear Interested and Affected Parties

Project Title 1: Proposed Construction of the up to 400 kV De Aar 2 South Transmission Lines and Switching Station, Northern Cape Province and

Project Title 2: Proposed Construction of the up to 400 kV On-Site Substation and Battery Energy Storage System, Northern Cape Province

You have been identified as an **Interested and Affected Party** for the Proposed Development(s), titled above, close to the town of De Aar in the Northern Cape Province. This notification is to inform you that the Applicant, Mulilo De Aar 2 South (Pty) Ltd will be submitting two (2) separate applications to the competent authority, the Department of Environment Forestry and Fisheries, for a decision.

Attached is an Initial Notification Letter and Background Information Document for each Proposed Development. Notification of submission of the Application Form(s) and Draft Report(s) will be sent to all registered Interested and Affected Parties (I&APs). The Draft Basic Assessment Report(s) will be made available on the website: <https://arcusconsulting.co.za/projects/> and for public review and comment once submitted (exact date and location of availability of each application to be confirmed in notification to all registered I&APs).

Should you wish to invite any other person to be registered as an I&AP, please submit their name, interest in the project, email and postal address and telephone number in writing to the below address:

Arcus Consultancy Services South Africa (Pty) Ltd

Arcus Reference : 3457 De Aar 2 South Transmission Lines and Switching Station
Arcus Reference : 3457 De Aar 2 South Substation and Battery Energy Storage System
Person : Aneesah Alwie and Ashleigh Blackwell
Email : deaar@arcusconsulting.co.za
Post Address : Office 607 Cube Workspace, Icon Building, Cnr Long Street and Hans Strijdom Avenue, Cape
Town, 8001
Telephone : +27 21 412 1529

Note: Due to the National COVID-19 Pandemic, measures will be put in place when the Draft Report(s) is available for public review in hard copy.

Thank You

Kind Regards

Aneesah Alwie

Environmental Consultant, South Africa

Tel: +27 (0) 21 412 1529

Arcus Consultancy Services South Africa (Pty) Ltd

Office 607 Cube Workspace
Cnr Long Street and Hans Strijdom Ave
Cape Town
8001

www.arcusconsulting.co.za



NB: This Email and its contents are subject to the Eskom Holdings SOC Ltd EMAIL LEGAL NOTICE which can be viewed at http://www.eskom.co.za/Pages/Email_Legal_Spam_Disclaimer.aspx

Aneesah Alwie

From: De Aar
Sent: Sunday, 13 September 2020 18:51
To: John.geeringh@eskom.co.za
Subject: RE: Initial Notification: Proposed De Aar 2 South WEF Associated Infrastructure Developments, Northern Cape Province

Good Day John

Thank you for your e-mail. You are a registered I&AP and will receive all notifications regarding the applications.

Thank You

Kind Regards

Aneesah Alwie

Environmental Consultant, South Africa

Tel: +27 (0) 21 412 1529

Arcus Consultancy Services South Africa (Pty) Ltd
www.arcusconsulting.co.za

From: John Geeringh <GeerinJH@eskom.co.za>
Sent: Tuesday, 08 September 2020 10:41
To: De Aar <deaar@arcusconsulting.co.za>
Subject: RE: Initial Notification: Proposed De Aar 2 South WEF Associated Infrastructure Developments, Northern Cape Province

Please keep me informed about the progress and documentation regarding this application. I have no specific comments now apart from the questions previously posed and answered by you.

Kind regards

John Geeringh (Pr Sci Nat)(EAPASA)
Senior Consultant Environmental Management
Land and Rights
Eskom Transmission Division
Megawatt Park, D1Y42, Maxwell Drive, Sunninghill, Sandton.
P O Box 1091, Johannesburg, 2000.
Tel: 011 516 7233
Cell: 083 632 7663
Fax: 086 661 4064
E-mail: john.geeringh@eskom.co.za

From: De Aar [<mailto:deaar@arcusconsulting.co.za>]
Sent: 27 August 2020 01:43 PM
To: De Aar

Subject: Initial Notification: Proposed De Aar 2 South WEF Associated Infrastructure Developments, Northern Cape Province

Dear Interested and Affected Parties

Project Title 1: Proposed Construction of the up to 400 kV De Aar 2 South Transmission Lines and Switching Station, Northern Cape Province and

Project Title 2: Proposed Construction of the up to 400 kV On-Site Substation and Battery Energy Storage System, Northern Cape Province

You have been identified as an **Interested and Affected Party** for the Proposed Development(s), titled above, close to the town of De Aar in the Northern Cape Province. This notification is to inform you that the Applicant, Mulilo De Aar 2 South (Pty) Ltd will be submitting two (2) separate applications to the competent authority, the Department of Environment Forestry and Fisheries, for a decision.

Attached is an Initial Notification Letter and Background Information Document for each Proposed Development. Notification of submission of the Application Form(s) and Draft Report(s) will be sent to all registered Interested and Affected Parties (I&APs). The Draft Basic Assessment Report(s) will be made available on the website: <https://arcusconsulting.co.za/projects/> and for public review and comment once submitted (exact date and location of availability of each application to be confirmed in notification to all registered I&APs).

Should you wish to invite any other person to be registered as an I&AP, please submit their name, interest in the project, email and postal address and telephone number in writing to the below address:

Arcus Consultancy Services South Africa (Pty) Ltd

Arcus Reference : 3457 De Aar 2 South Transmission Lines and Switching Station

Arcus Reference : 3457 De Aar 2 South Substation and Battery Energy Storage System

Person : Aneesah Alwie and Ashleigh Blackwell

Email : deaar@arcusconsulting.co.za

Post Address : Office 607 Cube Workspace, Icon Building, Cnr Long Street and Hans Strijdom Avenue, Cape Town, 8001

Telephone : +27 21 412 1529

Note: Due to the National COVID-19 Pandemic, measures will be put in place when the Draft Report(s) is available for public review in hard copy.

Thank You

Kind Regards

Aneesah Alwie

Environmental Consultant, South Africa

Tel: +27 (0) 21 412 1529

Arcus Consultancy Services South Africa (Pty) Ltd

Office 607 Cube Workspace

Cnr Long Street and Hans Strijdom Ave

Cape Town

8001

www.arcusconsulting.co.za



NB: This Email and its contents are subject to the Eskom Holdings SOC Ltd EMAIL LEGAL NOTICE which can be viewed at http://www.eskom.co.za/Pages/Email_Legal_Spam_Disclaimer.aspx

Aneesah Alwie

From: Lizell Stroh <StrohL@caa.co.za>
Sent: Tuesday, 15 September 2020 14:38
To: De Aar
Cc: Gawie Bestbier; Mailbox for WebPage; Doris Khoza; Gugulethu Khanyile; Simphiwe Masilela
Subject: RE: Initial Notification: Proposed De Aar 2 South Associated Infrastructure Developments, Northern Cape Province
Attachments: Pylon Geographic co ordinates.xls

Good day Ashleigh, you would be required to follow the SACAA Obstacle application process for this office, providing the (Comments you require) Approval with Conditions(CAA Process provide) to assist in your proposed project.

<http://www.caa.co.za/Documents/Obstacle%20Application%20Process%2020180105.pdf> process,
<http://www.caa.co.za/Obstacles%20Forms/CA139-27.pdf> application form,
<http://www.caa.co.za/Pages/Obstacles/Urgent-notice.aspx> find fees related to the application,

please feel free contacting the inspectorate if more information are required.

Kind regards



Lizell Stroh
Obstacle Inspector
PANS-OPS Section
Air Navigation Services Department
Tel: +27 11 545 1232 | **Mobile:** +27 083 461 6660
Email: Strohl@caa.co.za | www.caa.co.za

Foll us on    

A promotional banner for the SACAA. On the left is the SACAA logo. The main text reads "The SACAA moving with the times!". Below this, it states: "In line with international requirements, the SACAA is implementing a new centralised reporting system, with the aim of collecting, sharing and analysing safety and security information. This system is in the interest of public transport safety and will be available online, 24 hours a day, 7 days a week, from any device. Keep watching this space and visit our online resources regularly to see the training schedules and to stay informed." On the right, there is an image of hands holding a smartphone. At the bottom, there are icons for various aviation-related services and a call to action: "Join us on this journey to a sustainable and aviation future". Social media links are provided at the bottom: www.caa.co.za, [@SACAA](https://www.linkedin.com/company/sacaa), [@OfficialSACAA](https://www.facebook.com/OfficialSACAA), [OfficialSACAA](https://www.instagram.com/OfficialSACAA), and [South African Civil Aviation Authority – SA](https://www.facebook.com/SouthAfricanCivilAviationAuthority).

The SACAA moving with the times!

In line with international requirements, the SACAA is implementing a new centralised reporting system, with the aim of collecting, sharing and analysing safety and security information.

This system is in the interest of public transport safety and will be available online, 24 hours a day, 7 days a week, from any device.

Keep watching this space and visit our online resources regularly to see the training schedules and to stay informed.

Join us on this journey to a sustainable and aviation future

Keeping you safe in the sky

www.caa.co.za [@SACAA](https://www.linkedin.com/company/sacaa) [@OfficialSACAA](https://www.facebook.com/OfficialSACAA) [OfficialSACAA](https://www.instagram.com/OfficialSACAA) [South African Civil Aviation Authority – SA](https://www.facebook.com/SouthAfricanCivilAviationAuthority)

From: De Aar <deaar@arcusconsulting.co.za>
Sent: Tuesday, 15 September 2020 13:55
To: De Aar <deaar@arcusconsulting.co.za>; Lizell Stroh, this process <StrohL@caa.co.za>
Cc: robertsh@caa.co.za; Gawie Bestbier <BestbierG@caa.co.za>; Mailbox for WebPage <mail@caa.co.za>
Subject: RE: Initial Notification: Proposed De Aar 2 South Associated Infrastructure Developments, Northern Cape

Province

Importance: High

Good Morning Lizell,

I trust that you are well? I am just following up on my pervious email below sent on 24 August 2020.

In accordance with Government Notice No. 648, Government Gazette 45421 of 10 may 2019 (find attached): *6(a) - protocol for the assessment and reporting of environmental impacts on civil aviation installations* - Arcus are required to supply a Civil Aviation Compliance Statement which includes "A comment, in writing, from the South African Civil Aviation Authority (SACAA), which may include inputs from the Obstacle Evaluation Committee (OEC), if appropriate, confirming no unacceptable impact on civil aviation installations".

- For the De Aar 2 South Wind Energy Facility Proposed Grid Connection and Switching Station, the DEA Screening Tool identified the proposed development as having a High Sensitivity with the potential for negative impacts on the civil aviation installation that can potentially be mitigated. In this instance the tool stated that further assessment may be required to investigate potential impacts and mitigation measures.
- De Aar 2 South Wind Energy Facility Proposed Substation and Battery Storage, DEA Screening Tool identified the proposed development as having a Medium Sensitivity with a low potential for negative impacts on the civil aviation installation, and if there are impacts there is a high likelihood of mitigation. In this regard, it is suggested that further assessment of the potential impacts may not be required.

Could you kindly provide us with your written comment for (1) the De Aar 2 South Wind Energy Facility Proposed Grid Connection and Switching Station, as well as (2) De Aar 2 South Wind Energy Facility Proposed Substation and Battery Storage.

Please give me a call should you wish to discuss further.

Kind Regards,

Ashleigh Blackwell

Senior Environmental Assessment Practitioner

Tel: +27 (0) 21 412 1529

Cell: +27 (0) 79 895 1456

Email: AshleighB@arcusconsulting.co.za

Arcus

Office 607 Cube Workspace

Cnr Long Street and Hans Strijdom Ave

Cape Town

8001

www.arcusconsulting.co.za



From: De Aar

Sent: Monday, August 24, 2020 4:43 PM

To: Lizell Stroh <StrohL@caa.co.za>

Subject: Initial Notification: Proposed De Aar 2 South Associated Infrastructure Developments, Northern Cape Province

Dear Stakeholder

Project Title 1: Proposed Construction of the up to 400 kV De Aar 2 South Transmission Lines and Switching Station, Northern Cape Province and
Project Title 2: Proposed Construction of the up to 400 kV On-Site Substation and Battery Energy Storage System, Northern Cape Province

You have been identified as a Stakeholder of the Proposed Development(s), titled above, close to the town of De Aar in the Northern Cape Province. This notification is to inform you that the Applicant, Mulilo De Aar 2 South (Pty) Ltd will be submitting two (2) separate applications to the competent authority, the Department of Environment Forestry and Fisheries, for a decision.

Attached is an Initial Notification Letter and Background Information Document for each Proposed Development. Notification of submission of the Application Form(s) and Draft Report(s) will be sent to all registered Interested and Affected Parties (I&APs). The Draft Basic Assessment Report(s) will be made available on the website: <https://arcusconsulting.co.za/projects/> and for public review and comment once submitted (exact date and location of availability of each application to be confirmed in notification to all registered I&APs).

Civil Aviation is considered a High Sensitivity by the Department of Environment, Forestry and Fisheries Screening Tool. Please can you confirm if a comment will be received from CAA during this initial notification phase.

All correspondence can be submitted as advised below:

Arcus Reference : 3457 De Aar 2 South Transmission Lines and Switching Station
Arcus Reference : 3457 De Aar 2 South Substation and Battery Energy Storage System
Person : Aneesah Alwie and Ashleigh Blackwell
Email : deaar@arcusconsulting.co.za
Post Address : Office 607 Cube Workspace, Icon Building, Cnr Long Street and Hans Strijdom Avenue, Cape Town, 8001
Telephone : +27 21 412 1529

Note: Due to the National COVID-19 Pandemic, measures will be put in place when the Draft Report(s) is available for public review in hard copy.

Thank You

Kind Regards

Aneesah Alwie

Environmental Consultant, South Africa

Tel: +27 (0) 21 412 1529

Arcus Consultancy Services South Africa (Pty) Ltd

Office 607 Cube Workspace
Cnr Long Street and Hans Strijdom Ave
Cape Town
8001

www.arcusconsulting.co.za



This email has been scanned for email related threats and delivered safely by Mimecast.
For more information please visit <http://www.mimecast.com>

Number	Lat_DEG	Lat_MIN	Lat_SEC	Long_DEG	Long_MIN	Long_SEC	Height_m
1							
2							
3							
4							
5							
6							
7							
8							
9							
10							

Aneesah Alwie

From: De Aar
Sent: Thursday, 10 December 2020 15:58
To: John Geeringh
Subject: RE: Notification of the Availability of Draft Basic Assessment Reports for the De Aar 2 South WEF Associated Developments
Attachments: De Aar 2 South Transmission Lines and Switching Station_20201210.kmz; 12 Annex. for Eskom Pty Ltd Properties.pdf

Good Day John

Thank you for the e-mail below.

Mulilo Renewable Project Developments is participating in the Department of Mineral Resources and Energy's Risk Mitigation Independent Power Producer Procurement Programme and is making use of a powerline route that enters Eskom's Hydra Main Transmission Substation near De Aar. To enter Hydra MTS, the powerline for the Mulilo De Aar 2 South project must cross over Eskom land as per the diagram in the attached PDF. I am writing to request an 'in principle' acceptance of the powerline route for bidding purposes.

As requested, please find attached a KMZ of the Proposed De Aar 2 South Transmission Lines and Switching Station.

Please could you provide a letter to confirm that Eskom is happy with the route of the proposed Transmission Lines.

To note, although two lines were assessed (Transmission Line Route 1 and Transmission Line Route 2), the applicant will be applying for authorisation of Transmission Line Route 2 (Part 1 and 2).

Thank You

Kind Regards

Aneesah Alwie

Environmental Consultant, South Africa

Tel: +27 (0) 21 412 1529

Cell: +27 (0) 72 595 0104

Arcus Consultancy Services South Africa (Pty) Ltd

www.arcusconsulting.co.za

From: John Geeringh <GeerinJH@eskom.co.za>
Sent: Tuesday, 24 November 2020 15:15
To: De Aar <deaar@arcusconsulting.co.za>
Subject: RE: Notification of the Availability of Draft Basic Assessment Reports for the De Aar 2 South WEF Associated Developments

Please send the route so that we can check it. Eskom does not register servitudes on our properties if the line belongs to us, so if these lines will belong to Eskom in future it should not be a problem to get a letter from Eskom stating that the line is OK and will belong to Eskom..

Kind regards

John Geeringh

From: De Aar <deaar@arcusconsulting.co.za>

Sent: Tuesday, 24 November 2020 15:05

To: John Geeringh <GeerinJH@eskom.co.za>

Subject: RE: Notification of the Availability of Draft Basic Assessment Reports for the De Aar 2 South WEF Associated Developments

Good Day John,

Thank you for the e-mail as received below.

The **Proposed Construction of the up to 400 kV De Aar 2 South Transmission Lines and Associated Infrastructure, Northern Cape Province**, application for Environmental Authorisation forms part of the Electricity Grid Infrastructure as per GN 113 Central Strategic Transmission Corridor (see GN 113 attached). Paragraph 5 of GN 113 states that “*For applications for environmental authorisation for large scale electricity transmission and distribution facilities contemplated in paragraph 3, routes that have been pre-negotiated with landowners must be submitted as part of such application for environmental authorisation*”. The route of the proposed transmission lines traverses land which is owned by Eskom (provided in Table 1 below).

Can you advise the form in which Eskom provides such pre-negotiations to the Applicant?

Table 1: route of the proposed transmission lines which traverses land owned by Eskom

Name of Landowner	Farm Name	Portion No.	Farm No.	Contact Details
Eskom Holdings Ltd	Wag 'n Bietje	3	5	hardind@eskom.co.za
	Wag 'n Bietjie Annex C	1	137	
	Farm Hydra	RE	144	

Would it be acceptable if the route is sent to Eskom in an email and response is provided to confirm that the route is approved?

Note that the initial public comment period (from the **19 October 2019** to the **17 November 2019 (both days inclusive)**) for the proposed developments as named in the email below was retracted. The applicant is currently preparing to submit a new application to the competent authority which will include a 30 day public comment period, comments received during the initial 30 day comment period will still be used for the resubmission.

Thank You

Kind Regards

Aneesah Alwie

Environmental Consultant, South Africa

Tel: +27 (0) 21 412 1529

Cell: +27 (0) 72 595 0104

Email: AneesahA@arcusconsulting.co.za

Arcus Consultancy Services South Africa (Pty) Ltd
www.arcusconsulting.co.za

From: John Geeringh <GeerinJH@eskom.co.za>

Sent: Thursday, 19 November 2020 14:13

To: De Aar <deaar@arcusconsulting.co.za>

Subject: RE: Notification of the Availability of Draft Basic Assessment Reports for the De Aar 2 South WEF Associated Developments

Please send me KMZ files of the proposed developments. Please find attached Eskom requirements for works at or near Eskom infrastructure, as well as the latest version of the renewable energy development setback guideline including BESS.

Kind regards

John Geeringh (Pr Sci Nat)(EAPASA)
Senior Consultant Environmental Management
Land and Rights
Eskom Transmission Division
Megawatt Park, D1Y42, Maxwell Drive, Sunninghill, Sandton.
P O Box 1091, Johannesburg, 2000.
Tel: 011 516 7233
Cell: 083 632 7663
Fax: 086 661 4064
E-mail: john.geeringh@eskom.co.za

From: De Aar <deaar@arcusconsulting.co.za>

Sent: Monday, 19 October 2020 16:14

To: De Aar <deaar@arcusconsulting.co.za>

Subject: Notification of the Availability of Draft Basic Assessment Reports for the De Aar 2 South WEF Associated Developments

Dear Interested and Affected Party

Notice is hereby given of a Public Participation Process (PPP) to be undertaken in terms of the National Environmental Management Act, 1998 (Act No. 107 of 1998), as amended.

NOTIFICATION OF A NEW BASIC ASSESSMENT PROCESS

APPLICATION 1: FOR THE PROPOSED CONSTRUCTION OF THE UP TO 400 KV DE AAR 2 SOUTH TRANSMISSION LINES AND ASSOCIATED INFRASTRUCTURE, NORTHERN CAPE PROVINCE, FOR ENVIRONMENTAL AUTHORISATION, and APPLICATION 2: FOR THE PROPOSED DE AAR 2 SOUTH WIND ENERGY FACILITY ON-SITE SUBSTATION AND BATTERY ENERGY STORAGE SYSTEM, NORTHERN CAPE PROVINCE

The Draft Basic Assessment Report for Application 1 and 2 (as named above) is available for public comment and review.

The following is available for public review:

APPLICATION 1: FOR THE PROPOSED CONSTRUCTION OF THE UP TO 400 KV DE AAR 2 SOUTH TRANSMISSION LINES AND ASSOCIATED INFRASTRUCTURE, NORTHERN CAPE PROVINCE, FOR ENVIRONMENTAL AUTHORISATION

Volume I - Draft Basic Assessment Report (BAR) for the Proposed Construction of the up to 400 kV De Aar 2 South Transmission Lines And Associated Infrastructure, Northern Cape Province
 Volume II - Specialist Impact Assessment Reports

APPLICATION 2: FOR THE PROPOSED DE AAR 2 SOUTH WIND ENERGY FACILITY ON-SITE SUBSTATION AND BATTERY ENERGY STORAGE SYSTEM, NORTHERN CAPE PROVINCE

Volume I - Draft Basic Assessment Report (BAR) for the Proposed Construction of the up to 400 kV De Aar 2 South Transmission Lines And Associated Infrastructure, Northern Cape Province
 Volume II - Specialist Impact Assessment Reports

Both Application Draft Basic Assessment Reports are available for public review and comment for 30 days from the **19 October 2019** to the **17 November 2019 (both days inclusive)**, at the Longyuan Site Office in De Aar, and website: www.arcusconsulting.co.za: Application 1: <https://arcusconsulting.co.za/projects/proposed-construction-of-the-up-to-400-kv-de-aar-2-south-transmission-lines-corridors-and-switching-station-northern-cape-province-for-environmental-authorisation/> and Application 2: <https://arcusconsulting.co.za/projects/proposed-construction-of-the-de-aar-2-south-wind-energy-facilitys-on-site-substation-and-battery-energy-storage-system-northern-cape-province/> .

Protocol for accessing the BAR at the Longyuan Site Office in De Aar	
Opening Hours	09h00 – 16h00 (by appointment only)
Address	19 Van der Merwe Street, DE AAR, 7000
Contact Person	Beverley Horak
Contact Number	083 793 9254
COVID-19 Safety Measures	No Mask = No Entry Please sanitize before and after use of the BAR

Please find attached the notification letters with further information regarding the availability of the Draft Basic Assessment Reports.

Thank You

Kind Regards

Aneesah Alwie
 Environmental Consultant, South Africa

Tel: +27 (0) 21 412 1529
 Cell: +27 (0) 72 595 0104
 Email: deaar@arcusconsulting.co.za

Arcus Consultancy Services South Africa (Pty) Ltd
 Office 607 Cube Workspace
 Cnr Long Street and Hans Strijdom Ave
 Cape Town
 8001

www.arcusconsulting.co.za



NB: This Email and its contents are subject to the Eskom Holdings SOC Ltd EMAIL LEGAL NOTICE which can be viewed at http://www.eskom.co.za/Pages/Email_Legal_Spam_Disclaimer.aspx

NB: This Email and its contents are subject to the Eskom Holdings SOC Ltd EMAIL LEGAL NOTICE which can be viewed at http://www.eskom.co.za/Pages/Email_Legal_Spam_Disclaimer.aspx

	<p style="text-align: center;">SCOT</p>	<p style="text-align: center;">Technology</p>
---	--	--

Title: **Renewable Energy Generation Plant Setbacks to Eskom Infrastructure** Unique Identifier: **240-65559775**

Alternative Reference Number: **N/A**

Area of Applicability: **Power Line Engineering**



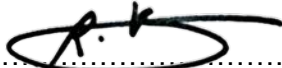
Documentation Type: **Guideline**

Revision: **2**

Total Pages: **9**

Next Review Date: **N/A**

Disclosure Classification: **CONTROLLED DISCLOSURE**

Compiled by	Approved by	Authorised by
		
J W Chetty Mechanical Engineer	B Ntshuntsha Chief Engineer (Lines)	R A Vajeth Snr Manager (Lines) and SCOT/SC/ Chairperson
Date: <u>15 / 09 / 2020</u>	Date: <u>30/10/2020</u>	Date: <u>30/10/2020</u>

CONTENTS

	Page
EXECUTIVE SUMMARY	3
1. INTRODUCTION	4
2. SUPPORTING CLAUSES	4
2.1 SCOPE	4
2.1.1 Purpose	5
2.1.2 Applicability	5
2.2 NORMATIVE/INFORMATIVE REFERENCES	5
2.2.1 Normative	5
2.2.2 Informative	5
2.3 DEFINITIONS	6
2.3.1 Disclosure Classification	6
2.4 ABBREVIATIONS	6
2.5 ROLES AND RESPONSIBILITIES	6
2.6 PROCESS FOR MONITORING	6
2.7 RELATED/SUPPORTING DOCUMENTS	6
3. DOCUMENT CONTENT	6
3.1 INTERNATIONAL SETBACK COMPARISON	6
3.2 ESKOM REQUIRED SETBACKS	7
4. AUTHORISATION	9
5. REVISIONS	9
6. DEVELOPMENT TEAM	9

FIGURES

Figure 1: Horizontal Axis Wind Turbine	8
--	---

CONTROLLED DISCLOSURE

When downloaded from the EDMS, this document is uncontrolled and the responsibility rests with the user to ensure it is in line with the authorised version on the system.

EXECUTIVE SUMMARY

In recent decades, the use of wind turbines, concentrated solar plants and photovoltaic plants have been on the increase as it serves as an abundant source of energy. This document specifies proposed setbacks for wind turbines and the reasons for these setbacks from infrastructure as well as setbacks for concentrated solar plants and photovoltaic plants. Setbacks for wind turbines employed in other countries were compared and a general setback to be used by Eskom was suggested for use with wind turbines and other renewable energy generation plants.

CONTROLLED DISCLOSURE

When downloaded from the EDMS, this document is uncontrolled and the responsibility rests with the user to ensure it is in line with the authorised version on the system.

1. INTRODUCTION

During the last few decades, a large amount of wind turbines have been installed in wind farms to accommodate for the large demand of energy and depleting fossil fuels. Wind is one of the most abundant sources of renewable energy. Wind turbines harness the energy of this renewable resource for integration in electricity networks. The extraction of wind energy is its primary function and thus the aerodynamics of the wind turbine is important. There are many different types of wind turbines which will all exhibit different wind flow characteristics. The most common wind turbine used commercially is the Horizontal Axis Wind Turbine. Wind flow characteristics of this turbine are important to analyse as it may have an effect on surrounding infrastructure.

Wind turbines also cause large turbulence downwind that may affect existing infrastructure. Debris or parts of the turbine blade, in the case of a failure, may be tossed behind the turbine and may lead to damage of infrastructure in the wake path.

This document outlines the minimum distances that need to be introduced between a wind turbine and Eskom infrastructure to ensure that debris and / or turbulence would not negatively impact on the infrastructure and future expansion of infrastructure (lines and substation) as per the long term planning scenario.

Safety distances of wind turbines from other structures as implemented by other countries were also considered and the reasons for their selection were noted. All renewable energy developments are approved by The Department of Environmental Affairs, Forestry and Fisheries (DEFF) in terms of NEMA. The DEFF is aware of the setbacks guideline, however they cannot use it in terms of decision making since the setbacks document has no legal standing in SA and it would be outside of their mandate who have been advised to follow the guidelines herein.

Concentrated solar plants and photovoltaic plants setbacks away from substations were also to be considered to prevent restricting possible power line access routes to the substation and possible expansion of substations.

2. SUPPORTING CLAUSES

2.1 SCOPE

This document provides guidance on the safe distance that a wind turbine should be located from any Eskom power line or substation. Although it is not based on any legislative requirement, it is deemed important that Eskom's infrastructure and future network expansion planning is not impeded. The document specifies proposed setback distances for transmission lines (220 kV to 765 kV), distribution lines

CONTROLLED DISCLOSURE

(66 kV to 132 kV) and all Eskom substations. Proposed setbacks for concentrated solar plants and photovoltaic plants are also specified away from substations.

2.1.1 Purpose

Setbacks for wind turbines and power lines / substations are required for various reasons. These include possible catastrophic failure of the turbine blade that may release fragments and which may be thrown onto nearby power lines that may result in damage with associated unplanned outages. Turbulence behind the turbine may affect helicopter flight during routine Eskom live line maintenance and inspections that may lead to safety risk of the aircraft / personnel. Concentrated solar plants and photovoltaic plants setback away from substations were required to prevent substations from being boxed in by these renewable generation plants limiting line route access to the substations and possible future substation expansion.

2.1.2 Applicability

This document is applicable to the siting of all new and existing wind turbines, concentrated solar plants and photovoltaic plants near power lines and substations and in line of site between Eskom telecommunication infrastructure, including future Eskom renewable energy development.

2.2 NORMATIVE/INFORMATIVE REFERENCES

2.2.1 Normative

1. <http://www.envir.ee/orb.aw/class=file/action=preview/id=1170403/Hiiumaa+turbulence+impact+EMD.pdf>.
2. <http://www.energy.ca.gov/2005publications/CEC-500-2005-184/CEC-500-2005-184.PDF>
3. <http://www.adamscountywind.com/Revised%20Site/Windmills/Adams%20County%20Ordinance/Adams%20County%20Wind%20Ord.htm>
4. http://www.dsireusa.org/incentives/incentive.cfm?Incentive_Code=PA11R&RE=1&EE=1
5. <http://www.wind-watch.org/documents/european-setbacks-minimum-distance-between-wind-turbines-and-habitations/>
6. <http://www.publications.parliament.uk/pa/ld201011/ldbills/017/11017.1-i.html>
7. http://www.caw.ca/assets/pdf/Turbine_Safety_Report.pdf
8. Rogers J, Slegers N, Costello M. (2011) A method for defining wind turbine setback standards. Wind energy 10.1002/we.468

2.2.2 Informative

None

CONTROLLED DISCLOSURE

When downloaded from the EDMS, this document is uncontrolled and the responsibility rests with the user to ensure it is in line with the authorised version on the system.

2.3 DEFINITIONS

Definition	Description
Setback	The minimum distance between a wind turbine and boundary line/dwelling/road/infrastructure/servitude etc.
Flicker	Effect caused when rotating wind turbine blades periodically cast shadows
Tip Height	The total height of the wind turbine ie. Hub height plus half rotor diameter (see Figure1)

2.3.1 Disclosure Classification

Controlled disclosure: controlled disclosure to external parties (either enforced by law, or discretionary).

2.4 ABBREVIATIONS

Abbreviation	Description
None	

2.5 ROLES AND RESPONSIBILITIES

All parties involved in the positioning wind turbines, concentrated solar plants and photovoltaic plants near power lines/substations should endeavour to follow the setbacks outlined in this guideline.

2.6 PROCESS FOR MONITORING

Agreement by Eskom in writing on any encroachment of the setbacks distance should be requested via the Grid Access Unit. Eskom should ensure that every application for renewable energy (RE) developments are informed about the existence of the setbacks document early in the RE planning process to ensure maximum effect. This includes Eskom RE development.

2.7 RELATED/SUPPORTING DOCUMENTS

None

3. DOCUMENT CONTENT

3.1 INTERNATIONAL SETBACK COMPARISON

Wind Turbine setbacks employed by various countries were considered. It was found that setbacks were determined for various reasons that include noise, flicker, turbine blade failure and wind effects as well as

CONTROLLED DISCLOSURE

future network expansion planning. The distances (setbacks) varied based on these factors and were influenced by the type of infrastructure

Wind turbine setbacks varied for roads, power lines, dwellings, buildings and property and it was noted that the largest setbacks were employed for reasons of noise and flicker related issues [1-7]. Very few countries specified setbacks for power lines.

The literature survey [1-7], yielded information about studies and experiments were conducted to determine the distance that a broken fragment from a wind turbine might be thrown. Even though of low probability of hitting a power line [5.0×10^{-5} ^[8]], the distances recorded were significant [750m ^[8]]

Wind turbines may also cause changes in wind patterns with turbulent effects behind the hub. These factors influence the wind turbine setbacks specified in this document.

Setbacks were thus introduced to prevent any damage to Eskom infrastructure and impedance to operation and future network expansion planning.

Renewable energy plant can also limit access into substations for power lines of all voltages. A setback distance should therefore be employed to prevent substations from being boxed in by these generation plants and preventing future network expansion. These setback distances are specified in this document.

3.2 ESKOM RECOMMENDED SETBACKS

Any renewable energy applicant should engage with Eskom to determine if their plant layout or positioning of turbines, CSP or PV infrastructure would encroach on the proposed setbacks provided for in this guideline and to ensure that their planning and Eskom's future expansion planning is taken into account. Eskom must inform all renewable energy developers, including Eskom RE, of the existence of the setbacks guideline early in the development process. Should there be an encroachment, a formal request should be sent to and accepted by Eskom in writing if any of the below mentioned setback distances are infringed upon:

- Eskom requests a setback distance of 3 times the tip height of the wind turbine from the edge of the closest Eskom servitude (including vacant servitudes) for transmission lines (220kV to 765kV) and Substations.
- Eskom requests a setback distance of 1 times the tip height of the wind turbine from the edge of the closest Eskom servitude (including vacant servitudes) for distribution lines (66 kV to 132 kV) and Substations.

CONTROLLED DISCLOSURE

- A written request should be sent to Eskom via the Grid Access Unit regarding any proposed wind turbine, concentrated solar plants and photovoltaic activity within a 5 km radius of a substation for Eskom to comment on.
- Where concentrated solar plants, photovoltaic structures, battery storage systems (BESS) and other renewable generation plants fall within a 2 km radius of the closest point of a transmission or distribution substation (66kV to 765kV), a written agreement with Eskom is recommended during the planning phase of such plant or structures to ensure Eskom's future planning is not impeded.
- Applicants should not position any wind turbine in the line of site between and two Eskom Radio Telecommunication masts. It should be proven that Eskom radio telecommunication systems (mainly microwave systems) will not be affected in any way by wind turbines due to the criticality of this infrastructure in terms of network operation. Eskom Telecommunications should be engaged on this matter.
- If the position or size of any turbine changes and subsequently infringes on any of the above stated setbacks, a request for relaxation must be sent through to Eskom as per the point mentioned above.

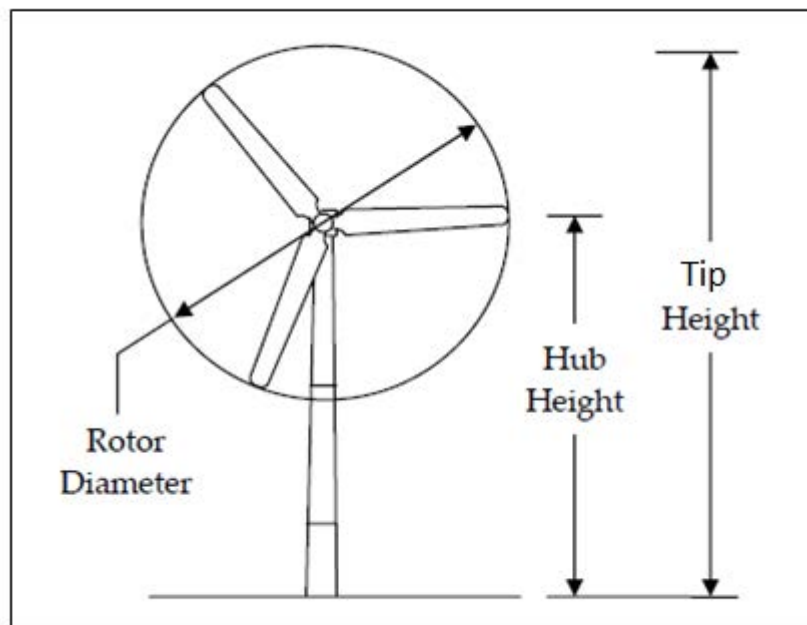


Figure 1: Horizontal Axis Wind Turbine [2]

CONTROLLED DISCLOSURE

4. AUTHORISATION

This document has been seen and accepted by:

Name & Surname	Designation
V Naidoo	Chief Engineer
Dr P Pretorius	Electrical Specialist
J Geeringh	Snr Consultant Environ Mngt
B Haridass	Snr Consultant Engineer
B Ntshunsha	Chief Engineer
R Vajeth	Snr Manager (Lines)
D A Tunncliff	Snr Manager L&R (Acting)
B Branfield	Snr Consultant Engineer

5. REVISIONS

Date	Rev.	Compiler	Remarks
November 2013	0	J W Chetty	First Publication - No renewable energy generation plant setback specification in existence.
October 2018	1	JW Chetty	Modification to sub-section 3.2 to provide more clarity for application procedure.
June 2020	2	JW Chetty	Content within the guideline was re-worded to explain the benefits of mutual agreements between the applicants and ESKOM rather than the application being a legal obligation.

6. DEVELOPMENT TEAM

The following people were involved in the development of this document:

Jonathan Chetty (Mechanical Engineer)

Vivendhra Naidoo (Chief Engineer)

Dr Pieter Pretorius (Electrical Specialist)

John Geeringh (Snr Consultant Environ Mngt)

Bharat Haridass (Snr Consultant Engineer)

Riaz Vajeth (Snr Manager (Lines))

Bruce Ntshunsha (Chief Engineer)

David Tunncliff (Snr Manager L&R Acting)

CONTROLLED DISCLOSURE

TO WHOM IT MAY CONCERN

Eskom requirements for work in or near Eskom servitudes.

1. Eskom's rights and services must be acknowledged and respected at all times.
2. Eskom shall at all times retain unobstructed access to and egress from its servitudes.
3. Eskom's consent does not relieve the developer from obtaining the necessary statutory, land owner or municipal approvals.
4. Any cost incurred by Eskom as a result of non-compliance to any relevant environmental legislation will be charged to the developer.
5. If Eskom has to incur any expenditure in order to comply with statutory clearances or other regulations as a result of the developer's activities or because of the presence of his equipment or installation within the servitude restriction area, the developer shall pay such costs to Eskom on demand.
6. The use of explosives of any type within 500 metres of Eskom's services shall only occur with Eskom's previous written permission. If such permission is granted the developer must give at least fourteen working days prior notice of the commencement of blasting. This allows time for arrangements to be made for supervision and/or precautionary instructions to be issued in terms of the blasting process. It is advisable to make application separately in this regard.
7. Changes in ground level may not infringe statutory ground to conductor clearances or statutory visibility clearances. After any changes in ground level, the surface shall be rehabilitated and stabilised so as to prevent erosion. The measures taken shall be to Eskom's satisfaction.
8. Eskom shall not be liable for the death of or injury to any person or for the loss of or damage to any property whether as a result of the encroachment or of the use of the servitude area by the developer, his/her agent, contractors, employees, successors in title, and assignees. The developer indemnifies Eskom against loss, claims or damages including claims pertaining to consequential damages by third parties and whether as a result of damage to or interruption of or interference with Eskom's services or apparatus or otherwise. Eskom will not be held responsible for damage to the developer's equipment.
9. No mechanical equipment, including mechanical excavators or high lifting machinery, shall be used in the vicinity of Eskom's apparatus and/or services, without prior written permission having been granted by Eskom. If such permission is granted the developer must give at least seven working days' notice prior to the commencement of work. This allows time for arrangements to be made for supervision and/or precautionary instructions to be issued by the relevant Eskom Manager

Note: Where and electrical outage is required, at least fourteen work days are required to arrange it.

10. Eskom's rights and duties in the servitude shall be accepted as having prior right at all times and shall not be obstructed or interfered with.
11. Under no circumstances shall rubble, earth or other material be dumped within the servitude restriction area. The developer shall maintain the area concerned to Eskom's satisfaction. The developer shall be liable to Eskom for the cost of any remedial action which has to be carried out by Eskom.
12. The clearances between Eskom's live electrical equipment and the proposed construction work shall be observed as stipulated by *Regulation 15 of the Electrical Machinery Regulations of the Occupational Health and Safety Act, 1993 (Act 85 of 1993)*.
13. Equipment shall be regarded electrically live and therefore dangerous at all times.
14. In spite of the restrictions stipulated by Regulation 15 of the Electrical Machinery Regulations of the Occupational Health and Safety Act, 1993 (Act 85 of 1993), as an additional safety precaution, Eskom will not approve the erection of houses, or structures occupied or frequented by human beings, under the power lines or within the servitude restriction area.
15. Eskom may stipulate any additional requirements to highlight any possible exposure to Customers or Public to coming into contact or be exposed to any dangers of Eskom plant.
16. It is required of the developer to familiarise himself with all safety hazards related to Electrical plant.
17. Any third party servitudes encroaching on Eskom servitudes shall be registered against Eskom's title deed at the developer's own cost. If such a servitude is brought into being, its existence should be endorsed on the Eskom servitude deed concerned, while the third party's servitude deed must also include the rights of the affected Eskom servitude.

John Geeringh (Pr Sci Nat)(EAPASA)
Senior Consultant Environmental Management
Eskom Transmission Division: Land & Rights
Megawatt Park, D1Y42, Maxwell Drive, Sunninghill, Sandton.
P O Box 1091, Johannesburg, 2000.
Tel: 011 516 7233
Cell: 083 632 7663
Fax: 086 661 4064
E-mail: john.geeringh@eskom.co.za

Aneesah Alwie

From: De Aar
Sent: Wednesday, 24 February 2021 13:39
To: John Geeringh
Subject: RE: Letter of consent to cross Eskom property Hydra Subs.pdf

Good Day John,

Thank you for the letter. I will send it on to the client. It looks correct to me.

Notification will be sent to all I&APs once the application is submitted to the Competent Authority.

Thank You

Kind Regards

Aneesah Alwie

Environmental Consultant, South Africa

Tel: +27 (0) 21 412 1529

Cell: +27 (0) 72 595 0104

Email: AneesahA@arcusconsulting.co.za

Arcus Consultancy Services South Africa (Pty) Ltd

www.arcusconsulting.co.za

From: John Geeringh <GeerinJH@eskom.co.za>
Sent: Wednesday, 24 February 2021 10:53
To: Aneesah Alwie <AneesahA@arcusconsulting.co.za>
Subject: FW: Letter of consent to cross Eskom property Hydra Subs.pdf

Here is the letter, sorry for all the delays.

Regards

John

From: Michael Taffa <TaffaMM@eskom.co.za>
Sent: Wednesday, 24 February 2021 10:19
To: John Geeringh <GeerinJH@eskom.co.za>
Subject: Letter of consent to cross Eskom property Hydra Subs.pdf

Hi John

Attached is the requested letter.

Regards

Mike

Protect yourself and others from Covid-19; Follow these steps

Wear a 3 layered cloth mask

Maintain 2m social distance at all times

Wash hands frequently with soap or sanitize with alcohol based hand rub

Take care, reduce your risk, remain vigilant at all times and stay safe

Eskom

www.eskom.co.za

f

Twitter

Instagram

YouTube

NB: This Email and its contents are subject to the Eskom Holdings SOC Ltd EMAIL LEGAL NOTICE which can be viewed at http://www.eskom.co.za/Pages/Email_Legal_Spam_Disclaimer.aspx

Aneesah Alwie

From: De Aar
Sent: Monday, 19 October 2020 18:09
To: Natasha Higgitt
Subject: RE: Notification of the Availability of Draft Basic Assessment Reports for the De Aar 2 South WEF Associated Developments

Dear Natasha

Application 1: For The Proposed Construction of the up to 400 kV De Aar 2 South Transmission Lines And Associated Infrastructure, Northern Cape Province, for Environmental Authorisation, has been uploaded onto the SAHRIS website for the Statutory Comment as Required.

Please do not hesitate to contact me should you have any questions regarding.

Thank You

Kind Regards

Aneesah Alwie

Environmental Consultant, South Africa

Tel: +27 (0) 21 412 1529

Cell: +27 (0) 72 595 0104

Email: AneesahA@arcusconsulting.co.za

Arcus Consultancy Services South Africa (Pty) Ltd

www.arcusconsulting.co.za

From: Natasha Higgitt <nhiggitt@sahra.org.za>
Sent: Monday, 19 October 2020 16:15
To: De Aar <deaar@arcusconsulting.co.za>
Subject: RE: Notification of the Availability of Draft Basic Assessment Reports for the De Aar 2 South WEF Associated Developments

Good afternoon,

Please note that all development applications are processed via our online portal, the South African Heritage Resources Information System (SAHRIS) found at the following link: <http://sahra.org.za/sahris/>. We do not accept emailed, posted, hardcopy, faxed, website links or DropBox links as official submissions.

Please create an application on SAHRIS and upload all documents pertaining to the Environmental Authorisation Application Process. As per section 38(8) of the National Heritage Resources Act, Act 25 of 1999 (NHRA), an assessment of heritage resources must form part of the process and the assessment must comply with section 38(3) of the NHRA.

Once all documents including all appendices are uploaded to the case application, please ensure that the status of the case is changed from DRAFT to SUBMITTED. Please ensure that all documents produced as part of the EA process are submitted as part of the application.

From: De Aar <deaar@arcusconsulting.co.za>

Sent: Monday, 19 October 2020 16:14

To: De Aar <deaar@arcusconsulting.co.za>

Subject: Notification of the Availability of Draft Basic Assessment Reports for the De Aar 2 South WEF Associated Developments

Dear Interested and Affected Party

Notice is hereby given of a Public Participation Process (PPP) to be undertaken in terms of the National Environmental Management Act, 1998 (Act No. 107 of 1998), as amended.

NOTIFICATION OF A NEW BASIC ASSESSMENT PROCESS

APPLICATION 1: FOR THE PROPOSED CONSTRUCTION OF THE UP TO 400 KV DE AAR 2 SOUTH TRANSMISSION LINES AND ASSOCIATED INFRASTRUCTURE, NORTHERN CAPE PROVINCE, FOR ENVIRONMENTAL AUTHORISATION, and APPLICATION 2: FOR THE PROPOSED DE AAR 2 SOUTH WIND ENERGY FACILITY ON-SITE SUBSTATION AND BATTERY ENERGY STORAGE SYSTEM, NORTHERN CAPE PROVINCE

The Draft Basic Assessment Report for Application 1 and 2 (as named above) is available for public comment and review.

The following is available for public review:

APPLICATION 1: FOR THE PROPOSED CONSTRUCTION OF THE UP TO 400 KV DE AAR 2 SOUTH TRANSMISSION LINES AND ASSOCIATED INFRASTRUCTURE, NORTHERN CAPE PROVINCE, FOR ENVIRONMENTAL AUTHORISATION

Volume I - Draft Basic Assessment Report (BAR) for the Proposed Construction of the up to 400 kV De Aar 2 South Transmission Lines And Associated Infrastructure, Northern Cape Province

Volume II - Specialist Impact Assessment Reports

APPLICATION 2: FOR THE PROPOSED DE AAR 2 SOUTH WIND ENERGY FACILITY ON-SITE SUBSTATION AND BATTERY ENERGY STORAGE SYSTEM, NORTHERN CAPE PROVINCE

Volume I - Draft Basic Assessment Report (BAR) for the Proposed Construction of the up to 400 kV De Aar 2 South Transmission Lines And Associated Infrastructure, Northern Cape Province

Volume II - Specialist Impact Assessment Reports

Both Application Draft Basic Assessment Reports are available for public review and comment for 30 days from the **19 October 2019** to the **17 November 2019 (both days inclusive)**, at the Longyuan Site Office in De Aar, and website:

www.arcusconsulting.co.za: Application 1: <https://arcusconsulting.co.za/projects/proposed-construction-of-the-up-to-400-kv-de-aar-2-south-transmission-lines-corridors-and-switching-station-northern-cape-province-for-environmental-authorisation/> and Application 2: <https://arcusconsulting.co.za/projects/proposed-construction-of-the-de-aar-2-south-wind-energy-facilitys-on-site-substation-and-battery-energy-storage-system-northern-cape-province/> .

Protocol for accessing the BAR at the Longyuan Site Office in De Aar	
Opening Hours	09h00 – 16h00 (by appointment only)
Address	19 Van der Merwe Street, DE AAR, 7000
Contact Person	Beverley Horak
Contact Number	083 793 9254
COVID-19 Safety Measures	No Mask = No Entry Please sanitize before and after use of the BAR

Please find attached the notification letters with further information regarding the availability of the Draft Basic Assessment Reports.

Thank You

Kind Regards

Aneesah Alwie

Environmental Consultant, South Africa

Tel: +27 (0) 21 412 1529

Cell: +27 (0) 72 595 0104

Email: deaar@arcusconsulting.co.za

Arcus Consultancy Services South Africa (Pty) Ltd

Office 607 Cube Workspace

Cnr Long Street and Hans Strijdom Ave

Cape Town

8001

www.arcusconsulting.co.za



Natasha Higgitt

Heritage Officer: Archaeology, Palaeontology and Meteorites Unit

South African Heritage Resources Agency

- *A nation united through heritage* -

T: +27 21 462 4502/ 8660 | C:+27 82 507 0378 | F:+27 21 462 4509

E: nhiggitt@sahra.org.za | 111 Harrington Street | Cape Town |

www.sahra.org.za



an agency of the
Department of Arts and Culture

OUR VALUES: *Accountability, Teamwork & co-operation, Respect, Transparency, Service Excellency, Integrity & Ethics, Professionalism, Accessibility, Communication & Trust.*

BREAK THE CORRUPTION CHAIN
REPORT FRAUD & CORRUPTION: 0800 701 701



PROPOSED CONSTRUCTION OF THE UP TO 400 kV DE AAR 2 SOUTH TRANSMISSION LINES AND SWITCHING STATION, NORTHERN CAPE PROVINCE

Our Ref:



an agency of the
Department of Arts and Culture

T: +27 21 462 4502 | F: +27 21 462 4509 | E: info@sahra.org.za
South African Heritage Resources Agency | 111 Harrington Street | Cape Town
P.O. Box 4637 | Cape Town | 8001
www.sahra.org.za

Enquiries: Natasha Higgitt
Tel: 021 462 4502
Email: nhiggitt@sahra.org.za
CaseID: 15647

Date: Thursday November 12, 2020
Page No: 1

Final Comment

In terms of Section 38(4), 38(8) of the National Heritage Resources Act (Act 25 of 1999)

Attention: Mulilo De Aar 2 South (Pty) Ltd

A basic assessment process is being followed for environmental authorisation (EA). The draft application has been submitted to the Department of Environment, Forestry and Fisheries (Competent Authority). The EA is being applied for the proposed development of up to 400 kV transmission lines and a switching station located approximately 15 to 26 km east of the town of De Aar, Northern Cape Province.

Arcus Consultancy Services South Africa (Pty) Ltd has been appointed by Mulilo De Aar 2 South (Pty) Ltd to conduct an Environmental Authorisation (EA) Application process for the proposed construction of a 400kV Transmission Line and Switching Station near De Aar, Northern Cape Province.

A draft Basic Assessment Report (DBAR) has been submitted in terms of the National Environmental Management Act, no 107 of 1998 (NEMA) and the 2017 NEMA Environmental Impact Assessment (EIA) Regulations. The proposed development will include 400kv transmission lines between the authorised De Aar 2 South Wind Energy Facility and the existing Eskom Hydra Substation. A corridor of 200 m and two route options (23 km and 30 km) was assessed.

ACO Associates cc have been appointed to provide heritage specialist input as part of the EA application report as required by section 24(4)b(iii) of NEMA and section 38(3) and 38(8) of the National Heritage Resources Act, Act 25 of 1999 (NHRA).

Bamford, M. 2020. Palaeontological Impact Assessment for the proposed Mulilo De Aar grid connections, Northern Cape Province.

The proposed routes are underlain by the Permian Karoo sediments, unfossiliferous Jurassic Dolerites and Quaternary sands. Parts of Route 2 option 2 part (and Route 1) are underlain by Quaternary sands and Adelaide Subgroup rocks, the latter may contain fossils of vertebrates and silicified wood. Route option 2 part 1 is underlain by the Tierberg formation that may contain trace fossils and wood fragments. As the foundations of the monopole or lattice tower structures will have a small impact footprint, the significance of the impact of the development would be small. A Fossil Chance Finds Protocol should be added to the EMPr and is

PROPOSED CONSTRUCTION OF THE UP TO 400 kV DE AAR 2 SOUTH TRANSMISSION LINES AND SWITCHING STATION, NORTHERN CAPE PROVINCE

Our Ref:



an agency of the
Department of Arts and Culture

T: +27 21 462 4502 | F: +27 21 462 4509 | E: info@sahra.org.za
South African Heritage Resources Agency | 111 Harrington Street | Cape Town
P.O. Box 4637 | Cape Town | 8001
www.sahra.org.za

Enquiries: Natasha Higgitt
Tel: 021 462 4502
Email: nhiggitt@sahra.org.za
CaseID: 15647

Date: Thursday November 12, 2020
Page No: 2

provided in the report.

Gribble, J and Euston-Brown, G. 2020. Heritage Impact Assessment: Proposed Grid Connection for the De Aar 2 South Wind Energy Facility, De Aar, Northern Cape.

It is noted that some sections of the proposed routes could not be surveyed due to access constraints. A total of 113 heritage resources were identified within the proposed route. These include Middle and Later Stone Age artefacts scatters, one pottery sherd, circular stone packed kraals and features, an engraves boulder (possibly modern), historical artefacts scatters that include ceramics, glass and metal, British shovel head, and a stone packed "wolwehok. A total of 13 heritage resources were rated as having a Grade 3A significance rating, while the others were of lower heritage significance.

Recommendations provided in the report include the following:

- The archaeological assessment recommended that three archaeological sites require mitigation prior to the commencement of construction of the grid connections. These include JG050-JG052/GEB013-GEB014, JG067-JG072/GEB025 and JG077. It is recommended that the mitigation take the form of the mapping, recording and collection by the archaeologist of exposed artefactual material prior to the commencement of any activities related to the installation of the grid connections;
- A 40 m no-go buffer must be adhered to around sites JG040; JG064; JG066; JG081-JG090;
- A 20 m no-go buffer must be adhered around sites JG036 and JG044;
- Lastly, the archaeologist must review the positions of the individual pylons once these have been determined, to ensure that they will not impact on any recorded heritage resources. The micro-siting of pylon positions may be required, which should also be done in consultation with the archaeologist;
- A Chance Finds Procedure is recommended to be implemented.

Final Comment

The following comments are made as a requirement in terms of section 3(4) of the NEMA Regulations and section 38(8) of the NHRA in the format provided in section 38(4) of the NHRA and must be included in the Final BAR and EMP:

- 38(4)a – The SAHRA Archaeology, Palaeontology and Meteorites (APM) Unit has no objections to the

PROPOSED CONSTRUCTION OF THE UP TO 400 kV DE AAR 2 SOUTH TRANSMISSION LINES AND SWITCHING STATION, NORTHERN CAPE PROVINCE

Our Ref:



an agency of the
Department of Arts and Culture

T: +27 21 462 4502 | F: +27 21 462 4509 | E: info@sahra.org.za
South African Heritage Resources Agency | 111 Harrington Street | Cape Town
P.O. Box 4637 | Cape Town | 8001
www.sahra.org.za

Enquiries: Natasha Higgitt
Tel: 021 462 4502
Email: nhiggitt@sahra.org.za

Date: Thursday November 12, 2020

Page No: 3

CaseID: 15647

proposed amendment of the authorised development;

- 38(4)b – The recommendations of the specialists are supported and must be adhered to. Further additional specific conditions are provided for the development as follows:
- The buffers recommended by the specialist must be adhered to. Should it not be possible to avoid the identified heritage resources, a permit in terms of section 35 of the NHRA must be applied for from SAHRA prior to the construction phase. No mitigation work may commence without a permit issued in this regard.
- Permits in terms of section 35 of the NHRA must be applied for the recommended mitigation work for sites JG050-JG052/GEB013-GEB014, JG067–JG072/GEB025 and JG077 prior to construction;
- The recommended walk-down of the micro-siting of pylons must be submitted to SAHRA for review and comment. No construction may commence without comment from SAHRA in this regard;
- A Heritage Management Plan (HMP) must be developed in order to manage the in-situ heritage resources for the construction, operation and decommissioning phases of the development;
- 38(4)c(i) – If any evidence of archaeological sites or remains (e.g. remnants of stone-made structures, indigenous ceramics, bones, stone artefacts, ostrich eggshell fragments, charcoal and ash concentrations), fossils or other categories of heritage resources are found during the proposed development, SAHRA APM Unit (Natasha Higgitt/Phillip Hine 021 462 5402) must be alerted as per section 35(3) of the NHRA. Non-compliance with section of the NHRA is an offense in terms of section 51(1)e of the NHRA and item 5 of the Schedule;
- 38(4)c(ii) – If unmarked human burials are uncovered, the SAHRA Burial Grounds and Graves (BGG) Unit (Thingahangwi Tshivhase/Mimi Seetelo 012 320 8490), must be alerted immediately as per section 36(6) of the NHRA. Non-compliance with section of the NHRA is an offense in terms of section 51(1)e of the NHRA and item 5 of the Schedule;
- 38(4)d – See section 51(1) of the NHRA;
- 38(4)e – The following conditions apply with regards to the appointment of specialists:
 - i) If heritage resources are uncovered during the course of the development, a professional archaeologist or palaeontologist, depending on the nature of the finds, must be contracted as soon as possible to inspect the heritage resource. If the newly discovered heritage resources prove to be of archaeological or palaeontological significance, a Phase 2 rescue operation may be required subject to permits issued by SAHRA;
- The Final BAR and EMP must be submitted to SAHRA for record purposes;
- The decision regarding the EA Application must be communicated to SAHRA and uploaded to the SAHRIS Case application.

Should you have any further queries, please contact the designated official using the case number quoted

PROPOSED CONSTRUCTION OF THE UP TO 400 kV DE AAR 2 SOUTH TRANSMISSION LINES AND SWITCHING STATION, NORTHERN CAPE PROVINCE

Our Ref:



an agency of the
Department of Arts and Culture

T: +27 21 462 4502 | F: +27 21 462 4509 | E: info@sahra.org.za
South African Heritage Resources Agency | 111 Harrington Street | Cape Town
P.O. Box 4637 | Cape Town | 8001
www.sahra.org.za

Enquiries: Natasha Higgitt
Tel: 021 462 4502
Email: nhiggitt@sahra.org.za
CaseID: 15647

Date: Thursday November 12, 2020
Page No: 4

above in the case header.

Yours faithfully

Natasha Higgitt
Heritage Officer
South African Heritage Resources Agency

Phillip Hine
Manager: Archaeology, Palaeontology and Meteorites Unit
South African Heritage Resources Agency

ADMIN:

Direct URL to case: <http://www.sahra.org.za/node/542380>
(DEA, Ref: TBC)

Terms & Conditions:

1. This approval does not exonerate the applicant from obtaining local authority approval or any other necessary approval for proposed work.
2. If any heritage resources, including graves or human remains, are encountered they must be reported to SAHRA immediately.
3. SAHRA reserves the right to request additional information as required.

Aneesah Alwie

From: Seoka Lekota <SLekota@environment.gov.za>
Sent: Tuesday, 17 November 2020 23:32
To: De Aar
Cc: Aulicia Maifo; Portia Makitla
Subject: PROPOSED CONSTRUCTION OF UP TO 400kV DE AAR 2 SOUTH TRANSMISSION LINES AND SWITCHING STATION, NORTHERN CAPE PROVINCE
Attachments: Draft BAR De Aar 2 South Transmission Lines Comments.pdf

Good Day

Attached find our comments for implementation.



Seoka Lekota
Deputy Director: Biodiversity Mainstreaming EIA
Department of Environment Forestry & Fisheries
Tell: +27 (12) 399 9573
Email: SLekota@environment.gov.za

Disclaimer

This message and any attachments transmitted with it are intended solely for the addressee(s) and may be legally privileged and/or confidential. If you have received this message in error please destroy it and notify the sender. Any unauthorized usage, disclosure, alteration or dissemination is prohibited. The Department of Environmental Affairs accepts no responsibility for any loss whether it be direct, indirect or consequential, arising from information made available and actions resulting there from. The views and opinions expressed in this e-mail message may not necessarily be those of Management..



environment, forestry & fisheries

Department:
Environment, Forestry and Fisheries
REPUBLIC OF SOUTH AFRICA

Private Bag X 447, Pretoria, 0001, Environment House, 473 Steve Biko Road, Pretoria, Tel: +27 12 399 9000, Fax: +27 86 625 1042

Reference: De Aar2 South Transmission Lines

Enquiries: Ms Aulicia Maifo / Portia Makitla

Telephone: 012 399 9411 **E-mail:** pmakitla@environment.gov.za

Aneesah Alwie
Arcus Consultancy Services South Africa (Pty) Ltd
Office 607 Cube Workspace
Cnr Long Street and Hans Strijdom Ave
Cape Town
8001

Telephone Number: +27 (21) 412 1529
Email Address: deaar@arcusconsulting.co.za

PER E-MAIL

Dear Sir/Madam

COMMENTS ON THE DRAFT BASIC ASSESSMENT REPORT FOR THE PROPOSED CONSTRUCTION OF UP TO 400kV DE AAR 2 SOUTH TRANSMISSION LINES AND SWITCHING STATION, NORTHERN CAPE PROVINCE

The Directorate: Biodiversity Conservation has reviewed and evaluated the aforementioned report.

According to the Draft Basic Assessment Report, the proposed development is to take place on the two vegetation types namely: The Northern Upper Karoo (NKu3) and the Besemkaree Koppies Shrubland (Gh4), and the area also falls within the Ecological Support Area (ESA) due to the presence of the large large Platberg-Karoo Conservancy Important Bird Area (IBA).

The following recommendations must be implemented during the final EIA phase:

- High sensitive areas i.e. (CBA, IBA) in close proximity to the development footprint must be demarcated as no-go area i.e. drainage lines;
- In order to minimize loss of biodiversity, the proposed powerline route must run parallel with the existing infrastructure.
- The Avifaunal specialist must determine the final pylon positions on the proposed layout plan and where bird flight diverters are required and the installation of power line pylons must be away from ecological sensitive systems.
- The breeding site of a Verreaux's Eagle and any other important bird's species on site must be demarcated as a NO-GO Zone;

**COMMENTS ON THE DRAFT BASIC ASSESSMENT REPORT FOR THE PROPOSED
CONSTRUCTION OF UP TO 400kV DE AAR 2 SOUTH TRANSMISSION LINES AND SWITCHING
STATION, NORTHERN CAPE PROVINCE**

- The development must conform to all Eskom standards in terms of bird friendly pole monopole structures with bird perches on every pole-top.

Yours faithfully



Mr Seoka Lekota

Control Biodiversity Officer Grade B: Biodiversity Conservation

Department of Environment, Forestry and Fisheries

Date: 17/11/2020

APPENDIX C7: NOTIFICATION OF BASIC ASSESSMENT PHASE

From: [De Aar](#)
To: [De Aar](#)
Bcc: hardind@eskom.co.za; bennie11@webmail.co.za; rentiapienaar@webmail.co.za; diederik.albertyn@gmail.com; 0837221951@vodamail.co.za; dasc@oasisnet.co.za; visser@emthanjeni.co.za; WydemaH@eskom.co.za; janventer2@telkomsa.net; stoffelver@telkomsa.net; andries.tineke@isat.co.za; gawie@da.tdp.co.za; stoffelver@telkomsa.net; henry@transnet.co.za; CloeteS@dwa.gov.za; blairv@dwa.gov.za; bfisher@ncpg.gov.za; mr.gwija@gmail.com; thokob@daff.gov.za; hettieb@daff.gov.za; mashuduma@daff.gov.za; kegakilwe@ncpg.gov.za; John.geeringh@eskom.co.za; ahall@ncpg.gov.za; tallies@emthanjeni.co.za; pixley@telkomsa.net; sebabatso.mokuele@energy.gov.za; Lucindavanwyk@ncpg.gov.za; KNogwili@ncpg.gov.za; rbarlow@ncpg.gov.za; ramon@vodamail.co.za; zschmidt@ncpg.gov.za; mmogorosi@ncpg.gov.za; atiplady@ska.ac.za; leandrews@emthanjeni.co.za; johannesolifant85@gmail.com; charltheron@mjvn.co.za; vdh@vodamail.co.za; zandra@hen1.co.za; engela.richter@aheadtrading.co.za; fjvz@webmail.co.za; lourensl@ewt.org.za; Gareth@ewt.org.za; energy@birdlife.org.za; enquiries@ska.ac.za; reventer@adsactive.com; lemoenkloof@lantic.net; kranskopboerdery@gmail.com; manamathelas@dws.gov.za; Shibambus@dws.gov.za; Emokganedi@environment.gov.za; StanleyT@environment.gov.za; renosterberg_mun@xsinet.co.za; taifun@telkomsa.net; smancotywa@environment.gov.za; mboniswaa@nra.co.za; adamtreki@yahoo.com; StrohL@caa.co.za; kobusrust32@gmail.com; abrahamsn@nra.co.za; rtimothy@nbkb.org.za; rcwangae@nbkb.org.za; deaarmun@intekom.co.za; bestuurder@agrink.co.za; tmthombeni@de.ncape.gov.za; tmthombeni@ncpg.gov.za; PMakitla@environment.gov.za; francinamo@daff.gov.za; nhlakad@daff.gov.za; tinguвам@daff.gov.za; CloeteS@dws.gov.za; tmakaudi@ncpg.gov.za; sbooyesen@emthanjeni.co.za; ratha.timothy@gmail.com; nhiggitt@sahra.org.za; mzamo.mtubu@lgnet.org.za; renosterbergmun@xsinet.co.za; veligoodman@gmail.com; rampvdwalt@gmail.com; eia@ewt.org.za; obstacles@caa.co.za; sterrie@karooexperience.co.za; info@sanbi.org.za; cmo.karoo@gmail.com; anoulizes@gmail.com; vdk@vodamail.co.za; pjtheron4jules@gmail.com; fritz1222@webmail.co.za
Subject: Notification of the Availability of Draft Basic Assessment Reports for the De Aar 2 South WEF Associated Developments
Date: Monday, October 19, 2020 4:13:00 PM
Attachments: [image001.png](#)
[image002.png](#)
[3945 Availability of DBAR I&APs Not. Letter DBAR v1-0 20201019.pdf](#)
[3457 Availability of the DBAR I&APs Notification Letter v1-0 20201019.pdf](#)

Dear Interested and Affected Party

Notice is hereby given of a Public Participation Process (PPP) to be undertaken in terms of the National Environmental Management Act, 1998 (Act No. 107 of 1998), as amended.

NOTIFICATION OF A NEW BASIC ASSESSMENT PROCESS

APPLICATION 1: FOR THE PROPOSED CONSTRUCTION OF THE UP TO 400 KV DE AAR 2 SOUTH TRANSMISSION LINES AND ASSOCIATED INFRASTRUCTURE, NORTHERN CAPE PROVINCE, FOR ENVIRONMENTAL AUTHORISATION, and

APPLICATION 2: FOR THE PROPOSED DE AAR 2 SOUTH WIND ENERGY FACILITY ON-SITE SUBSTATION AND BATTERY ENERGY STORAGE SYSTEM, NORTHERN CAPE PROVINCE

The Draft Basic Assessment Report for Application 1 and 2 (as named above) is available for public comment and review.

The following is available for public review:

APPLICATION 1: FOR THE PROPOSED CONSTRUCTION OF THE UP TO 400 KV DE AAR 2 SOUTH TRANSMISSION LINES AND ASSOCIATED INFRASTRUCTURE, NORTHERN CAPE PROVINCE, FOR ENVIRONMENTAL AUTHORISATION

Volume I - Draft Basic Assessment Report (BAR) for the Proposed Construction of the up to 400 kV De Aar 2 South Transmission Lines And Associated Infrastructure, Northern Cape Province

Volume II - Specialist Impact Assessment Reports

APPLICATION 2: FOR THE PROPOSED DE AAR 2 SOUTH WIND ENERGY FACILITY ON-SITE

SUBSTATION AND BATTERY ENERGY STORAGE SYSTEM, NORTHERN CAPE PROVINCE

Volume I - Draft Basic Assessment Report (BAR) for the Proposed Construction of the up to 400 kV De Aar 2 South Transmission Lines And Associated Infrastructure, Northern Cape Province
Volume II - Specialist Impact Assessment Reports

Both Application Draft Basic Assessment Reports are available for public review and comment for 30 days from the **19 October 2019** to the **17 November 2019 (both days inclusive)**, at the Longyuan Site Office in De Aar, and website: www.arcusconsulting.co.za: Application 1:

<https://arcusconsulting.co.za/projects/proposed-construction-of-the-up-to-400-kv-de-aar-2-south-transmission-lines-corridors-and-switching-station-northern-cape-province-for-environmental-authorisation/> and Application 2: <https://arcusconsulting.co.za/projects/proposed-construction-of-the-de-aar-2-south-wind-energy-facilitys-on-site-substation-and-battery-energy-storage-system-northern-cape-province/>.

Protocol for accessing the BAR at the Longyuan Site Office in De Aar	
Opening Hours	09h00 – 16h00 (by appointment only)
Address	19 Van der Merwe Street, DE AAR, 7000
Contact Person	Beverley Horak
Contact Number	083 793 9254
COVID-19 Safety Measures	No Mask = No Entry Please sanitize before and after use of the BAR

Please find attached the notification letters with further information regarding the availability of the Draft Basic Assessment Reports.

Thank You

Kind Regards

Aneesah Alwie
Environmental Consultant, South Africa

Tel: +27 (0) 21 412 1529
Cell: +27 (0) 72 595 0104
Email: deaar@arcusconsulting.co.za

Arcus Consultancy Services South Africa (Pty) Ltd
Office 607 Cube Workspace
Cnr Long Street and Hans Strijdom Ave
Cape Town
8001

www.arcusconsulting.co.za



Aneesah Alwie

From: De Aar
Sent: Monday, 19 October 2020 16:28
To: 'bfisher@ncpg.gov.za'
Subject: Notification of the Availability of Draft Basic Assessment Reports for the De Aar 2 South WEF Associated Developments
Attachments: 3945_Availability of DBAR_I&APs Not. Letter_DBAR_v1-0_20201019.pdf; 3457_Availability of the DBAR_I&APs Notification Letter_v1-0_20201019.pdf; Your files were sent successfully to bfisher@ncpg.gov.za

Dear Brian Fisher

Two new application forms with Draft BARs has been submitted to the Department of Environment, Forestry and Fisheries today. As per the Application Form, Point 13 states that "Please note that this form must be copied to the relevant Provincial Environmental Department(s)".

Both Application Forms and Draft Basic Assessment Reports for the below named projects has been sent to you via We Transfer now (proof attached).

Please confirm receipt of the We Transfer Link and confirm that the submission is accepted and comment will be provided.

RE: NOTIFICATION OF A NEW BASIC ASSESSMENT PROCESS

APPLICATION 1: FOR THE PROPOSED CONSTRUCTION OF THE UP TO 400 KV DE AAR 2 SOUTH TRANSMISSION LINES AND ASSOCIATED INFRASTRUCTURE, NORTHERN CAPE PROVINCE, FOR ENVIRONMENTAL AUTHORISATION, and APPLICATION 2: FOR THE PROPOSED DE AAR 2 SOUTH WIND ENERGY FACILITY ON-SITE SUBSTATION AND BATTERY ENERGY STORAGE SYSTEM, NORTHERN CAPE PROVINCE

The Draft Basic Assessment Report for Application 1 and 2 (as named above) is available for public comment and review.

The following is available for public review:

APPLICATION 1: FOR THE PROPOSED CONSTRUCTION OF THE UP TO 400 KV DE AAR 2 SOUTH TRANSMISSION LINES AND ASSOCIATED INFRASTRUCTURE, NORTHERN CAPE PROVINCE, FOR ENVIRONMENTAL AUTHORISATION

Volume I - Draft Basic Assessment Report (BAR) for the Proposed Construction of the up to 400 kV De Aar 2 South Transmission Lines And Associated Infrastructure, Northern Cape Province
Volume II - Specialist Impact Assessment Reports

APPLICATION 2: FOR THE PROPOSED DE AAR 2 SOUTH WIND ENERGY FACILITY ON-SITE SUBSTATION AND BATTERY ENERGY STORAGE SYSTEM, NORTHERN CAPE PROVINCE

Volume I - Draft Basic Assessment Report (BAR) for the Proposed Construction of the up to 400 kV De Aar 2 South Transmission Lines And Associated Infrastructure, Northern Cape Province
Volume II - Specialist Impact Assessment Reports

Both Application Draft Basic Assessment Reports are available for public review and comment for 30 days from the **19 October 2019** to the **17 November 2019 (both days inclusive)**, at the Longyuan Site Office in De Aar, and website:

www.arcusconsulting.co.za: Application 1: <https://arcusconsulting.co.za/projects/proposed-construction-of-the-up-to-400-kv-de-aar-2-south-transmission-lines-corridors-and-switching-station-northern-cape-province-for-environmental-authorisation/> and Application 2: <https://arcusconsulting.co.za/projects/proposed-construction-of-the-de-aar-2-south-wind-energy-facilitys-on-site-substation-and-battery-energy-storage-system-northern-cape-province/> .

Protocol for accessing the BAR at the Longyuan Site Office in De Aar	
Opening Hours	09h00 – 16h00 (by appointment only)
Address	19 Van der Merwe Street, DE AAR, 7000
Contact Person	Beverley Horak
Contact Number	083 793 9254
COVID-19 Safety Measures	No Mask = No Entry Please sanitize before and after use of the BAR

Please find attached the notification letters with further information regarding the availability of the Draft Basic Assessment Reports.

Thank You

Kind Regards

Aneesah Alwie

Environmental Consultant, South Africa

Tel: +27 (0) 21 412 1529

Cell: +27 (0) 72 595 0104

Email: deaar@arcusconsulting.co.za

Arcus Consultancy Services South Africa (Pty) Ltd

Office 607 Cube Workspace

Cnr Long Street and Hans Strijdom Ave

Cape Town

8001

www.arcusconsulting.co.za



Dear Interested and Affected Party,

NOTIFICATION OF A NEW BASIC ASSESSMENT PROCESS and WATER USE LICENSE APPLICATION PROCESS

FOR THE PROPOSED CONSTRUCTION OF THE UP TO 400 KV DE AAR 2 SOUTH TRANSMISSION LINES AND ASSOCIATED INFRASTRUCTURE, NORTHERN CAPE PROVINCE, FOR ENVIRONMENTAL AUTHORISATION

Mulilo De Aar 2 South (Pty) Ltd ('Mulilo') is applying for environmental authorisation of two proposed transmission lines and a switching station (the proposed development), located approximately 15 to 26 km east of the town of De Aar, Northern Cape Province. The proposed development site forms part of the Electricity Grid Infrastructure Central Strategic Transmission Corridor as per Government Notice 113, National Environmental Management Act, 1998 (Act No. 107 of 1998). The proposed development aims to connect the authorised De Aar 2 South Wind Energy Facility ('DA2S WEF') (Ref: 12/12/20/2463/1/AM7) to the existing Eskom Hydra Substation, either following a direct route, and/or via various battery energy storage systems ('BESSs') (the BESSs are not included as part of this application). Mulilo will also be submitting a WUL application for authorisation.

Arcus Consultancy Services South Africa (Ltd) Pty ('Arcus') has been appointed to act as project manager and to undertake the environmental impact assessment process for Environmental Authorisation under Chapter 5 of the National Environmental Management Act, 1998 (Act 107 of 1998 – NEMA) as amended, for the Proposed Development.

The **Draft Basic Assessment Report** is available for public review and comment from the **19 October 2020 to the 17 November 2020 (both days inclusive)** at the following locations:

- The Longyuan Site Office in De Aar¹; and
- Website: www.arcusconsulting.co.za.

Protocol for accessing the BAR at the Longyuan Site Office in De Aar	
Opening Hours	09h00 – 16h00 (by appointment only)
Address	19 Van der Merwe Street, DE AAR, 7000
Contact Person	Beverley Horak
Contact Number	083 793 9254
COVID-19 Safety Measures	No Mask = No Entry Please sanitize before and after use of the BAR

With reference to the proposed development, please send your comments on the Draft Basic Assessment Report in writing before the **17 November 2020** to the below address:

Arcus Consultancy Services South Africa (Pty) Ltd

Reference : 3457 De Aar 2 South Transmission Lines and Associated Infrastructure
Contact Person : Aneesah Alwie
Email : deaar@arcusconsulting.co.za
Post : Office 607 Cube Workspace, Icon Building, Cnr Long Street and Hans Strijdom Avenue, Cape Town, 8001
Telephone : +27 21 412 1529

¹ There will be limited CD copies available at the Longyuan Site Office to collect if preferred.

Aneesah Alwie

From: Aneesah Alwie
Sent: Monday, 19 October 2020 15:54
To: EIAApplications@environment.gov.za
Subject: RE: Application for EA and Draft BAR for the Proposed Development of the up to 400 kV De Aar 2 South Transmission Lines and Switching Station, NC Province
Attachments: DA2S Transmission Lines and SS_Document Control Form_20201019.pdf

Dear Sir / Madam

Please note that an application has been uploaded on the system. It includes the application form and Draft Basic Assessment report and the details are presented below:

My Files

sfiler.environment.gov.za:8443/ssf/a/c/p_name/ss_forum/p_action/1/action/view_permalink/showCollection/-1/entityType/

My Files Shared with Me Shared by Me Net Folders

My Files

New Folder... Share... Delete Add Files... More ▾

<input type="checkbox"/>	Name		
<input type="checkbox"/>	Humansrus 3 amendment Application and Draft Report.zip	▾	🗨
<input checked="" type="checkbox"/>	Application for EA for DA2S Transmission Lines and SS.zip	▾	🗨
<input type="checkbox"/>	Application for EA and Draft BAR for chalets at the existing Island Lake Resport, Wilderness.zip	▾	🗨
<input type="checkbox"/>	Application for EA Amendment Ref 14_12_16_3_3_1_1419.zip	▾	🗨
<input type="checkbox"/>	Application for EA Amendment 14_12_15_3_3_1_2149.zip	▾	🗨
<input type="checkbox"/>	Application for EA Amendment 14_12_15_3_3_1_2148.zip	▾	🗨
<input type="checkbox"/>	01 Unallocated - PLEASE DO NOT UPLOAD INTO OR DELETE THIS FOLDER	▾	
<input type="checkbox"/>	00 Allocated - PLEASE DO NOT UPLOAD INTO OR DELETE THIS FOLDER	▾	

1-8 of 8

Windows taskbar icons: File Explorer, Chrome, Word, Outlook, Teams, Word, 7z

Thank You

Kind Regards

Aneesah Alwie

Environmental Consultant, South Africa

Tel: +27 (0) 21 412 1529

Cell: +27 (0) 72 595 0104

Email: AneesahA@arcusconsulting.co.za

Arcus Consultancy Services South Africa (Pty) Ltd

www.arcusconsulting.co.za

From: Aneesah Alwie

Sent: Monday, 19 October 2020 14:40

To: 'EIAApplications@environment.gov.za' <EIAApplications@environment.gov.za>

Subject: Application for EA and Draft BAR for the Proposed Development of the up to 400 kV De Aar 2 South Transmission Lines and Switching Station, NC Province

Dear Sir / Madam

Please note that an application has been uploaded on the system. It includes the application form and Draft Basic Assessment report and the details are presented below:

← → ↻ sfiler.environment.gov.za:8443/ssf/a/c/p_name/ss_forum/p_action/1/action/view_permalink/showCollection/-1/entityType/t

ENVIRONMENT HOUSE

My Files Shared with Me Shared by Me Net Folders

My Files

New Folder... Share... Delete Add Files... More ▾

<input type="checkbox"/>	▼ Name		
<input checked="" type="checkbox"/>	Application for EA - up to 400 kV DA2S Transmission Line Corridors and Switching Station.zip	▼	🗨
<input type="checkbox"/>	Application for EA Amendment Ref 14_12_16_3_3_1_1419.zip	▼	🗨
<input type="checkbox"/>	Application for EA Amendment 14_12_15_3_3_1_2149.zip	▼	🗨
<input type="checkbox"/>	Application for EA Amendment 14_12_15_3_3_1_2148.zip	▼	🗨
<input type="checkbox"/>	Application Draft BA Report - Gunstfontein.zip	▼	🗨
<input type="checkbox"/>	Application Draft BA Report - Great Karoo.zip	▼	🗨
<input type="checkbox"/>	Application and Draft Assessment Report Humansrus 3.zip	▼	🗨
<input type="checkbox"/>	01 Unallocated - PLEASE DO NOT UPLOAD INTO OR DELETE THIS FOLDER	▼	
<input type="checkbox"/>	00 Allocated - PLEASE DO NOT UPLOAD INTO OR DELETE THIS FOLDER	▼	

⏪ ⏩ 1-9 of 9 ⏪ ⏩

Windows taskbar: File Explorer, Chrome, Word, Outlook, Teams, Word

Thank You

Kind Regards

Aneesah Alwie

Environmental Consultant, South Africa

Tel: +27 (0) 21 412 1529

Cell: +27 (0) 72 595 0104

Email: AneesahA@arcusconsulting.co.za

Arcus Consultancy Services South Africa (Pty) Ltd

Office 607 Cube Workspace

Cnr Long Street and Hans Strijdom Ave

Cape Town

8001

www.arcusconsulting.co.za





environment, forestry & fisheries

Department:
Environment, Forestry and Fisheries
REPUBLIC OF SOUTH AFRICA

Private Bag X 447 · PRETORIA · 0001 · Environment House · 473 Steve Biko, Arcadia · PRETORIA

Template for the submission of documents:

- 1) Reference Number if assigned: TBC
- 2) Project Title: PROPOSED DEVELOPMENT OF THE UP TO 400 KV DE AAR 2 SOUTH TRANSMISSION LINES AND SWITCHING STATION, NORTHERN CAPE PROVINCE
- 3) Environmental Assessment Practitioner Company: Arcus Consultancy Services South Africa (Pty) Ltd
- 4) Applicant: Mulilo De Aar 2 South (Pty) Ltd
- 5) Date Submitted: 19 October 2020
- 6) Documents Submitted: Application for EA with Draft Basic Assessment Report
- 7) Do you agree to the rules and format on how documents are to be submitted? (Yes/No) Yes

Check List:

- Documents uploaded in the correct manner, i.e. email or Novel Filr:
- Are all the documents in one folder:
- Is the email with this document being sent:
- Does the email have a correct and appropriate subject line:
- Are each file in the respective folders named correctly:
- Does the file have a correct folder structure:
- Is one ZIP folder uploaded per project:

Appendix C8: Proof of Delivery – DBAR Notification

Aneesah Alwie

From: Frikkie van Zyl - Smouspoort <fvz@webmail.co.za>
To: De Aar
Sent: Friday, 13 November 2020 09:48
Subject: Not read: Notification of the Availability of Draft Basic Assessment Reports for the De Aar 2 South WEF Associated Developments

Your message

To: De Aar
Subject: Notification of the Availability of Draft Basic Assessment Reports for the De Aar 2 South WEF Associated Developments
Sent: 2020/10/19 4:13 PM

was deleted on 2020/11/13 9:39 AM.

Aneesah Alwie

From: sterrie <sterrie@karooexperience.co.za>
To: De Aar
Sent: Sunday, 08 November 2020 21:57
Subject: Read: Notification of the Availability of Draft Basic Assessment Reports for the De Aar 2 South WEF Associated Developments

Your message

To: De Aar
Subject: Notification of the Availability of Draft Basic Assessment Reports for the De Aar 2 South WEF Associated Developments
Sent: 2020/10/19 16:13

was read on 2020/11/08 21:57.

Aneesah Alwie

From: LE Andrews <leandrews@emthanjeni.co.za>
To: De Aar
Sent: Thursday, 29 October 2020 11:24
Subject: Read: Read-Receipt: Notification of the Availability of Draft Basic Assessment Reports for the De Aar 2 South WEF Associated Developments

The message sent on 19 October 2020 14:13:30 GMT-00:00 to leandrews@emthanjeni.co.za with subject "Notification of the Availability of Draft Basic Assessment Reports for the De Aar 2 South WEF Associated Developments" has been displayed. This is no guarantee that the message has been read or understood.

All views or opinions expressed in this electronic message and its attachments are the view of the sender and do not necessarily reflect the views and opinions of Emthanjeni Municipality. No employee of Emthanjeni Municipality is entitled to conclude a binding contract on behalf of Emthanjeni Municipality unless he/she is an accounting officer of Emthanjeni Municipality, or his or her authorized representative. The information contained in this message and its attachments may be confidential or privileged and is for the use of the named recipient only, except where the sender specifically states otherwise. If you have received this email in error please notify the sender. The contents of this e-mail may not be forwarded to any third party outside of the organization that the named recipient represents unless given permission by the sender. If you are not the named addressee you should not disseminate, distribute or copy this e-mail.

Aneesah Alwie

From: Cloete Shaun <CloeteS@dws.gov.za>
Sent: Wednesday, 28 October 2020 12:47
To: De Aar
Subject: Read: Notification of the Availability of Draft Basic Assessment Reports for the De Aar 2 South WEF Associated Developments
Attachments: Read: Notification of the Availability of Draft Basic Assessment Reports for the De Aar 2 South WEF Associated Developments

DISCLAIMER: This message and any attachments are confidential and intended solely for the addressee. If you have received this message in error, please notify the system manager/sender. Any unauthorized use, alteration or dissemination is prohibited. The Department of Water and Sanitation further accepts no liability whatsoever for any loss, whether it be direct, indirect or consequential, arising from this e-mail, nor for any consequence of its use or storage.

Aneesah Alwie

From: Dr Gareth Tate <gareht@ewt.org.za>
To: De Aar
Sent: Monday, 26 October 2020 11:19
Subject: Read: Notification of the Availability of Draft Basic Assessment Reports for the De Aar 2 South WEF Associated Developments

Your message

To: Dr Gareth Tate
Subject: Notification of the Availability of Draft Basic Assessment Reports for the De Aar 2 South WEF Associated Developments
Sent: Monday, October 19, 2020 4:13:30 PM (UTC+02:00) Harare, Pretoria

was read on Monday, October 26, 2020 11:19:17 AM (UTC+02:00) Harare, Pretoria.

Disclaimer

The information contained in this communication from the sender is confidential. It is intended solely for use by the recipient and others authorized to receive it. If you are not the recipient, you are hereby notified that any disclosure, copying, distribution or taking action in relation of the contents of this information is strictly prohibited and may be unlawful.

This email has been scanned for viruses and malware, and may have been automatically archived by **Mimecast Ltd**, an innovator in Software as a Service (SaaS) for business. Providing a **safer** and **more useful** place for your human generated data. Specializing in; Security, archiving and compliance. To find out more [Click Here](#).

Aneesah Alwie

From: Sam Ralston <energy@birdlife.org.za>
To: De Aar
Sent: Thursday, 22 October 2020 12:42
Subject: Read: Notification of the Availability of Draft Basic Assessment Reports for the De Aar 2 South WEF Associated Developments

Your message

To: Sam Ralston
Subject: Notification of the Availability of Draft Basic Assessment Reports for the De Aar 2 South WEF Associated Developments
Sent: Monday, October 19, 2020 4:13:30 PM (UTC+02:00) Harare, Pretoria

was read on Thursday, October 22, 2020 12:41:55 PM (UTC+02:00) Harare, Pretoria.

Aneesah Alwie

From: Tinguva Maluleke <TinguvaM@Dalrrd.gov.za>
To: De Aar
Sent: Thursday, 22 October 2020 09:45
Subject: Read: Notification of the Availability of Draft Basic Assessment Reports for the De Aar 2 South WEF Associated Developments

Your message

To: Tinguva Maluleke
Subject: Notification of the Availability of Draft Basic Assessment Reports for the De Aar 2 South WEF Associated Developments
Sent: Monday, October 19, 2020 4:13:30 PM (UTC+02:00) Harare, Pretoria

was read on Thursday, October 22, 2020 9:46:59 AM (UTC+02:00) Harare, Pretoria.

Aneesah Alwie

From: Hettie Buys <HettieB@Dalrrd.gov.za>
To: De Aar
Sent: Wednesday, 21 October 2020 11:28
Subject: Read: Notification of the Availability of Draft Basic Assessment Reports for the De Aar 2 South WEF Associated Developments

Your message

To: Hettie Buys
Subject: Notification of the Availability of Draft Basic Assessment Reports for the De Aar 2 South WEF Associated Developments
Sent: Monday, October 19, 2020 2:13:30 AM (UTC-12:00) International Date Line West

was read on Tuesday, October 20, 2020 9:28:06 PM (UTC-12:00) International Date Line West.

Aneesah Alwie

From: Vd Heever <0823783615@vodamail.co.za>
To: De Aar
Sent: Tuesday, 20 October 2020 23:07
Subject: Read: Notification of the Availability of Draft Basic Assessment Reports for the De Aar 2 South WEF Associated Developments

Your message

To: De Aar
Subject: Notification of the Availability of Draft Basic Assessment Reports for the De Aar 2 South WEF Associated Developments
Sent: 2020/10/19 04:13 PM

was read on 2020/10/20 11:06 PM.

Virus-free. www.avast.com

Aneesah Alwie

From: Microsoft Outlook
To: rtimothy@nbkb.org.za
Sent: Tuesday, 20 October 2020 16:14
Subject: Undeliverable: Notification of the Availability of Draft Basic Assessment Reports for the De Aar 2 South WEF Associated Developments

Delivery has failed to these recipients or groups:

rtimothy@nbkb.org.za (rtimothy@nbkb.org.za)

Your message couldn't be delivered. Despite repeated attempts to contact the recipient's email system it didn't respond.

Contact the recipient by some other means (by phone, for example) and ask them to tell their email admin that it appears that their email system isn't accepting connection requests from your email system. Give them the error details shown below. It's likely that the recipient's email admin is the only one who can fix this problem.

For more information and tips to fix this issue see this article:
<https://go.microsoft.com/fwlink/?LinkId=389361>.

Diagnostic information for administrators:

Generating server: CWLP123MB3506.GBRP123.PROD.OUTLOOK.COM
Total retry attempts: 26

rtimothy@nbkb.org.za

Remote Server returned '550 5.4.300 Message expired -> 452 4.2.2 <rtimothy@nbkb.org.za> Mailbox has exceeded the limit'

Original message headers:

ARC-Seal: i=1; a=rsa-sha256; s=arcselector9901; d=microsoft.com; cv=none;

b=d6bljhwo021SUJmmjSQkbz5VgfpMzG1Ib/MApldzmKbjtKmr4xNnjyrB1eArRkrInIxZSYPoXMnU1Qm/uQDmY37cfZ8qCU5Wf//I0ppYoGkOqLXccMAv+WXFLT10bUA/SuAutJZgByxl0ZaXVenmw4HCC5etkZN0JZx/cCfg8vOWuV9JdmLNB4/q9EXiQSW7gR3zIP6MBoIkZJneAWiYVVp409ZqyI0K507aud8MXILtLKTJIC5JHhzcq11wA2djiVzmxfeOSFfw7JfAfyNFncscsXF2I7wLXFfeumwTWD3CUoKGQK/NEPw1K09b4b7G7w+Rd88/18UfTjyPl4kfyg==

ARC-Message-Signature: i=1; a=rsa-sha256; c=relaxed/relaxed; d=microsoft.com; s=arcselector9901;

h=From:Date:Subject:Message-ID:Content-Type:MIME-Version:X-MS-Exchange-SenderADCheck;
bh=tMCIVlvckcW91jlXDaUYkrXeUBp6Vk52joAdfIrRS2s=;

b=C8EXueszw072mWAH/EH/Mi2+HzPiDKI6php2SgwbjmtWAlKWgGGKIW7BgbL4sgzRT/qqGmcjjP/QFRT0ZclAtKY

sikJrwaNwJaUXScSWLvaiS6Va3HorOcuBonoByNJJA0i7lV+A4GoJ6Yp35BD9/bvFFSFZ9/QIoule8N4IjIs/6Xno
WaPqO6FTCef+RtIvGzrfYXKgVffId64JtlyolunsJKg73mltxvVM2i3zMg53Q8efnutpvOa1VMb99Ey0o/bwCeT7J
PfgOPvwhGNumAKKt1UXHIUOC2othywKi6QXvwRopaV6JntBOGggiC6lrAft2lhOiPsJN3Ywhk4UA==
ARC-Authentication-Results: i=1; mx.microsoft.com 1; spf=pass
smtp.mailfrom=arcusconsulting.co.za; dmarc=pass action=none
header.from=arcusconsulting.co.za; dkim=pass header.d=arcusconsulting.co.za;
arc=none
DKIM-Signature: v=1; a=rsa-sha256; c=relaxed/relaxed;
d=arcusconsultingltd.onmicrosoft.com;
s=selector1-arcusconsultingltd-onmicrosoft-com;
h=From:Date:Subject:Message-ID:Content-Type:MIME-Version:X-MS-Exchange-SenderADCheck;
bh=tMCIVlvckcW9ljlXDaUYkrXeUBp6Vk52joAdfIrRS2s=;

b=NzxWmxvF4KXKg4lcQijzMTG0cteBn2TZqFM4+r7Hl7zvAaS0y9tPJlgHSz+JrnQ4G4vZsE4bySRDB+B6adwd8s
2h9TiQrjlvbjsvEL2ZOZREXyECN3SGmx+Cc37KHi5esX3KA/qvOSyK2R5s219zBjMekxCkkOQBwWEL2FM+ZU=

Received: from CWXP123MB2104.GBRP123.PROD.OUTLOOK.COM (2603:10a6:401:7c::10)
by CWLP123MB3506.GBRP123.PROD.OUTLOOK.COM (2603:10a6:400:6d::14) with
Microsoft SMTP Server (version=TLS1_2,
cipher=TLS_ECDHE_RSA_WITH_AES_256_GCM_SHA384) id 15.20.3477.21; Mon, 19 Oct
2020 14:13:30 +0000

Received: from CWXP123MB2104.GBRP123.PROD.OUTLOOK.COM
([fe80::1cb9:755a:cdf6:1616]) by CWXP123MB2104.GBRP123.PROD.OUTLOOK.COM
([fe80::1cb9:755a:cdf6:1616%3]) with mapi id 15.20.3477.028; Mon, 19 Oct 2020
14:13:30 +0000

From: De Aar <deaar@arcusconsulting.co.za>

To: De Aar <deaar@arcusconsulting.co.za>

Subject: Notification of the Availability of Draft Basic Assessment Reports
for the De Aar 2 South WEF Associated Developments

Thread-Topic: Notification of the Availability of Draft Basic Assessment
Reports for the De Aar 2 South WEF Associated Developments

Thread-Index: AdamHuIeD4vxv/N/TWa/Rft4G+U84A==

Disposition-Notification-To: De Aar <deaar@arcusconsulting.co.za>

Return-Receipt-To: <deaar@arcusconsulting.co.za>

Date: Mon, 19 Oct 2020 14:13:30 +0000

Message-ID:

<CWXP123MB210474F6C16580586643FB87931E0@CWXP123MB2104.GBRP123.PROD.OUTLOOK.COM>

Accept-Language: en-US

Content-Language: en-US

X-MS-Has-Attach: yes

X-MS-TNEF-Correlator:

authentication-results: arcusconsulting.co.za; dkim=none (message not signed)

header.d=none;arcusconsulting.co.za; dmarc=none action=none

header.from=arcusconsulting.co.za;

x-ms-exchange-messagesentrepresentingtype: 1

x-originating-ip: [196.22.229.227]

x-ms-publictraffictype: Email

x-ms-office365-filtering-correlation-id: 485d324a-6a78-41db-4d2e-08d874392822

x-ms-traffictypediagnostic: CWLP123MB3506:

x-ms-exchange-transport-forked: True

x-microsoft-antispam-prvs:

<CWLP123MB3506264B81DA8D2BA8C202ACF41E0@CWLP123MB3506.GBRP123.PROD.OUTLOOK.COM>

x-ms-oob-tlc-oobclassifiers: OLM:10000;

x-ms-exchange-senderadcheck: 1

x-microsoft-antispam: BCL:0;

x-microsoft-antispam-message-info:

CbO/gRTUd4vFQzle1tZE3crJ/IqAyI2Mg9fIewIoWeNB0i2fj6vwhYe3KnzcDk82zNVPPB7hQxwRZ/9ok7Q7hrNIR
fNsJifKl5QeZfW2mxYoW/ddXUrbsApzL/ejXQIhOk/+p/40B1G4aANNJORLbDYbX8+XIbpN2FWF/6Om8zCKEo+PcXA
Emt5NWDykeLw3bxV1tIVYtbCmcwZyJaU2/4vPgSYjHv+3bxmxh/7pN8byN9SbKJmYDR4f4Ld+QM0vn9bdSzdXDsSs
LDZ4levBScmqZqVS75CbokXr/HgV7e3fWFR5k+Ki2eKqrYrKWGZtXtvrR60vUy1Enh2VgSh9F2pVaAes2FwbM32Dy
Ti+zYwxurD42oL7l0GEDt07FJu6lLWdmGQSZxubbRtCIHDJQYQ==

x-forefront-antispam-report:

CIP:255.255.255.255;CTRY:;LANG:en;SCL:1;SRV:;IPV:NLI;SFV:NSPM;H:CWXP123MB2104.GBRP123.PRO

D.OUTLOOK.COM;PTR:;CAT:NONE;SFS:(376002)(39840400004)(396003)(346002)(136003)(366004)(99936003)(966005)(316002)(7696005)(55016002)(66476007)(66556008)(66946007)(64756008)(66446008)(66576008)(71200400001)(76116006)(52536014)(6200100001)(8936002)(7406005)(186003)(7336002)(6506007)(7366002)(9686003)(5660300002)(26005)(8676002)(7416002)(83380400001)(33656002)(478600001)(86362001)(6862004)(15650500001)(2906002)(166002);DIR:OUT;SFP:1102;
x-ms-exchange-antispam-messagedata:
/sKEPw6cTiC0GlziZQS3W9rPvBUUnVn70kdVHdbJ1x8b4jPJdRmcW6EAYTQVRLpmysCsumN5U4mcO4kt0Bm9OQBcPkGD2RpshiidjRXGPWCjlkqPRfY9DuiFnWisgX566EPlEdPjVVPX1BVTGMnAJQoGZOWJQvp5fuI1feosOMwLeAQ8YJz6l1dDc1NHbOTNqNIW64pcVtm6ozUpkzclqpEp+AJRZX2obb1Y5hIDtVWWG+oE+zV9rxEU8YdxIRkZdem2gYrvV/U1u16z4XumzI3OAt28ZwIpuw/CCXziFifhXTyXFGgOvurtMn+6VzIvqugaixVtAAmVVdTFeFpYc6yfnMIryEdA5RQaa7GIp0JOHmJnm511qS61VMzwa54AoIF6hIVHK08y4EgnyH9So05dSOTX3qu6wvn+WNgh18ZzdNfRtj+QvKxQ9f0UND3UlchU16eqqzw+pWV7jzPoAr2P81GD98wFeDERhv4ifmjXEXV7W7w6UJohC8xDfiVdxxxxcMRWw8yuMvYK9KJEZulaGJY7KS7bnznpSKmn/xlmadHzi/lnTGp6EQNsXTWvSFvHbMj fge/A9p/yI/miwM46PMgK2eu7MQj09TBftyapQJWCpWucPeBBhF2bSDDzfU1RkdcWwJvUgcJNyHNrKmmQ==
Content-Type: multipart/mixed;
 boundary="_008_CWXP123MB210474F6C16580586643FB87931E0CWXP123MB2104GBRP_"
MIME-Version: 1.0
X-OriginatorOrg: arcusconsulting.co.za
X-MS-Exchange-CrossTenant-AuthAs: Internal
X-MS-Exchange-CrossTenant-AuthSource: CWXP123MB2104.GBRP123.PROD.OUTLOOK.COM
X-MS-Exchange-CrossTenant-Network-Message-Id: 485d324a-6a78-41db-4d2e-08d874392822
X-MS-Exchange-CrossTenant-originalarrivaltime: 19 Oct 2020 14:13:30.6690
 (UTC)
X-MS-Exchange-CrossTenant-fromentityheader: Hosted
X-MS-Exchange-CrossTenant-id: d9bba7f2-9d82-4ebf-8cec-bcd827e07f80
X-MS-Exchange-CrossTenant-mailboxtype: HOSTED
X-MS-Exchange-CrossTenant-userprincipalname:
RA8GvboChqUzLbrE8mYZAfoEsL23vFWO6dPVA+0TUed7nw2sGsJxgnuzoypDDwGD0OgNUYVGE+7giBgTAWeAs66fw9WBR6CbWpLYKzssMtQ=
X-MS-Exchange-Transport-CrossTenantHeadersStamped: CWLP123MB3506

Aneesah Alwie

From: SG Booysen <sbooyesen@emthanjeni.co.za>
To: De Aar
Sent: Tuesday, 20 October 2020 13:14
Subject: Read: Read-Receipt: Notification of the Availability of Draft Basic Assessment Reports for the De Aar 2 South WEF Associated Developments

The message sent on 19 October 2020 14:13:30 GMT-00:00 to sbooyesen@emthanjeni.co.za with subject "Notification of the Availability of Draft Basic Assessment Reports for the De Aar 2 South WEF Associated Developments" has been displayed. This is no guarantee that the message has been read or understood.

All views or opinions expressed in this electronic message and its attachments are the view of the sender and do not necessarily reflect the views and opinions of Emthanjeni Municipality. No employee of Emthanjeni Municipality is entitled to conclude a binding contract on behalf of Emthanjeni Municipality unless he/she is an accounting officer of Emthanjeni Municipality, or his or her authorized representative. The information contained in this message and its attachments may be confidential or privileged and is for the use of the named recipient only, except where the sender specifically states otherwise. If you have received this email in error please notify the sender. The contents of this e-mail may not be forwarded to any third party outside of the organization that the named recipient represents unless given permission by the sender. If you are not the named addressee you should not disseminate, distribute or copy this e-mail.

Aneesah Alwie

From: Blair Vernon (BFN) <BlairV@dws.gov.za>
Sent: Tuesday, 20 October 2020 12:32
To: De Aar
Subject: Read: Notification of the Availability of Draft Basic Assessment Reports for the De Aar 2 South WEF Associated Developments
Attachments: Read: Notification of the Availability of Draft Basic Assessment Reports for the De Aar 2 South WEF Associated Developments

DISCLAIMER: This message and any attachments are confidential and intended solely for the addressee. If you have received this message in error, please notify the system manager/sender. Any unauthorized use, alteration or dissemination is prohibited. The Department of Water and Sanitation further accepts no liability whatsoever for any loss, whether it be direct, indirect or consequential, arising from this e-mail, nor for any consequence of its use or storage.

Aneesah Alwie

From: Zandra van Niekerk <zandra@hen1.co.za>
To: De Aar
Sent: Tuesday, 20 October 2020 10:16
Subject: Read: Notification of the Availability of Draft Basic Assessment Reports for the De Aar 2 South WEF Associated Developments

Your message

To: De Aar
Subject: Notification of the Availability of Draft Basic Assessment Reports for the De Aar 2 South WEF Associated Developments
Sent: 2020/10/19 16:13

was read on 2020/10/20 10:16.

Aneesah Alwie

From: Portia Makitla <PMakitla@environment.gov.za>
Sent: Tuesday, 20 October 2020 09:29
To: De Aar
Subject: Read: Notification of the Availability of Draft Basic Assessment Reports for the De Aar 2 South WEF Associated Developments
Attachments: Read: Notification of the Availability of Draft Basic Assessment Reports for the De Aar 2 South WEF Associated Developments

'Please consider the environment before you print this email'

Disclaimer

This message and any attachments transmitted with it are intended solely for the addressee(s) and may be legally privileged and/or confidential. If you have received this message in error please destroy it and notify the sender. Any unauthorized usage, disclosure, alteration or dissemination is prohibited. The Department of Environmental Affairs accepts no responsibility for any loss whether it be direct, indirect or consequential, arising from information made available and actions resulting there from. The views and opinions expressed in this e-mail message may not necessarily be those of Management..

Aneesah Alwie

From: G van Heerden <gawie@da.tdp.co.za>
To: De Aar
Sent: Tuesday, 20 October 2020 08:17
Subject: Read: Notification of the Availability of Draft Basic Assessment Reports for the De Aar 2 South WEF Associated Developments

Your message

To: De Aar
Subject: Notification of the Availability of Draft Basic Assessment Reports for the De Aar 2 South WEF Associated Developments
Sent: 19-10-2020 04:13 PM

was read on 20-10-2020 08:15 AM.

A list of directors and our e-mail / attachment disclaimer is available at
http://www.tdp.co.za/da_tdp.htm

Aneesah Alwie

From: Natasha Higgitt <nhiggitt@sahra.org.za>
Sent: Tuesday, 20 October 2020 08:09
To: De Aar
Subject: Read: Notification of the Availability of Draft Basic Assessment Reports for the De Aar 2 South WEF Associated Developments
Attachments: Read: Notification of the Availability of Draft Basic Assessment Reports for the De Aar 2 South WEF Associated Developments

Natasha Higgitt
Heritage Officer: Archaeology, Palaeontology and Meteorites Unit

South African Heritage Resources Agency
- A nation united through heritage -

T: +27 21 462 4502/ 8660 | C:+27 82 507 0378 | F:+27 21 462 4509
E: nhiggitt@sahra.org.za | 111 Harrington Street | Cape Town |

www.sahra.org.za<<http://www.sahra.org.za/>>
[SAHRA Logo] [SAHRA Values] <www.sahra.org.za>

[SAHRA Logo]

Aneesah Alwie

From: Henk Wydeman <WydemaH@eskom.co.za>
To: De Aar
Sent: Tuesday, 20 October 2020 07:41
Subject: Read: Notification of the Availability of Draft Basic Assessment Reports for the De Aar 2 South WEF Associated Developments

Your message

To: Henk Wydeman
Subject: Notification of the Availability of Draft Basic Assessment Reports for the De Aar 2 South WEF Associated Developments
Sent: Monday, October 19, 2020 4:13:30 PM (UTC+02:00) Harare, Pretoria

was read on Tuesday, October 20, 2020 7:40:30 AM (UTC+02:00) Harare, Pretoria.

Aneesah Alwie

From: Pixley Ka Seme District Municipality <telkomsa128018@telkomsa.net>
To: De Aar
Sent: Tuesday, 20 October 2020 07:02
Subject: Read: Notification of the Availability of Draft Basic Assessment Reports for the De Aar 2 South WEF Associated Developments

Your message

To: De Aar
Subject: Notification of the Availability of Draft Basic Assessment Reports for the De Aar 2 South WEF Associated Developments
Sent: 2020/10/19 16:13

was read on 2020/10/20 07:01.

Aneesah Alwie

From: Mail Delivery System <MAILER-DAEMON@vodamail.co.za>
To: 0837221951@vodamail.co.za; ramon@vodamail.co.za; vdh@vodamail.co.za;
vdk@vodamail.co.za
Sent: Tuesday, 20 October 2020 04:47
Subject: Expanded: Notification of the Availability of Draft Basic Assessment Reports for the De
Aar 2 South WEF Associated Developments

This is the mail system at host mdrxx900svcs01vmlmx04.vodamail.co.za.

Your message was successfully delivered to the destination(s) listed below. If the message was delivered to mailbox you will receive no further notifications. Otherwise you may still receive notifications of mail delivery errors from other systems.

The mail system

<0837221951@vodamail.co.za>: alias expanded

<ramon@vodamail.co.za>: alias expanded

<vdh@vodamail.co.za>: alias expanded



Message Headers

<vdk@vodamail.co.za>: alias expanded

Aneesah Alwie

From: Microsoft Outlook
To: Natasha Higgitt
Sent: Monday, 19 October 2020 18:09
Subject: Relayed: RE: Notification of the Availability of Draft Basic Assessment Reports for the De Aar 2 South WEF Associated Developments

Delivery to these recipients or groups is complete, but no delivery notification was sent by the destination server:

[Natasha Higgitt \(nhiggitt@sahra.org.za\)](mailto:nhiggitt@sahra.org.za)

Subject: RE: Notification of the Availability of Draft Basic Assessment Reports for the De Aar 2 South WEF Associated Developments



RE: Notification
of the Availa...

Aneesah Alwie

From: John Geeringh <GeerinJH@eskom.co.za>
To: De Aar
Sent: Monday, 19 October 2020 17:29
Subject: Read: Notification of the Availability of Draft Basic Assessment Reports for the De Aar 2 South WEF Associated Developments

Your message

To: John Geeringh
Subject: Notification of the Availability of Draft Basic Assessment Reports for the De Aar 2 South WEF Associated Developments
Sent: Monday, October 19, 2020 4:13:30 PM (UTC+02:00) Harare, Pretoria

was read on Monday, October 19, 2020 5:29:03 PM (UTC+02:00) Harare, Pretoria.

Aneesah Alwie

From: Microsoft Outlook
To: bfisher@ncpg.gov.za
Sent: Monday, 19 October 2020 17:01
Subject: Relayed: Notification of the Availability of Draft Basic Assessment Reports for the De Aar 2 South WEF Associated Developments

Delivery to these recipients or groups is complete, but no delivery notification was sent by the destination server:

bfisher@ncpg.gov.za (bfisher@ncpg.gov.za)

Subject: Notification of the Availability of Draft Basic Assessment Reports for the De Aar 2 South WEF Associated Developments



Notification of
the Availabili...

Aneesah Alwie

From: Microsoft Outlook
To: lemoenkloof@lantic.net
Sent: Monday, 19 October 2020 16:47
Subject: Relayed: Notification of the Availability of Draft Basic Assessment Reports for the De Aar 2 South WEF Associated Developments

Delivery to these recipients or groups is complete, but no delivery notification was sent by the destination server:

lemoenkloof@lantic.net (lemoenkloof@lantic.net)

Subject: Notification of the Availability of Draft Basic Assessment Reports for the De Aar 2 South WEF Associated Developments



Notification of
the Availabili...

Aneesah Alwie

From: Lourens Leeuwner <lourensl@ewt.org.za>
To: De Aar
Sent: Monday, 19 October 2020 16:44
Subject: Read: Notification of the Availability of Draft Basic Assessment Reports for the De Aar 2 South WEF Associated Developments

Your message

To: Lourens Leeuwner
Subject: Notification of the Availability of Draft Basic Assessment Reports for the De Aar 2 South WEF Associated Developments
Sent: Monday, October 19, 2020 4:13:30 PM (UTC+02:00) Harare, Pretoria

was read on Monday, October 19, 2020 4:43:24 PM (UTC+02:00) Harare, Pretoria.

Disclaimer

The information contained in this communication from the sender is confidential. It is intended solely for use by the recipient and others authorized to receive it. If you are not the recipient, you are hereby notified that any disclosure, copying, distribution or taking action in relation of the contents of this information is strictly prohibited and may be unlawful.

This email has been scanned for viruses and malware, and may have been automatically archived by **Mimecast Ltd**, an innovator in Software as a Service (SaaS) for business. Providing a **safer** and **more useful** place for your human generated data. Specializing in; Security, archiving and compliance. To find out more [Click Here](#).

Aneesah Alwie

From: Isak Visser <visser@emthanjeni.co.za>
To: De Aar
Sent: Monday, 19 October 2020 16:36
Subject: Read: Read-Receipt: Notification of the Availability of Draft Basic Assessment Reports for the De Aar 2 South WEF Associated Developments

The message sent on 19 October 2020 14:13:30 GMT-00:00 to visser@emthanjeni.co.za with subject "Notification of the Availability of Draft Basic Assessment Reports for the De Aar 2 South WEF Associated Developments" has been displayed. This is no guarantee that the message has been read or understood.

All views or opinions expressed in this electronic message and its attachments are the view of the sender and do not necessarily reflect the views and opinions of Emthanjeni Municipality. No employee of Emthanjeni Municipality is entitled to conclude a binding contract on behalf of Emthanjeni Municipality unless he/she is an accounting officer of Emthanjeni Municipality, or his or her authorized representative. The information contained in this message and its attachments may be confidential or privileged and is for the use of the named recipient only, except where the sender specifically states otherwise. If you have received this email in error please notify the sender. The contents of this e-mail may not be forwarded to any third party outside of the organization that the named recipient represents unless given permission by the sender. If you are not the named addressee you should not disseminate, distribute or copy this e-mail.

Aneesah Alwie

From: Mail Delivery System <Mailer-Daemon@gbr1.gov.za>
To: tmthombeni@de.ncape.gov.za
Sent: Monday, 19 October 2020 16:29
Subject: Undeliverable: Notification of the Availability of Draft Basic Assessment Reports for the De Aar 2 South WEF Associated Developments

This message was created automatically by mail delivery software.

A message that you sent could not be delivered to one or more of its recipients. This is a permanent error. The following address(es) failed:

tmthombeni@de.ncape.gov.za
retry timeout exceeded

Aneesah Alwie

From: Microsoft Outlook
To: charltheron@mjvn.co.za
Sent: Monday, 19 October 2020 16:29
Subject: Relayed: Notification of the Availability of Draft Basic Assessment Reports for the De Aar 2 South WEF Associated Developments

Delivery to these recipients or groups is complete, but no delivery notification was sent by the destination server:

charltheron@mjvn.co.za (charltheron@mjvn.co.za)

Subject: Notification of the Availability of Draft Basic Assessment Reports for the De Aar 2 South WEF Associated Developments



Notification of
the Availabili...

Aneesah Alwie

From: Microsoft Outlook
To: tmthombeni@de.ncape.gov.za
Sent: Monday, 19 October 2020 16:29
Subject: Relayed: Notification of the Availability of Draft Basic Assessment Reports for the De Aar 2 South WEF Associated Developments

Delivery to these recipients or groups is complete, but no delivery notification was sent by the destination server:

tmthombeni@de.ncape.gov.za (tmthombeni@de.ncape.gov.za)

Subject: Notification of the Availability of Draft Basic Assessment Reports for the De Aar 2 South WEF Associated Developments



Notification of
the Availabili...

Aneesah Alwie

From: Natasha Higgitt <nhiggitt@sahra.org.za>
Sent: Monday, 19 October 2020 16:15
To: De Aar
Subject: Read: Notification of the Availability of Draft Basic Assessment Reports for the De Aar 2 South WEF Associated Developments
Attachments: Read: Notification of the Availability of Draft Basic Assessment Reports for the De Aar 2 South WEF Associated Developments

Natasha Higgitt
Heritage Officer: Archaeology, Palaeontology and Meteorites Unit

South African Heritage Resources Agency
- A nation united through heritage -

T: +27 21 462 4502/ 8660 | C:+27 82 507 0378 | F:+27 21 462 4509
E: nhiggitt@sahra.org.za | 111 Harrington Street | Cape Town |

www.sahra.org.za<<http://www.sahra.org.za/>>
[SAHRA Logo] [SAHRA Values] <www.sahra.org.za>

[SAHRA Logo]

Aneesah Alwie

From: postmaster@transnet.net
To: henry@transnet.co.za
Sent: Monday, 19 October 2020 16:14
Subject: Undeliverable: Notification of the Availability of Draft Basic Assessment Reports for the De Aar 2 South WEF Associated Developments

Delivery has failed to these recipients or groups:

henry@transnet.co.za

The email address you entered couldn't be found. Please check the recipient's email address and try to resend the message. If the problem continues, please contact your helpdesk.

Diagnostic information for administrators:

Generating server: JHBWEXDSI103.inter.transnet.net

henry@transnet.co.za

Remote Server returned '550 5.1.1 RESOLVER.ADR.RecipNotFound; not found'

Original message headers:

Received: from JHBWEXDSI107.inter.transnet.net (10.98.237.6) by JHBWEXDSI103.inter.transnet.net (10.98.237.8) with Microsoft SMTP Server (TLS) id 15.0.1497.2; Mon, 19 Oct 2020 16:13:57 +0200
Received: from za-smtp-1.mimecast.co.za (10.98.237.102) by smtp.transnet.net (10.98.237.6) with Microsoft SMTP Server (TLS) id 15.0.1497.2 via Frontend Transport; Mon, 19 Oct 2020 16:13:57 +0200
ARC-Message-Signature: i=2; a=rsa-sha256; c=relaxed/relaxed; d=dkim.mimecast.com; s=201903; t=1603116837; h=from:from:reply-to:subject:subject:date:date:message-id:message-id:to:to:cc:mime-version:mime-version:content-type:content-type:dkim-signature; bh=gRJaL2JizemHMrpTF3k/bivfiYCQfjsT2iELtdvpiwE; b=nfiUmzAfW6Py+4qSJ9F5byUyS3919ybTt6nTmlG3m/5+oF3B01JvlSgWV8ali0npGTvVzpDiJQhVsTJRQsR3JDfNnf8bjFaYvpPtKoRvULJIOkxiKR4IVE54pM3olw2SarvV/3gwcjTdgQQwSp96UK61/ZAE/wlw6rWlh2ioDLLccP090401AAbgdJiDmVQ0UQx819a9K6nrs7KZTNru+DpMORO9pMlUMtjyGyjGj5giOLwF/mC7/WRdzGtoGu7kEnGz17nOWWtVFJCLB5+b0JufJM766nlnLc0xHcwA3tYdEHvwHCYLonJBeQFXvxscsp+OtF8oN713sE4vs2DMSsA==
ARC-Seal: i=2; s=201903; d=dkim.mimecast.com; t=1603116837; a=rsa-sha256; cv=pass; b=UsT3GBNS4hN4d4d3myMJtfm6HNTWUJ95Bm0iL88mIM39tEos4WMXh+KcLiTYDIVRG8HfbrYMh9hy8rmw8mmPm0G0BAI7NOCpuq+3msIhQKnSwWmsYADVkFbk0GyrXH7T94rsXDBxXoMyzN+fegDbj f0rQKImbbWkNFTZ9sce/aWlK9grgIC4pksUFTD/xcd7PybhPkY6UcxRqSCeT7QC+hGN9IQ29GCsYdos30TmERD33eBLCAB8V1ZTO0160uuTIlfHvGY1WPozf08jYi5xulIhRDKDRo5+fd1lw9u+iBV7zWu1S4E3VJ858H713JAbAZ7DG79o7R+Qn9TC6d9ebg==
ARC-Authentication-Results: i=2; relay.mimecast.com;

dkim=pass header.d=arcusconsultingltd.onmicrosoft.com header.s=selector1-arcusconsultingltd-onmicrosoft-com header.b=NzxWmxvw;
arc=pass (microsoft.com:s=arcselector9901:i=1);
dmarc=none;
spf=pass (relay.mimecast.com: domain of deaar@arcusconsulting.co.za designates 40.107.11.112 as permitted sender) smtp.mailfrom=deaar@arcusconsulting.co.za
Received: from GBR01-CWL-obe.outbound.protection.outlook.com (mail-eopbgr110112.outbound.protection.outlook.com [40.107.11.112]) (Using TLS) by relay.mimecast.com with ESMTP id za-mta-87-e-cD0LHQMtqylionHrfNtQ-1; Mon, 19 Oct 2020 16:13:37 +0200
X-MC-Unique: e-cD0LHQMtqylionHrfNtQ-1
ARC-Seal: i=1; a=rsa-sha256; s=arcselector9901; d=microsoft.com; cv=none;

b=d6bljhwo021SUJmmjSQkbz5VgfpMzG1Ib/MApldzmKbjtKmr4xNnjyrb1eArRkrInIxZSYPoXMnUlQm/uQDmY37cfZ8qCU5Wf//I0ppYoGkOqLXccMAv+WXFLT10bUA/SuAutJZgByxl0ZaXVenmw4HCC5etkZn0JZx/cCfG8vOWuV9JdmLNB4/q9EXiQSW7gR3zIP6MBoIkZJneAWiYVVp409ZqyI0K507aud8MXILtLKTJIC5JHhzcq11wA2djiVzmxfeOSFfw7JfAfyNFncscsXF2I7wLXFeumwTWD3CUoKGQK/NEPw1K09b4b7G7w+Rd88/18UfTjyPl4kfyg==
ARC-Message-Signature: i=1; a=rsa-sha256; c=relaxed/relaxed; d=microsoft.com; s=arcselector9901;
h=From:Date:Subject:Message-ID:Content-Type:MIME-Version:X-MS-Exchange-SenderADCheck;
bh=tMCIVlvckcW9ljlXDaUYkrXeUBp6V6k52joAdfIrRS2s=;

b=C8EXueszw072mwAH/EH/Mi2+HzPiDKI6php2SgwbjmtWAlKWgGGKIW7BgbL4sgzRT/qqGmcjjP/QFRT0ZclAtKYsikJrwaNwJaUXScSWLvaiS6Va3HorOcuBonoByNJJA0i7lV+A4GoJ6Yp35BD9/bvFFSFZ9/QIoule8N4IjIs/6XnoWaPqO6FTCef+RtIvGzrfYXKgVffId64JtlyolunsJKg73mltxvVM2i3zMG53Q8efnutpvaalVMB99Ey0o/bwCeT7JPfGpVvhGNumAKKt1UXHIUOC2othywKi6QXvwRopaV6JntBOGggiC6lrAft2lhOiPsJN3Ywhk4UA==
ARC-Authentication-Results: i=1; mx.microsoft.com 1; spf=pass smtp.mailfrom=arcusconsulting.co.za; dmarc=pass action=none header.from=arcusconsulting.co.za; dkim=pass header.d=arcusconsulting.co.za; arc=none

DKIM-Signature: v=1; a=rsa-sha256; c=relaxed/relaxed; d=arcusconsultingltd.onmicrosoft.com; s=selector1-arcusconsultingltd-onmicrosoft-com; h=From:Date:Subject:Message-ID:Content-Type:MIME-Version:X-MS-Exchange-SenderADCheck; bh=tMCIVlvckcW9ljlXDaUYkrXeUBp6V6k52joAdfIrRS2s=;

b=NzxWmxvwF4KXKg4lcQijzMtG0cteBn2TZqFM4+r7H17zvAaS0y9tPJlGHSz+JrnQ4G4vZsE4bySRDB+B6adwd8s2h9TiQrjlvbjsvEL2ZOZREXyECN3SGmx+Cc37KH5esX3KA/qvOSyK2R5s219zBjMekxckkOQBwWEL2FM+ZU=
Received: from CWXP123MB2104.GBRP123.PROD.OUTLOOK.COM (2603:10a6:401:7c::10) by CWLP123MB3506.GBRP123.PROD.OUTLOOK.COM (2603:10a6:400:6d::14) with Microsoft SMTP Server (version=TLS1_2, cipher=TLS_ECDHE_RSA_WITH_AES_256_GCM_SHA384) id 15.20.3477.21; Mon, 19 Oct 2020 14:13:30 +0000

Received: from CWXP123MB2104.GBRP123.PROD.OUTLOOK.COM ([fe80::1cb9:755a:cdf6:1616]) by CWXP123MB2104.GBRP123.PROD.OUTLOOK.COM ([fe80::1cb9:755a:cdf6:1616%3]) with mapi id 15.20.3477.028; Mon, 19 Oct 2020 14:13:30 +0000

From: De Aar <deaar@arcusconsulting.co.za>
To: De Aar <deaar@arcusconsulting.co.za>
Subject: Notification of the Availability of Draft Basic Assessment Reports for the De Aar 2 South WEF Associated Developments
Thread-Topic: Notification of the Availability of Draft Basic Assessment Reports for the De Aar 2 South WEF Associated Developments
Thread-Index: AdamHuIeD4vxv/N/TWa/Rft4G+U84A==
Disposition-Notification-To: De Aar <deaar@arcusconsulting.co.za>
Return-Receipt-To: <deaar@arcusconsulting.co.za>
Date: Mon, 19 Oct 2020 14:13:30 +0000
Message-ID: <CWXP123MB210474F6C16580586643FB87931E0@CWXP123MB2104.GBRP123.PROD.OUTLOOK.COM>
Accept-Language: en-US
X-MS-Has-Attach: yes
X-MS-TNEF-Correlator:

x-ms-exchange-messagesentrepresentingtype: 1
x-originating-ip: [196.22.229.227]
x-ms-publictraffictype: Email
x-ms-office365-filtering-correlation-id: 485d324a-6a78-41db-4d2e-08d874392822
x-ms-traffictypediagnostic: CWLP123MB3506:
x-ms-exchange-transport-forked: True
x-microsoft-antispam-prvs:
<CWLP123MB3506264B81DA8D2BA8C202ACF41E0@CWLP123MB3506.GBRP123.PROD.OUTLOOK.COM>
x-ms-oob-tlc-oobclassifiers: OLM:10000
x-ms-exchange-senderadcheck: 1
x-microsoft-antispam: BCL:0
x-microsoft-antispam-message-info:
CbO/gRTUd4vFQzLE1tZE3crJ/IqAyI2Mg9fIewIoWeNB0i2fj6vwhYe3KnzcDk82zNVPPB7hQxwRZ/9ok7Q7hrNIR
fNsJifKl5QeZfW2mxYoW/ddXUrbsApzL/ejXQIhOk/+p/40BlG4aANNJORLbDYbX8+XIbpN2FWF/6Om8zCKEo+PcXA
Emt5NWDyKELw3bxV1tIVYtbCmcwZyJaU2/4vPgSYjHv+3bxmxh/7pN8byN9SbKJmYDR4f4Ld+QM0vn9bdSzdXDsSs
LDZ4levBScmqZqVS75CbokXr/HgV7e3fwFR5k+Ki2eKqrYrKWGZtXtvrR60vUy1Enh2VgSh9F2pVaAes2FwbM32Dy
Ti+zYwxurD42oL7l0GEDt07FJu6lLWdmQGSZXubbRtCIHDJQYQ==
x-forefront-antispam-report:
CIP:255.255.255.255;CTRY:;LANG:en;SCL:1;SRV:;IPV:NL;SFV:NSPM;H:CWXP123MB2104.GBRP123.PRO
D.OUTLOOK.COM;PTR:;CAT:NONE;SFS:(376002)(39840400004)(396003)(346002)(136003)(366004)(999
36003)(966005)(316002)(7696005)(55016002)(66476007)(66556008)(66946007)(64756008)(6644600
8)(66576008)(71200400001)(76116006)(52536014)(620010001)(8936002)(7406005)(186003)(73360
02)(6506007)(7366002)(9686003)(566030002)(26005)(8676002)(7416002)(83380400001)(33656002
) (478600001)(86362001)(6862004)(15650500001)(2906002)(166002);DIR:OUT;SFP:1102
x-ms-exchange-antispam-messagedata:
/sKEPw6cTiC0GlziZQS3W9rPvBUnVn70kdVHdbJ1x8b4jPJdRmcW6EAYTQVRLpmysCsumN5U4mcO4kt0Bm9OQBcPk
GD2RpsHiidjRXGPWCjlkqPrfY9DuiFnWisgX566EPlEdPjVVPX1BVTGMnAJQoGZOWJQvp5fuIlfeosOMwLeAQ8YJz
6l1dDc1NHbOTNqNIW64pcVtm6ozUpkzclqEp+AJRZX2obb1Y5hIDtVWWG+oE+zV9rxEU8YdxIRkZdem2gYrvV/U1
u16z4XumzI3OAt28ZwIpuw/CCXziFifhXTyXFGgOvurtMn+6VzIvqugaixVtAAmVVdTfEfpYc6yfnMIryEdA5RQaa
7GIp0JOHMJnm511qS61VMzwa54AoIF6hIVHK08y4EgnyH9So05dSOTX3qu6wvn+WNgh18ZzdNfRtj+QvKxQ9f0UND
3UlchU16eqqzw+pWV7jzPoAr2P8lGD98wFeDErhv4ifmjXEXV7W7w6UJohC8xDfiVdxxxcMRWw8yuMvYK9KJEZula
GJY7KS7bnznpSKmn/xlmadHzi/lnTGp6EQNsXTWvSFvHbMj fge/A9p/yI/miwM46PMgK2eu7MQj09TBftypaQJWCp
WucPeBBhF2bSDDzfU1RkdcWwJvUgcJNyHNrKmmQ==
MIME-Version: 1.0
X-MS-Exchange-CrossTenant-AuthAs: Internal
X-MS-Exchange-CrossTenant-AuthSource: CWXP123MB2104.GBRP123.PROD.OUTLOOK.COM
X-MS-Exchange-CrossTenant-Network-Message-Id: 485d324a-6a78-41db-4d2e-08d874392822
X-MS-Exchange-CrossTenant-originalarrivaltime: 19 Oct 2020 14:13:30.6690
(UTC)
X-MS-Exchange-CrossTenant-fromentityheader: Hosted
X-MS-Exchange-CrossTenant-id: d9bba7f2-9d82-4ebf-8cec-bcd827e07f80
X-MS-Exchange-CrossTenant-mailboxtype: HOSTED
X-MS-Exchange-CrossTenant-userprincipalname:
RA8GvboChqUzLbrE8mYZAfoEsL23vFWO6dPVA+0TUed7nw2sGsJxgnuzoyppDDwGD0OgNUYVGE+7giBgTAWeAs66fw
9WBR6CbWpLYKzssMtQ=
X-MS-Exchange-Transport-CrossTenantHeadersStamped: CWLP123MB3506
Authentication-Results: relay.mimecast.com;
dkim=pass header.d=arcusconsultingltd.onmicrosoft.com header.s=selector1-
arcusconsultingltd-onmicrosoft-com header.b=NzxWmxvw;
arc=pass (microsoft.com:s=arcselector9901:i=1);
dmarc=none;
spf=pass (relay.mimecast.com: domain of deaar@arcusconsulting.co.za designates
40.107.11.112 as permitted sender) smtp.mailfrom=deaar@arcusconsulting.co.za
X-Mimecast-Spam-Score: 2
X-Mimecast-Impersonation-Protect: Policy=3 hits, no action with tagging, notifications
issued;Similar Internal Domain=false;Similar Monitored External Domain=false;Custom
External Domain=false;Mimecast External Domain=false;Newly Observed Domain=false;Internal
User Name=false;Custom Display Name List=false;Reply-to Address Mismatch=false;Targeted
Threat Dictionary=false;Mimecast Threat Dictionary=false;Custom Threat Dictionary=false
Content-Language: en-US
Content-Type: multipart/mixed;
boundary="_008_CWXP123MB210474F6C16580586643FB87931E0CWXP123MB2104GBRP_"

Return-Path: deaar@arcusconsulting.co.za

DISCLAIMER: The information contained in this email and its attachments is both confidential and subject to copyright. If you are not the intended recipient, you are hereby notified not to read, disclose copy or use the contents thereof in any manner whatsoever, but are kindly requested to notify the sender and delete it immediately. This e-mail message does not create any legally binding contract between Transnet SOC LTD and the recipient, unless the contrary is specifically stated. Statements and opinions expressed in e-mails may not represent those of Transnet SOC LTD. While Transnet will take reasonable precautions, it cannot give any guarantee or warrant that this email will be free of virus infections, errors, interception and, therefore, cannot be held liable for any loss or damages incurred by the recipient, as a result of any of the above-mentioned factors.

Aneesah Alwie

From: Lizell Stroh <StrohL@caa.co.za>
Sent: Monday, 19 October 2020 16:14
To: De Aar
Subject: Automatic reply: Notification of the Availability of Draft Basic Assessment Reports for the De Aar 2 South WEF Associated Developments

Please be informed that I will be working on Wind and Solar projects until the end of October 2020. Please direct all general obstacle enquiries to the obstacle inspectorate on khanyileg@caa.co.za, Khozad@caa.co.za, MasilelaS@caa.co.za 011 545 1036 Canny (finance)

and invoice enquiries obstacles@caa.co.za,

kind regards

This email has been scanned for email related threats and delivered safely by Mimecast.
For more information please visit <http://www.mimecast.com>

Aneesah Alwie

From: Mail Delivery System <MAILER-DAEMON@hostserv.co.za>
To: engela.richter@aheadtrading.co.za
Sent: Monday, 19 October 2020 16:14
Subject: Relayed: Notification of the Availability of Draft Basic Assessment Reports for the De Aar 2 South WEF Associated Developments

This is the mail system at host spamtitan-filter02.hostserv.co.za.

Your message was successfully delivered to the destination(s) listed below. If the message was delivered to mailbox you will receive no further notifications. Otherwise you may still receive notifications of mail delivery errors from other systems.

The mail system

<engela.richter@aheadtrading.co.za>: delivery via



Message Headers

41.185.8.242[41.185.8.242]:25: 250 OK id=1kUVv6-0008qE-AH

Aneesah Alwie

From: Mail Delivery System <MAILER-DAEMON@hostserv.co.za>
To: dasc@oasisnet.co.za
Sent: Monday, 19 October 2020 16:14
Subject: Relayed: Notification of the Availability of Draft Basic Assessment Reports for the De Aar 2 South WEF Associated Developments

This is the mail system at host spamtitan-filter02.hostserv.co.za.

Your message was successfully delivered to the destination(s) listed below. If the message was delivered to mailbox you will receive no further notifications. Otherwise you may still receive notifications of mail delivery errors from other systems.

The mail system

<dasc@oasisnet.co.za>: delivery via 41.185.8.162[41.185.8.162]:25: 250 OK



Message Headers

id=1kUVv6-00038Y-Pm

Aneesah Alwie

From: Mail Delivery Subsystem <MAILER-DAEMON@da.tdp.co.za>
To: gawie@da.tdp.co.za
Sent: Monday, 19 October 2020 16:14
Subject: Delivered: Notification of the Availability of Draft Basic Assessment Reports for the De Aar 2 South WEF Associated Developments

The original message was received at Mon, 19 Oct 2020 16:13:44 +0200
from relay.da.tdp.co.za [172.16.1.1]

----- The following addresses had successful delivery notifications -----
<gawie@da.tdp.co.za> (successfully delivered to mailbox)

----- Transcript of session follows -----



Notification of
the Availabili...

<gawie@da.tdp.co.za>... Successfully delivered

Aneesah Alwie

From: Mail Delivery System <MAILER-DAEMON@mail.main.emthanjeni>
To: leandrews@emthanjeni.co.za; sbooyesen@emthanjeni.co.za; tallies@emthanjeni.co.za; visser@emthanjeni.co.za
Sent: Monday, 19 October 2020 16:14
Subject: Relayed: Notification of the Availability of Draft Basic Assessment Reports for the De Aar 2 South WEF Associated Developments

This is the mail system at host mail.main.emthanjeni.

Your message was successfully delivered to the destination(s) listed below. If the message was delivered to mailbox you will receive no further notifications. Otherwise you may still receive notifications of mail delivery errors from other systems.

The mail system

<leandrews@emthanjeni.co.za>: delivery via
mail.main.emthanjeni[192.168.1.11]:7025: 250 2.1.5 Delivery OK

<sbooyesen@emthanjeni.co.za>: delivery via
mail.main.emthanjeni[192.168.1.11]:7025: 250 2.1.5 Delivery OK

<tallies@emthanjeni.co.za>: delivery via
mail.main.emthanjeni[192.168.1.11]:7025: 250 2.1.5 Delivery OK

<visser@emthanjeni.co.za>: delivery via



Message Headers

mail.main.emthanjeni[192.168.1.11]:7025: 250 2.1.5 Delivery OK

Aneesah Alwie

From: Microsoft Outlook
To: sterrie@karooexperience.co.za
Sent: Monday, 19 October 2020 16:14
Subject: Relayed: Notification of the Availability of Draft Basic Assessment Reports for the De Aar 2 South WEF Associated Developments

Delivery to these recipients or groups is complete, but no delivery notification was sent by the destination server:

sterrie@karooexperience.co.za (sterrie@karooexperience.co.za)

Subject: Notification of the Availability of Draft Basic Assessment Reports for the De Aar 2 South WEF Associated Developments



Notification of
the Availabili...

Aneesah Alwie

From: postmaster@agrink.co.za
To: bestuurder@agrink.co.za
Sent: Monday, 19 October 2020 16:14
Subject: Delivered: Notification of the Availability of Draft Basic Assessment Reports for the De Aar 2 South WEF Associated Developments

Your message has been delivered to the following recipients:

bestuurder@agrink.co.za

Subject: Notification of the Availability of Draft Basic Assessment Reports for the De Aar 2 South WEF Associated Developments



Notification of
the Availabili...

Aneesah Alwie

From: Microsoft Outlook
To: hardind@eskom.co.za; WydemaH@eskom.co.za; John.geeringh@eskom.co.za
Sent: Monday, 19 October 2020 16:14
Subject: Relayed: Notification of the Availability of Draft Basic Assessment Reports for the De Aar 2 South WEF Associated Developments

Delivery to these recipients or groups is complete, but no delivery notification was sent by the destination server:

[hardind@eskom.co.za \(hardind@eskom.co.za\)](mailto:hardind@eskom.co.za)

[WydemaH@eskom.co.za \(WydemaH@eskom.co.za\)](mailto:WydemaH@eskom.co.za)

[John.geeringh@eskom.co.za \(John.geeringh@eskom.co.za\)](mailto:John.geeringh@eskom.co.za)

Subject: Notification of the Availability of Draft Basic Assessment Reports for the De Aar 2 South WEF Associated Developments



Notification of
the Availabili...

Aneesah Alwie

From: Inext Amphibic Mail System <InextAmphibicPostmaster@inext.co.za>
Sent: Monday, 19 October 2020 16:14
To: De Aar
Subject: Delivery notification (success)
Attachments: ATT00001; Notification of the Availability of Draft Basic Assessment Reports for the De Aar 2 South WEF Associated Developments

The original message was received at Mon, 19 Oct 2020 16:13:40 +0200

Your message was successfully delivered to:
<rcwangae@nbkb.org.za>

Aneesah Alwie

From: Microsoft Outlook
To: manamathelas@dws.gov.za; Shibambus@dws.gov.za; CloeteS@dws.gov.za
Sent: Monday, 19 October 2020 16:14
Subject: Relayed: Notification of the Availability of Draft Basic Assessment Reports for the De Aar 2 South WEF Associated Developments

Delivery to these recipients or groups is complete, but no delivery notification was sent by the destination server:

[manamathelas@dws.gov.za \(manamathelas@dws.gov.za\)](mailto:manamathelas@dws.gov.za)

[Shibambus@dws.gov.za \(Shibambus@dws.gov.za\)](mailto:Shibambus@dws.gov.za)

[CloeteS@dws.gov.za \(CloeteS@dws.gov.za\)](mailto:CloeteS@dws.gov.za)

Subject: Notification of the Availability of Draft Basic Assessment Reports for the De Aar 2 South WEF Associated Developments



Notification of
the Availabili...

Aneesah Alwie

From: Microsoft Outlook
To: Gareth@ewt.org.za; lourensl@ewt.org.za; eia@ewt.org.za
Sent: Monday, 19 October 2020 16:14
Subject: Relayed: Notification of the Availability of Draft Basic Assessment Reports for the De Aar 2 South WEF Associated Developments

Delivery to these recipients or groups is complete, but no delivery notification was sent by the destination server:

Gareth@ewt.org.za (Gareth@ewt.org.za)

lourensl@ewt.org.za (lourensl@ewt.org.za)

eia@ewt.org.za (eia@ewt.org.za)

Subject: Notification of the Availability of Draft Basic Assessment Reports for the De Aar 2 South WEF Associated Developments



Notification of
the Availabili...

Aneesah Alwie

From: Microsoft Outlook
To: CloeteS@dwa.gov.za; blairv@dwa.gov.za
Sent: Monday, 19 October 2020 16:14
Subject: Relayed: Notification of the Availability of Draft Basic Assessment Reports for the De Aar 2 South WEF Associated Developments

Delivery to these recipients or groups is complete, but no delivery notification was sent by the destination server:

[CloeteS@dwa.gov.za \(CloeteS@dwa.gov.za\)](mailto:CloeteS@dwa.gov.za)

[blairv@dwa.gov.za \(blairv@dwa.gov.za\)](mailto:blairv@dwa.gov.za)

Subject: Notification of the Availability of Draft Basic Assessment Reports for the De Aar 2 South WEF Associated Developments



Notification of
the Availabili...

Aneesah Alwie

From: Microsoft Outlook
To: reventer@adsactive.com
Sent: Monday, 19 October 2020 16:14
Subject: Relayed: Notification of the Availability of Draft Basic Assessment Reports for the De Aar 2 South WEF Associated Developments

Delivery to these recipients or groups is complete, but no delivery notification was sent by the destination server:

reventer@adsactive.com (reventer@adsactive.com)

Subject: Notification of the Availability of Draft Basic Assessment Reports for the De Aar 2 South WEF Associated Developments



Notification of
the Availabili...

Aneesah Alwie

From: Microsoft Outlook
To: Emokgangedi@environment.gov.za; StanleyT@environment.gov.za;
smancotywa@environment.gov.za; PMakitla@environment.gov.za
Sent: Monday, 19 October 2020 16:14
Subject: Relayed: Notification of the Availability of Draft Basic Assessment Reports for the De Aar 2 South WEF Associated Developments

Delivery to these recipients or groups is complete, but no delivery notification was sent by the destination server:

Emokgangedi@environment.gov.za (Emokgangedi@environment.gov.za)

StanleyT@environment.gov.za (StanleyT@environment.gov.za)

smancotywa@environment.gov.za (smancotywa@environment.gov.za)

PMakitla@environment.gov.za (PMakitla@environment.gov.za)

Subject: Notification of the Availability of Draft Basic Assessment Reports for the De Aar 2 South WEF Associated Developments



Notification of
the Availabili...

Aneesah Alwie

From: Microsoft Outlook
To: sebatso.mokuele@energy.gov.za
Sent: Monday, 19 October 2020 16:14
Subject: Relayed: Notification of the Availability of Draft Basic Assessment Reports for the De Aar 2 South WEF Associated Developments

Delivery to these recipients or groups is complete, but no delivery notification was sent by the destination server:

sebatso.mokuele@energy.gov.za (sebatso.mokuele@energy.gov.za)

Subject: Notification of the Availability of Draft Basic Assessment Reports for the De Aar 2 South WEF Associated Developments



Notification of
the Availabili...

Aneesah Alwie

From: postmaster@birdlife.org.za
To: energy@birdlife.org.za
Sent: Monday, 19 October 2020 16:14
Subject: Delivered: Notification of the Availability of Draft Basic Assessment Reports for the De Aar 2 South WEF Associated Developments

Your message has been delivered to the following recipients:

energy@birdlife.org.za

Subject: Notification of the Availability of Draft Basic Assessment Reports for the De Aar 2 South WEF Associated Developments



Notification of
the Availabili...

Aneesah Alwie

From: Sam Ralston <energy@birdlife.org.za>
Sent: Monday, 19 October 2020 16:14
To: De Aar
Subject: Automatic reply: Notification of the Availability of Draft Basic Assessment Reports for the De Aar 2 South WEF Associated Developments

Thank you for your email.

I am on sick leave, but will get back to you as soon as I can.

Regards

Sam

Aneesah Alwie

From: Microsoft Outlook
To: bfisher@ncpg.gov.za; ahall@ncpg.gov.za; Lucindavanwyk@ncpg.gov.za; KNogwili@ncpg.gov.za; rbarlow@ncpg.gov.za; zschmidt@ncpg.gov.za; kegakilwe@ncpg.gov.za; mmogorosi@ncpg.gov.za; tmakaudi@ncpg.gov.za; tmthombeni@ncpg.gov.za
Sent: Monday, 19 October 2020 16:14
Subject: Relayed: Notification of the Availability of Draft Basic Assessment Reports for the De Aar 2 South WEF Associated Developments

Delivery to these recipients or groups is complete, but no delivery notification was sent by the destination server:

bfisher@ncpg.gov.za (bfisher@ncpg.gov.za)

ahall@ncpg.gov.za (ahall@ncpg.gov.za)

Lucindavanwyk@ncpg.gov.za (Lucindavanwyk@ncpg.gov.za)

KNogwili@ncpg.gov.za (KNogwili@ncpg.gov.za)

rbarlow@ncpg.gov.za (rbarlow@ncpg.gov.za)

zschmidt@ncpg.gov.za (zschmidt@ncpg.gov.za)

kegakilwe@ncpg.gov.za (kegakilwe@ncpg.gov.za)

mmogorosi@ncpg.gov.za (mmogorosi@ncpg.gov.za)

tmakaudi@ncpg.gov.za (tmakaudi@ncpg.gov.za)

tmthombeni@ncpg.gov.za (tmthombeni@ncpg.gov.za)

Subject: Notification of the Availability of Draft Basic Assessment Reports for the De Aar 2 South WEF Associated Developments



Notification of
the Availabili...

Aneesah Alwie

From: Microsoft Outlook
To: Strohl@caa.co.za; obstacles@caa.co.za
Sent: Monday, 19 October 2020 16:14
Subject: Relayed: Notification of the Availability of Draft Basic Assessment Reports for the De Aar 2 South WEF Associated Developments

Delivery to these recipients or groups is complete, but no delivery notification was sent by the destination server:

[Strohl@caa.co.za \(Strohl@caa.co.za\)](mailto:Strohl@caa.co.za)

[obstacles@caa.co.za \(obstacles@caa.co.za\)](mailto:obstacles@caa.co.za)

Subject: Notification of the Availability of Draft Basic Assessment Reports for the De Aar 2 South WEF Associated Developments



Notification of
the Availabili...

Aneesah Alwie

From: Microsoft Outlook
To: zandra@hen1.co.za
Sent: Monday, 19 October 2020 16:14
Subject: Relayed: Notification of the Availability of Draft Basic Assessment Reports for the De Aar 2 South WEF Associated Developments

Delivery to these recipients or groups is complete, but no delivery notification was sent by the destination server:

zandra@hen1.co.za (zandra@hen1.co.za)

Subject: Notification of the Availability of Draft Basic Assessment Reports for the De Aar 2 South WEF Associated Developments



Notification of
the Availabili...

Aneesah Alwie

From: Microsoft Outlook
To: nhiggitt@sahra.org.za
Sent: Monday, 19 October 2020 16:14
Subject: Relayed: Notification of the Availability of Draft Basic Assessment Reports for the De Aar 2 South WEF Associated Developments

Delivery to these recipients or groups is complete, but no delivery notification was sent by the destination server:

nhiggitt@sahra.org.za (nhiggitt@sahra.org.za)

Subject: Notification of the Availability of Draft Basic Assessment Reports for the De Aar 2 South WEF Associated Developments



Notification of
the Availabili...

Aneesah Alwie

From: Microsoft Outlook
To: henry@transnet.co.za
Sent: Monday, 19 October 2020 16:14
Subject: Relayed: Notification of the Availability of Draft Basic Assessment Reports for the De Aar 2 South WEF Associated Developments

Delivery to these recipients or groups is complete, but no delivery notification was sent by the destination server:

henry@transnet.co.za (henry@transnet.co.za)

Subject: Notification of the Availability of Draft Basic Assessment Reports for the De Aar 2 South WEF Associated Developments



Notification of
the Availabili...

Aneesah Alwie

From: Microsoft Outlook
To: mboniswaa@nra.co.za; abrahamsn@nra.co.za
Sent: Monday, 19 October 2020 16:14
Subject: Relayed: Notification of the Availability of Draft Basic Assessment Reports for the De Aar 2 South WEF Associated Developments

Delivery to these recipients or groups is complete, but no delivery notification was sent by the destination server:

mboniswaa@nra.co.za (mboniswaa@nra.co.za)

abrahamsn@nra.co.za (abrahamsn@nra.co.za)

Subject: Notification of the Availability of Draft Basic Assessment Reports for the De Aar 2 South WEF Associated Developments



Notification of
the Availabili...

Aneesah Alwie

From: Microsoft Outlook
To: atiplady@ska.ac.za; enquiries@ska.ac.za
Sent: Monday, 19 October 2020 16:14
Subject: Relayed: Notification of the Availability of Draft Basic Assessment Reports for the De Aar 2 South WEF Associated Developments

Delivery to these recipients or groups is complete, but no delivery notification was sent by the destination server:

atiplady@ska.ac.za (atiplady@ska.ac.za)

enquiries@ska.ac.za (enquiries@ska.ac.za)

Subject: Notification of the Availability of Draft Basic Assessment Reports for the De Aar 2 South WEF Associated Developments



Notification of
the Availabili...

Aneesah Alwie

From: Microsoft Outlook
To: renosterbergmun@xsinet.co.za; renosterberg_mun@xsinet.co.za
Sent: Monday, 19 October 2020 16:14
Subject: Undeliverable: Notification of the Availability of Draft Basic Assessment Reports for the De Aar 2 South WEF Associated Developments



Your message couldn't be delivered to multiple recipients.

The recipients weren't found at xsinet.co.za.

deaar	Office 365	Recipients
Action Required		Recipients
Unknown To address		

Couldn't deliver to the following recipients:
renosterbergmun@xsinet.co.za, renosterberg_mun@xsinet.co.za

How to Fix It

The address may be misspelled or may not exist. Try one or more of the following:

- Send the message again following these steps: In Outlook, open this non-delivery report (NDR) and choose **Send Again** from the Report ribbon. In Outlook on the web, select this NDR, then select the link "**To send this message again, click here.**" Then delete and retype the entire recipient address. If prompted with an Auto-Complete List suggestion don't select it. After typing the complete address, click **Send**.
- Contact the recipient (by phone, for example) to check that the address exists and is correct.
- The recipient may have set up email forwarding to an incorrect address. Ask them to check that any forwarding they've set up is working correctly.
- Clear the recipient Auto-Complete List in Outlook or Outlook on the web by following the steps in this article: [Fix email delivery issues for error code 5.1.1 in Office 365](#), and then send the message again. Retype the entire recipient address before selecting **Send**.

If the problem continues, forward this message to your email admin. If you're an email admin, refer to the **More Info for Email Admins** section below.

Was this helpful? [Send feedback to Microsoft.](#)

More Info for Email Admins

Status code: 550 5.1.1

This error occurs because the sender sent a message to an email address outside of Office 365, but the address is incorrect or doesn't exist at the destination domain. The error is reported by the recipient domain's email server, but most often it must be fixed by the person who sent the message. If the steps in the **How to Fix It** section above don't fix the problem, and you're the email admin for the recipient, try one or more of the following:

The email address exists and is correct - Confirm that the recipient address exists, is correct, and is accepting messages.

Synchronize your directories - If you have a hybrid environment and are using directory synchronization make sure the recipient's email address is synced correctly in both Office 365 and in your on-premises directory.

Errant forwarding rule - Check for forwarding rules that aren't behaving as expected. Forwarding can be set up by an admin via mail flow rules or mailbox forwarding address settings, or by the recipient via the Inbox Rules feature.

Mail flow settings and MX records are not correct - Misconfigured mail flow or MX record settings can cause this error. Check your Office 365 mail flow settings to make sure your domain and any mail flow connectors are set up correctly. Also, work with your domain registrar to make sure the MX records for your domain are configured correctly.

For more information and additional tips to fix this issue, see [Fix email delivery issues for error code 550 5.1.1 in Office 365](#).

Original Message Details

Created Date: 10/19/2020 2:13:30 PM
Sender Address: deaar@arcusconsulting.co.za
Recipient Address: renosterbergmun@xsinet.co.za, renosterberg_mun@xsinet.co.za
Subject: Notification of the Availability of Draft Basic Assessment Reports for the De Aar 2 South WEF Associated Developments

Error Details

Reported error: 550 5.1.1 <renosterbergmun@xsinet.co.za>... User unknown
DSN generated by: CWLP123MB3506.GBRP123.PROD.OUTLOOK.COM
Remote server: fortimail-02.voxtelecom.co.za

Message Hops

HOP	TIME (UTC)	FROM	TO	WITH
1	10/19/2020 2:13:30 PM	CWXP123MB2104.GBRP123.PROD.OUTLOOK.COM	CWXP123MB2104.GBRP123.PROD.OUTLOOK.COM	mapi
2	10/19/2020 2:13:30 PM	CWXP123MB2104.GBRP123.PROD.OUTLOOK.COM	CWLP123MB3506.GBRP123.PROD.OUTLOOK.COM	Microsoft SMTP Cipher=TLS_E

Original Message Headers

ARC-Seal: i=1; a=rsa-sha256; s=arcselector9901; d=microsoft.com; cv=none;

b=d6bljhwo021SUJmmjSQkbz5VgfpMzG1Ib/MApldzmKbjtKmr4xNnjyrB1eArRkrInIxZSYPoXMnUlQm/uQDmY37cfZ8qCU5Wf//I0ppYoGkOqLXccMAv+WXFLT10bUA/SuAUtJZgByxl0ZaXVenmw4HCC5etkZN0JZx/cCfg8vOWuV9JdmLNB4/q9EXiQSW7gR3zIP6MBoIkZJneAWiYVVP409ZqyI0K5O7aud8MXILtLKTJIC5JHhzcq11wA2djiVzmxfeOSFfw7JfAfyNFncscsXF2I7wLXFfeumwTWD3CUoKGQK/NEPw1K09b4b7G7w+Rd88/18UfTjyPl4kfyg==

ARC-Message-Signature: i=1; a=rsa-sha256; c=relaxed/relaxed; d=microsoft.com; s=arcselector9901;

h=From:Date:Subject:Message-ID:Content-Type:MIME-Version:X-MS-Exchange-SenderADCheck;

bh=tMCIVlvckcW91jlxDaUYkrXeUBp6Vk52joAdfIrRS2s=;

b=C8EXueszw072mWAH/EH/Mi2+HzPiDKI6php2SgwbjmtWAlKWgGGKIW7BgbL4sgzRT/qqGmcjjP/QFRT0ZclAtKYsikJrwaNwJaUXScSWLvaiS6Va3HorOcuBonoByNJJA0i7lV+A4GoJ6Yp35BD9/bvFFSFZ9/QIoule8N4IjIs/6XnoWaPqO6FTCef+RtIvGzrfYXKgVfId64JtlyolunsJKg73mltxvVM2i3zMg53Q8efnutpvOa1VMb99Ey0o/bwCeT7JPfGOpvwhGNumAKKt1UXHIUOC2othywKi6QXvwRopaV6JntBOGggiC6lrAft2lhOiPsJN3Ywhk4UA==

ARC-Authentication-Results: i=1; mx.microsoft.com 1; spf=pass

smtp.mailfrom=arcusconsulting.co.za; dmarc=pass action=none

header.from=arcusconsulting.co.za; dkim=pass header.d=arcusconsulting.co.za;

arc=none

DKIM-Signature: v=1; a=rsa-sha256; c=relaxed/relaxed;

d=arcusconsultingltd.onmicrosoft.com;

s=selector1-arcusconsultingltd-onmicrosoft-com;

h=From:Date:Subject:Message-ID:Content-Type:MIME-Version:X-MS-Exchange-SenderADCheck;

bh=tMCIVlvckcW91jlxDaUYkrXeUBp6Vk52joAdfIrRS2s=;

b=NzxWmxvF4KXKg4lcQijzMtG0cteBn2TZqFM4+r7H17zvAaS0y9tPJlgHSz+JrnQ4G4vZsE4bySRDB+B6adwd8s2h9TiQrjlvbjsvEL2ZozREXyECN3SGmx+Cc37KH5esX3KA/qvOSyK2R5s219zBjMekxckkOQBWwEL2FM+ZU=

Received: from CWXP123MB2104.GBRP123.PROD.OUTLOOK.COM (2603:10a6:401:7c::10)

by CWLP123MB3506.GBRP123.PROD.OUTLOOK.COM (2603:10a6:400:6d::14) with

Microsoft SMTP Server (version=TLS1_2,

cipher=TLS_ECDHE_RSA_WITH_AES_256_GCM_SHA384) id 15.20.3477.21; Mon, 19 Oct

2020 14:13:30 +0000

Received: from CWXP123MB2104.GBRP123.PROD.OUTLOOK.COM

([fe80::1cb9:755a:cdf6:1616]) by CWXP123MB2104.GBRP123.PROD.OUTLOOK.COM

([fe80::1cb9:755a:cdf6:1616%3]) with mapi id 15.20.3477.028; Mon, 19 Oct 2020

14:13:30 +0000

From: De Aar <deaar@arcusconsulting.co.za>

To: De Aar <deaar@arcusconsulting.co.za>

Subject: Notification of the Availability of Draft Basic Assessment Reports
for the De Aar 2 South WEF Associated Developments
Thread-Topic: Notification of the Availability of Draft Basic Assessment
Reports for the De Aar 2 South WEF Associated Developments
Thread-Index: AdamHuIeD4vxv/N/TWa/Rft4G+U84A==
Disposition-Notification-To: De Aar <deaar@arcusconsulting.co.za>
Return-Receipt-To: <deaar@arcusconsulting.co.za>
Date: Mon, 19 Oct 2020 14:13:30 +0000
Message-ID:
<CWXP123MB210474F6C16580586643FB87931E0@CWXP123MB2104.GBRP123.PROD.OUTLOOK.COM>
Accept-Language: en-US
Content-Language: en-US
X-MS-Has-Attach: yes
X-MS-TNEF-Correlator:
authentication-results: arcusconsulting.co.za; dkim=none (message not signed)
header.d=none;arcusconsulting.co.za; dmarc=none action=none
header.from=arcusconsulting.co.za;
x-ms-exchange-messagesentrepresentingtype: 1
x-originating-ip: [196.22.229.227]
x-ms-publictraffictype: Email
x-ms-office365-filtering-correlation-id: 485d324a-6a78-41db-4d2e-08d874392822
x-ms-traffictypediagnostic: CWLP123MB3506:
x-ms-exchange-transport-forked: True
x-microsoft-antispam-prvs:
<CWLP123MB3506264B81DA8D2BA8C202ACF41E0@CWLP123MB3506.GBRP123.PROD.OUTLOOK.COM>
x-ms-oob-tlc-oobclassifiers: OLM:10000;
x-ms-exchange-senderadcheck: 1
x-microsoft-antispam: BCL:0;
x-microsoft-antispam-message-info:
CbO/gRTUd4vFQzle1tZE3crJ/IqAyI2Mg9fIewIoWeNB0i2fj6vwhYe3KnzcDk82zNVPPB7hQxwRZ/9ok7Q7hrNIR
fNsJifKl5QeZfW2mxYoW/ddXUrbsApzL/ejXQIhOk/+p/40B1G4aANNJORLbDYbX8+XIbpN2FWF/6Om8zCKEo+PcXA
Emt5NWDykeLw3bxV1tIVYtbCmcwZyJaU2/4vPgSYjHv+3bxmxh/7pN8byN9SbKJmYDR4f4Ld+QM0vn9bdSzdXDSS
LDZ41levBScmqzqVS75CbokXr/HgV7e3fwFR5k+Ki2eKqrYrKWGZtXtvrR60vUy1Enh2VgSh9F2pVaAes2FwbM32Dy
Ti+zYwxurD42oL7l0GEDt07FJu6lLWdmQSZXubbRtCIHDJQYQ==
x-forefront-antispam-report:
CIP:255.255.255.255;CTRY:;LANG:en;SCL:1;SRV:;IPV:NLI;SFV:NSPM;H:CWXP123MB2104.GBRP123.PRO
D.OUTLOOK.COM;PTR:;CAT:NONE;SFS:(376002)(39840400004)(396003)(346002)(136003)(366004)(999
36003)(966005)(316002)(7696005)(55016002)(66476007)(66556008)(66946007)(64756008)(6644600
8)(66576008)(71200400001)(76116006)(52536014)(6200100001)(8936002)(7406005)(186003)(73360
02)(6506007)(7366002)(9686003)(5660300002)(26005)(8676002)(7416002)(83380400001)(33656002
) (478600001)(86362001)(6862004)(15650500001)(2906002)(166002);DIR:OUT;SFP:1102;
x-ms-exchange-antispam-messagedata:
/sKEPw6cTiC0GlziZQS3W9rPvBUNVn70kdVHdbJ1x8b4jPjDrmcW6EAYTQVRLpmysCsumN5U4mc04kt0Bm9OQBcPk
GD2RpsiidjRXGPWCjlkqPRfY9DuiFnWisgX566EPlEdPjVVPX1BVTGMnAJQoGZOWJQvp5fuIlfeosOMwLeAQ8YJz
61ldDc1NHbOTNqNIW64pcVtm6ozUpkzclqpEp+AJRZX2obb1Y5hIDtVWWG+oE+zV9rxEU8YdxIRkZdem2gYrvV/U1
u16z4XumzI3OAt28ZwIpuw/CCXziFifhXTyXFGgOvurtMn+6VzIvqugaixVtAAmVVdTfEfpYc6yfnMIryEdA5RQaa
7GIp0JOHmJnm511qS61VMzwa54AoIF6hIVHK08y4EgnyH9So05dSOTX3qu6wvn+WNgh18ZzdNfRtj+QvKxQ9f0UNd
3U1chU16eqqzw+pWV7jzPoAr2P8lGD98wFeDerhv4ifmJXEXV7W7w6UJohC8xDfiVdxxcMRWw8yuMvYK9KJEZula
GJY7KS7bnznpsKmn/xlmadHzi/lnTGp6EQNsXTWvSFvHbMj fge/A9p/yI/miwM46PMgK2eu7MQj09TBftyapQJWCp
WucPeBBhF2bSDDzfU1RkdcWwJvUgcJNyHNrKmmQ==
Content-Type: multipart/mixed;
boundary="_008_CWXP123MB210474F6C16580586643FB87931E0CWXP123MB2104GBRP_"

MIME-Version: 1.0
X-OriginatorOrg: arcusconsulting.co.za
X-MS-Exchange-CrossTenant-AuthAs: Internal
X-MS-Exchange-CrossTenant-AuthSource: CWXP123MB2104.GBRP123.PROD.OUTLOOK.COM
X-MS-Exchange-CrossTenant-Network-Message-Id: 485d324a-6a78-41db-4d2e-08d874392822
X-MS-Exchange-CrossTenant-originalarrivaltime: 19 Oct 2020 14:13:30.6690
(UTC)
X-MS-Exchange-CrossTenant-fromentityheader: Hosted
X-MS-Exchange-CrossTenant-id: d9bba7f2-9d82-4ebf-8cec-bcd827e07f80
X-MS-Exchange-CrossTenant-mailboxtype: HOSTED
X-MS-Exchange-CrossTenant-userprincipalname:
RA8GvboChqUzLbrE8mYZAfoEsL23vFWO6dPVA+0TUed7nw2sGsjxgnuzoypDDwGD0OgNUYVGE+7giBgTAWeAs66fw
9WBR6CbWplyKzssMtQ=
X-MS-Exchange-Transport-CrossTenantHeadersStamped: CWLP123MB3506

Aneesah Alwie

From: Microsoft Outlook
To: dearmun@intekom.co.za
Sent: Monday, 19 October 2020 16:14
Subject: Relayed: Notification of the Availability of Draft Basic Assessment Reports for the De Aar 2 South WEF Associated Developments

Delivery to these recipients or groups is complete, but no delivery notification was sent by the destination server:

dearmun@intekom.co.za (dearmun@intekom.co.za)

Subject: Notification of the Availability of Draft Basic Assessment Reports for the De Aar 2 South WEF Associated Developments



Notification of
the Availabili...

Aneesah Alwie

From: Microsoft Outlook
To: janventer2@telkomsa.net; stoffelver@telkomsa.net; pixley@telkomsa.net;
taifun@telkomsa.net
Sent: Monday, 19 October 2020 16:14
Subject: Relayed: Notification of the Availability of Draft Basic Assessment Reports for the De Aar 2 South WEF Associated Developments

Delivery to these recipients or groups is complete, but no delivery notification was sent by the destination server:

janventer2@telkomsa.net (janventer2@telkomsa.net)

stoffelver@telkomsa.net (stoffelver@telkomsa.net)

pixley@telkomsa.net (pixley@telkomsa.net)

taifun@telkomsa.net (taifun@telkomsa.net)

Subject: Notification of the Availability of Draft Basic Assessment Reports for the De Aar 2 South WEF Associated Developments



Notification of
the Availabili...

Aneesah Alwie

From: Microsoft Outlook
To: mzamo.mtubu@lgnet.org.za
Sent: Monday, 19 October 2020 16:14
Subject: Undeliverable: Notification of the Availability of Draft Basic Assessment Reports for the De Aar 2 South WEF Associated Developments



Your message to mzamo.mtubu@lgnet.org.za couldn't be delivered.

deaar is not authorized to relay messages through the server that reported this error.

deaar Sender	Office 365	mzamo.mtubu Action Required Sender not authorized for relay
------------------------	-------------------	---

How to Fix It

When Office 365 tried to send your message to the next server outside Office 365, that server reported an error that it couldn't relay your message. It's likely that the email server isn't correctly set up to receive and relay messages from your organization.

To fix this issue, forward this non-delivery report (NDR) to your email admin.

Was this helpful? [Send feedback to Microsoft.](#)

More Info for Email Admins

Status code: 550 5.7.367

The sender's message was routed to an email server outside Office 365 that returned an error that it can't relay the message. It's likely that the server isn't set up correctly to receive and relay messages sent from arcusconsulting.co.za or from **deaar**.

The receiving server is not an Office 365 server - it's likely one of your on-premises servers in a hybrid environment, a server at a smart host email service that you're trying to route messages through, or possibly a server at an email hosting service you used in

the past (for example, when your MX record still points to your previous email service provider). To fix this issue, try one or more of the following:

Check the error shown in the "Error Details" section below - Check the error to determine what domain, service, or server is reporting the error. The email server needs to be configured to either accept messages from anonymous users or to include the sending domain or sending IP address in its list of authenticated senders. On an on-premises Exchange server, you can set this up in the server's receive connector. If it's a smart host managed by another service or partner, contact the service or partner and ask them to configure their servers to accept and relay messages from your domain or from your senders.

Make sure your MX/DNS records are correct - Work with your DNS hosting provider (your domain registrar, Web hosting provider, or ISP) to make sure your MX records are correctly set up to direct messages to the correct location.

Unfortunately, Office 365 support can't help fix this problem because it's likely due to misconfigured settings on an email server outside Office 365.

Original Message Details

Created Date: 10/19/2020 2:13:30 PM
Sender Address: deaar@arcusconsulting.co.za
Recipient Address: mzamo.mtubu@lgnnet.org.za
Subject: Notification of the Availability of Draft Basic Assessment Reports for the De Aar 2 South WEF Associated Developments

Error Details

Reported error: 550 5.7.367 Remote server returned not permitted to relay -> 550 relay not permitted
DSN generated by: CWLP123MB3506.GBRP123.PROD.OUTLOOK.COM
Remote server: securemail-pl-mx25.synaq.com

Message Hops

HOP	TIME (UTC)	FROM	TO	WITH
1	10/19/2020 2:13:30 PM	CWXP123MB2104.GBRP123.PROD.OUTLOOK.COM	CWXP123MB2104.GBRP123.PROD.OUTLOOK.COM	mapi
2	10/19/2020 2:13:30 PM	CWXP123MB2104.GBRP123.PROD.OUTLOOK.COM	CWLP123MB3506.GBRP123.PROD.OUTLOOK.COM	Microsoft SMTP; Cipher=TLS_E

Original Message Headers

ARC-Seal: i=1; a=rsa-sha256; s=arcselector9901; d=microsoft.com; cv=none;

b=d6bljhwo021SUJmmjSQkbz5VgfpMzG1Ib/MAp1dzmKbjtKmr4xNnjyrB1eArRkrInIxZSYPoXMnU1Qm/uQDmY37cfZ8qCU5Wf//I0ppYoGkOqLXccMAv+WXFLT10bUA/SuAUtJZgByx10ZaXVenmw4HCC5etkZN0JZx/cCfG8vOWuV9JdmLNB4/q9EXiQSW7gR3zIP6MBoIkZJneAWiYVVp409ZqyI0K5O7aud8MXILtLKTJIC5JHhzcq11wA2djiVzmxfeOSFfw7JfAfyNFncscsXF2I7wLXFfeumwTWD3CUoKGQK/NEPw1K09b4b7G7w+Rd88/18UfTjyPl4kfyg==

ARC-Message-Signature: i=1; a=rsa-sha256; c=relaxed/relaxed; d=microsoft.com;
s=arcselector9901;
h=From:Date:Subject:Message-ID:Content-Type:MIME-Version:X-MS-Exchange-SenderADCheck;
bh=tMCIVlvckcW9lj1XDaUYkrXeUBp6Vk52joAdfIrRS2s=;

b=C8EXueszwO72mwAH/EH/Mi2+HzPiDKI6php2SgwbjmtWAlKWgGGKIW7BgbL4sgzRT/qqGmcjjP/QFRT0ZclAtKY
sikJrwaNwJaUXScSWLvaiS6Va3HorOcuBonoByNJJA0i7lV+A4GoJ6Yp35BD9/bvFFSFZ9/QIoule8N4IjIs/6Xno
WaPqO6FTCef+RtIvGzrfYXKgVFfId64JtlyolunsJKg73mltxvVM2i3zMg53Q8efnutpvOa1VMb99Ey0o/bwCeT7J
PfgOPvvhGNumAKKt1UXHIUOC2othywKi6QXvwRopaV6JntBOGggiC6lrAft2lhOiPsJN3YwhkJ4UA==

ARC-Authentication-Results: i=1; mx.microsoft.com 1; spf=pass
smtp.mailfrom=arcusconsulting.co.za; dmarc=pass action=none
header.from=arcusconsulting.co.za; dkim=pass header.d=arcusconsulting.co.za;
arc=none

DKIM-Signature: v=1; a=rsa-sha256; c=relaxed/relaxed;
d=arcusconsultingltd.onmicrosoft.com;
s=selector1-arcusconsultingltd-onmicrosoft-com;
h=From:Date:Subject:Message-ID:Content-Type:MIME-Version:X-MS-Exchange-SenderADCheck;
bh=tMCIVlvckcW9lj1XDaUYkrXeUBp6Vk52joAdfIrRS2s=;

b=NzxWmxvF4KXKg4lcQijzMtG0cteBn2TZqFM4+r7Hl7zvAaS0y9tPj1gHSz+JrnQ4G4vZsE4bySRDB+B6adwd8s
2h9TiQrj1lvbjsvEL2ZOZREXyECN3SGmx+Cc37KHi5esX3KA/qvOSyK2R5s219zBjMekxCkkQBWwEL2FM+ZU=

Received: from CWXP123MB2104.GBRP123.PROD.OUTLOOK.COM (2603:10a6:401:7c::10)
by CWLP123MB3506.GBRP123.PROD.OUTLOOK.COM (2603:10a6:400:6d::14) with
Microsoft SMTP Server (version=TLS1_2,
cipher=TLS_ECDHE_RSA_WITH_AES_256_GCM_SHA384) id 15.20.3477.21; Mon, 19 Oct
2020 14:13:30 +0000

Received: from CWXP123MB2104.GBRP123.PROD.OUTLOOK.COM
([fe80::1cb9:755a:cdf6:1616]) by CWXP123MB2104.GBRP123.PROD.OUTLOOK.COM
([fe80::1cb9:755a:cdf6:1616%3]) with mapi id 15.20.3477.028; Mon, 19 Oct 2020
14:13:30 +0000

From: De Aar <deaar@arcusconsulting.co.za>
To: De Aar <deaar@arcusconsulting.co.za>
Subject: Notification of the Availability of Draft Basic Assessment Reports
for the De Aar 2 South WEF Associated Developments
Thread-Topic: Notification of the Availability of Draft Basic Assessment
Reports for the De Aar 2 South WEF Associated Developments
Thread-Index: AdamHuIeD4vxv/N/TWa/Rft4G+U84A==
Disposition-Notification-To: De Aar <deaar@arcusconsulting.co.za>
Return-Receipt-To: <deaar@arcusconsulting.co.za>
Date: Mon, 19 Oct 2020 14:13:30 +0000
Message-ID:
<CWXP123MB210474F6C16580586643FB87931E0@CWXP123MB2104.GBRP123.PROD.OUTLOOK.COM>
Accept-Language: en-US
Content-Language: en-US
X-MS-Has-Attach: yes
X-MS-TNEF-Correlator:
authentication-results: arcusconsulting.co.za; dkim=none (message not signed)
header.d=none;arcusconsulting.co.za; dmarc=none action=none

header.from=arcusconsulting.co.za;
x-ms-exchange-messagesentrepresentingtype: 1
x-originating-ip: [196.22.229.227]
x-ms-publictraffictype: Email
x-ms-office365-filtering-correlation-id: 485d324a-6a78-41db-4d2e-08d874392822
x-ms-trafficdiagnostic: CWLP123MB3506:
x-ms-exchange-transport-forked: True
x-microsoft-antispam-prvs:
<CWLP123MB3506264B81DA8D2BA8C202ACF41E0@CWLP123MB3506.GBRP123.PROD.OUTLOOK.COM>
x-ms-oob-tlc-oobclassifiers: OLM:10000;
x-ms-exchange-senderadcheck: 1
x-microsoft-antispam: BCL:0;
x-microsoft-antispam-message-info:
CbO/gRTUd4vFQz1E1tZE3crJ/IqAyI2Mg9fIewIoWeNB0i2fj6vwhYe3KnzcDk82zNVPPB7hQxwRZ/9ok7Q7hrNIR
fNsJifKl5QeZfW2mxYoW/ddXUrbsApzL/ejXQIhOk/+p/40BlG4aNNJORLbDYbX8+XIbpN2FWF/6Om8zCKEo+PcXA
Emt5NWDykeLw3bxV1tIVYtbCmcwZyJaU2/4vPgSYjHv+3bxmxh/7pN8byN9SbKJmYDR4f4Ld+QM0vn9bdSzdXDSS
LDZ4levBScmqZqVS75CbokXr/HgV7e3fwFR5k+Ki2eKqrYrKWGZtXtvrR60vUy1Enh2VgSh9F2pVaAes2FwbM32Dy
Ti+zYwxurD42oL7l0GEDt07FJu6lLWdmQGSZXubbRtCIHDJQYQ==
x-forefront-antispam-report:
CIP:255.255.255.255;CTRY:;LANG:en;SCL:1;SRV:;IPV:NLI;SFV:NSPM;H:CWXP123MB2104.GBRP123.PRO
D.OUTLOOK.COM;PTR:;CAT:NONE;SFS:(376002)(39840400004)(396003)(346002)(136003)(366004)(999
36003)(966005)(316002)(7696005)(55016002)(66476007)(66556008)(66946007)(64756008)(6644600
8)(66576008)(71200400001)(76116006)(52536014)(6200100001)(8936002)(7406005)(186003)(73360
02)(6506007)(7366002)(9686003)(5660300002)(26005)(8676002)(7416002)(83380400001)(33656002
) (478600001)(86362001)(6862004)(15650500001)(2906002)(166002);DIR:OUT;SFP:1102;
x-ms-exchange-antispam-messagedata:
/sKEPw6cTiC0GlziZQS3W9rPvBUUnVn70kdVHdbJ1x8b4jPJdRmcW6EAYTQVRLpmysCsumN5U4mcO4kt0Bm9OQBcpk
GD2RpsiidjRXGPWCjlkqPrfY9DuiFnWisgX566EPlEdPjVVPX1BVTGMnAJQoGZOWJQvp5fuIlfeosOMwLeAQ8YJz
6l1dDclNHbOTNqNIW64pcVtm6ozUpkzclqpEp+AJRZX2obb1Y5hIDtVWWG+oE+zV9rxEU8YdxIRkZdem2gYrvV/U1
u16z4XumzI3OAt28ZwIpuw/CCXziFifhXTyXFGgOvurtMn+6VzIvqugaixVtAAmVVdTFeFpYc6yfnMIryEdA5RQaa
7GIp0JOHMJnm511qS61VMzwa54AoIF6hIVHK08y4EgnyH9So05dSOTX3qu6wvn+WNgh18ZzdNfRtj+QvkkQ9f0UND
3UlchU16eqqzw+pWV7jzPoAr2P8lGD98wFeDerhv4ifmjXEXV7W7w6UJohC8xDfiVdxxxcMRWw8yuMvYK9KJEZula
GJY7KS7bnznpSKmn/xlmadHzi/lnTGp6EQNsXTWvSFvHbMj fge/A9p/yI/miwM46PMgK2eu7MQj09TBftypaQJWCp
WucPeBBhF2bSDDzfU1RkdcWwJvUgcJNyHNrKmmQ==
Content-Type: multipart/mixed;
 boundary="_008_CWXP123MB210474F6C16580586643FB87931E0CWXP123MB2104GBRP_"
MIME-Version: 1.0
X-OriginatorOrg: arcusconsulting.co.za
X-MS-Exchange-CrossTenant-AuthAs: Internal
X-MS-Exchange-CrossTenant-AuthSource: CWXP123MB2104.GBRP123.PROD.OUTLOOK.COM
X-MS-Exchange-CrossTenant-Network-Message-Id: 485d324a-6a78-41db-4d2e-08d874392822
X-MS-Exchange-CrossTenant-originalarrivaltime: 19 Oct 2020 14:13:30.6690
 (UTC)
X-MS-Exchange-CrossTenant-fromentityheader: Hosted
X-MS-Exchange-CrossTenant-id: d9bba7f2-9d82-4ebf-8cec-bcd827e07f80
X-MS-Exchange-CrossTenant-mailboxtype: HOSTED
X-MS-Exchange-CrossTenant-userprincipalname:
RA8GvboChqUzLbrE8mYZAfoEsL23vFWO6dPVA+0TUed7nw2sGsJxgnuzoypDDwGD0OgNUYVGE+7giBgTAWeAs66fw
9WBR6CbWplyKzssMtQ=
X-MS-Exchange-Transport-CrossTenantHeadersStamped: CWLP123MB3506

Aneesah Alwie

From: Microsoft Outlook
To: bennie11@webmail.co.za; rentiapienaar@webmail.co.za; fjvz@webmail.co.za; fritz1222@webmail.co.za
Sent: Monday, 19 October 2020 16:14
Subject: Relayed: Notification of the Availability of Draft Basic Assessment Reports for the De Aar 2 South WEF Associated Developments

Delivery to these recipients or groups is complete, but no delivery notification was sent by the destination server:

bennie11@webmail.co.za (bennie11@webmail.co.za)

rentiapienaar@webmail.co.za (rentiapienaar@webmail.co.za)

fjvz@webmail.co.za (fjvz@webmail.co.za)

fritz1222@webmail.co.za (fritz1222@webmail.co.za)

Subject: Notification of the Availability of Draft Basic Assessment Reports for the De Aar 2 South WEF Associated Developments



Notification of
the Availabili...

Aneesah Alwie

From: Microsoft Outlook
To: andries.tineke@isat.co.za
Sent: Monday, 19 October 2020 16:14
Subject: Relayed: Notification of the Availability of Draft Basic Assessment Reports for the De Aar 2 South WEF Associated Developments

Delivery to these recipients or groups is complete, but no delivery notification was sent by the destination server:

andries.tineke@isat.co.za (andries.tineke@isat.co.za)

Subject: Notification of the Availability of Draft Basic Assessment Reports for the De Aar 2 South WEF Associated Developments



Notification of
the Availabili...

Aneesah Alwie

From: Microsoft Outlook
To: adamtreki@yahoo.com
Sent: Monday, 19 October 2020 16:14
Subject: Relayed: Notification of the Availability of Draft Basic Assessment Reports for the De Aar 2 South WEF Associated Developments

Delivery to these recipients or groups is complete, but no delivery notification was sent by the destination server:

adamtreki@yahoo.com (adamtreki@yahoo.com)

Subject: Notification of the Availability of Draft Basic Assessment Reports for the De Aar 2 South WEF Associated Developments



Notification of
the Availabili...

Aneesah Alwie

From: Microsoft Outlook
To: diederik.albertyn@gmail.com; mr.gwija@gmail.com; johannesolifant85@gmail.com; kranskopboerdery@gmail.com; kobusrust32@gmail.com; pjtheron4jules@gmail.com; ratha.timothy@gmail.com; veligoodman@gmail.com; rampvdwalt@gmail.com; cmo.karoo@gmail.com; anoulizes@gmail.com
Sent: Monday, 19 October 2020 16:14
Subject: Relayed: Notification of the Availability of Draft Basic Assessment Reports for the De Aar 2 South WEF Associated Developments

Delivery to these recipients or groups is complete, but no delivery notification was sent by the destination server:

diederik.albertyn@gmail.com (diederik.albertyn@gmail.com)

mr.gwija@gmail.com (mr.gwija@gmail.com)

johannesolifant85@gmail.com (johannesolifant85@gmail.com)

kranskopboerdery@gmail.com (kranskopboerdery@gmail.com)

kobusrust32@gmail.com (kobusrust32@gmail.com)

pjtheron4jules@gmail.com (pjtheron4jules@gmail.com)

ratha.timothy@gmail.com (ratha.timothy@gmail.com)

veligoodman@gmail.com (veligoodman@gmail.com)

rampvdwalt@gmail.com (rampvdwalt@gmail.com)

cmo.karoo@gmail.com (cmo.karoo@gmail.com)

anoulizes@gmail.com (anoulizes@gmail.com)

Subject: Notification of the Availability of Draft Basic Assessment Reports for the De Aar 2 South WEF Associated Developments



Notification of
the Availabili...

From: [Abrahams, Zakiya](#)
To: [De Aar](#)
Subject: I&AP Register: DA2S WEF Substation and BESS BAR
Date: Friday, November 6, 2020 10:46:06 AM

Good day,

May I, abrahams@wkn-windcurrent.com, please register as an I&AP for the project, "Proposed Construction of the De Aar 2 South Wind Energy Facility's On-Site Substation and Battery Energy Storage System, Northern Cape Province" (3945 DA2S WEF Substation and BESS BAR)? Thank you.

Kind regards,
Zakiya

Zakiya Abrahams
Development Intern

WKN Windcurrent SA (Pty) Ltd
Reg nr: 2010/022616/07
VAT nr: 4850258239

PO Box 762
Wilderness
6560
South Africa
Mob: +27 74 955 0118
abrahams@wkn-windcurrent.com
www.wkn-ag.de

From: [Portia Makitla](#)
To: [De Aar](#)
Cc: [Aulicia Maifo](#)
Subject: RE: PROPOSED CONSTRUCTION OF UP TO 400KV DE AAR 2 SOUTH BESS, NORTHERN CAPE PROVINCE
Date: Wednesday, November 18, 2020 9:47:04 AM
Attachments: [image001.png](#)
[De Aar 2 South BESS comments.pdf](#)

Good Day

Attached find our comments for implementation.



Portia

Disclaimer

This message and any attachments transmitted with it are intended solely for the addressee(s) and may be legally privileged and/or confidential. If you have received this message in error please destroy it and notify the sender. Any unauthorized usage, disclosure, alteration or dissemination is prohibited. The Department of Environmental Affairs accepts no responsibility for any loss whether it be direct, indirect or consequential, arising from information made available and actions resulting there from. The views and opinions expressed in this e-mail message may not necessarily be those of Management..



environment, forestry & fisheries

Department:
Environment, Forestry and Fisheries
REPUBLIC OF SOUTH AFRICA

Private Bag X 447 · PRETORIA · 0001 · Environment House · 473 Steve Biko Road, Arcadia · PRETORIA
Tel (+ 27 12) 399 9372

Reference: De Aar 2 South BESS

Enquiries: Ms Portia Makitla

Telephone: 012-399 9411 **E-mail:** pmakitla@environment.gov.za

Aneesah Alwie
Arcus Consultancy Services South Africa (Pty) Ltd
Office 607 Cube Workspace
Cnr Long Street and Hans Strijdom Ave
CAPE TOWN
8001

Telephone Number: +27 (21) 412 1529
Email Address: deaar@arcusconsulting.co.za

PER E-MAIL

Dear Sir/Madam

COMMENTS ON THE DRAFT BASIC ASSESSMENT REPORT FOR THE PROPOSED DE AAR 2 SOUTH WIND ENERGY FACILITY ON-SITE SUBSTATION AND BATTERY ENERGY STORAGE SYSTEM (BESS), NORTHERN CAPE PROVINCE

The Directorate: Biodiversity Conservation received and evaluated the draft Basic Assessment Report (BAR) for the above mentioned project and its specialist's studies.

Based on the information provided in the report and specialist studies, the site falls within the Ecological Support Area (ESA) due to the presence of the large Platberg-Karoo Conservancy Important Bird Area (IBA). However, development footprint is relatively small in relation to the IBA and would not have any significant negative impacts on the functioning and ecological objectives of the IBA and ESA.

Notwithstanding the above the following recommendations must be implemented during the FBAR phase:

- High sensitive areas in close proximity to the development footprint must be demarcated as no-go area i.e. drainage lines,
- An avifauna specialist must be appointed to perform a final walkthrough prior to finalisation of the EIA, to identify if there are no active breeding sites for the important bird's species, and

- The breeding sites of all important bird's species if found on the proposed area must be demarcated as a NO-GO Zone,
- Search and rescue plan for the identified Species of Conservation Concern (SCC) must be developed and submitted,
- Erosion and Alien Plant Species Management Plan, and Rehabilitation Plan must be submitted as part of the final report to mitigate on habitat degradation due to erosion and alien plant invasion.

The final report must comply with all the requirements as outlined in the Environmental Impact Assessment (EIA) guideline for renewable energy projects and the Revised Best Practice Guideline for Birds & Wind Energy for assessing and monitoring the impact of wind power generating facilities on birds in Southern Africa.

Yours faithfully



Mr Seoka Lekota
Control Biodiversity Officer Grade B: Biodiversity Conservation
Department of Environmental affairs
Date: 17/11/2020