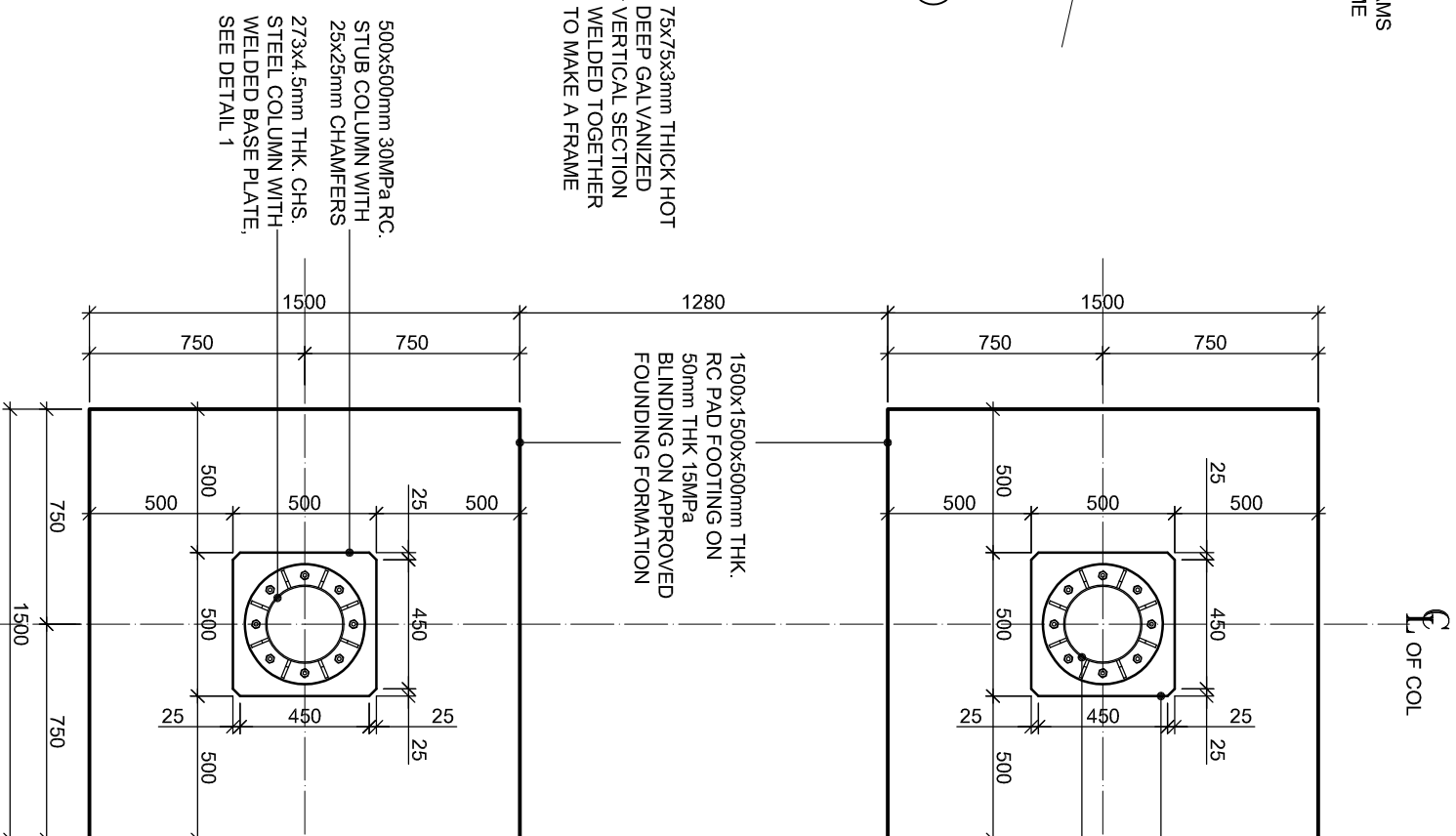
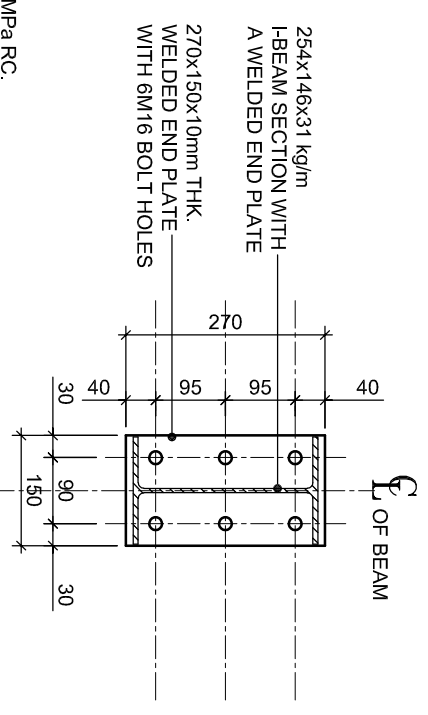


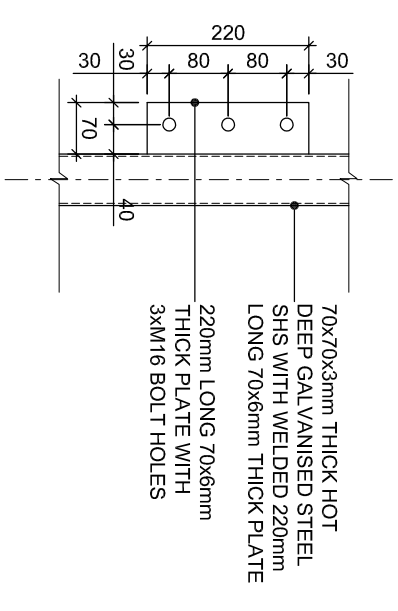
1:25 STEEL FRAME LAYOUT



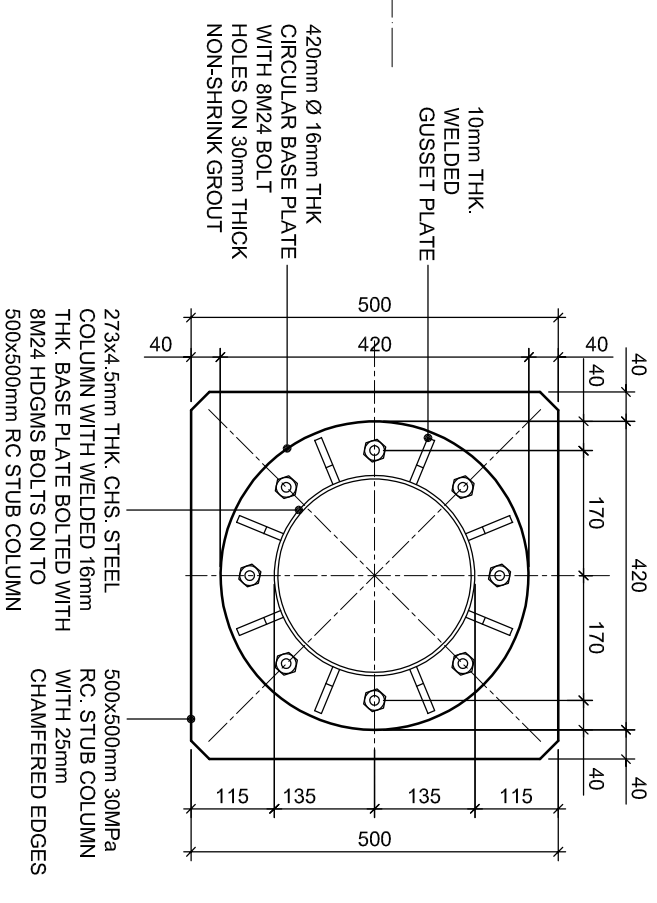
1:25 COLUMN BASE LAYOUT



1:10 TYPICAL END PLATE DETAIL 3



1:10 FIXING PLATE DETAIL 2



1:10 BASE PLATE DETAIL 1

DESIGNED BY:	MN
CHECKED BY:	MN
DRAWN BY:	SG
DATE:	AUGUST 2021
APPROVED:	
DATE:	
FOR APPROVAL	
DATE	
No.	
DATE	

CLIENT

Gyro
GROUP

CONSULTANT

GEOLOCATE
Location is decision

CONSULTING ENGINEER:

NONXUBA CONSULTING
ENGINEERING SERVICES
CIVIL, STRUCTURAL & Project Management

No. 20 LATIMER STREET
BEREA
EAST LONDON
E5 0T1
Email : nonxuba@nonxubaconsulting.co.za

P.O BOX 796
EAST LONDON, 5200
TEL: (043) 700 7200
FAX: (043) 742 2891

PROJECT
OUTDOOR ADVERTISING APPLICATION

DRAWING TITLE

TRADITIONAL BILLBOARD,
V SHAPED 3x12m ON
KLARWATER SITE,
ETHEKWINI MUNICIPALITY

PROJECT No. : EL 103-2021

DRAWING NO. 06

REVISION A

SHEET No. : 1 OF 2