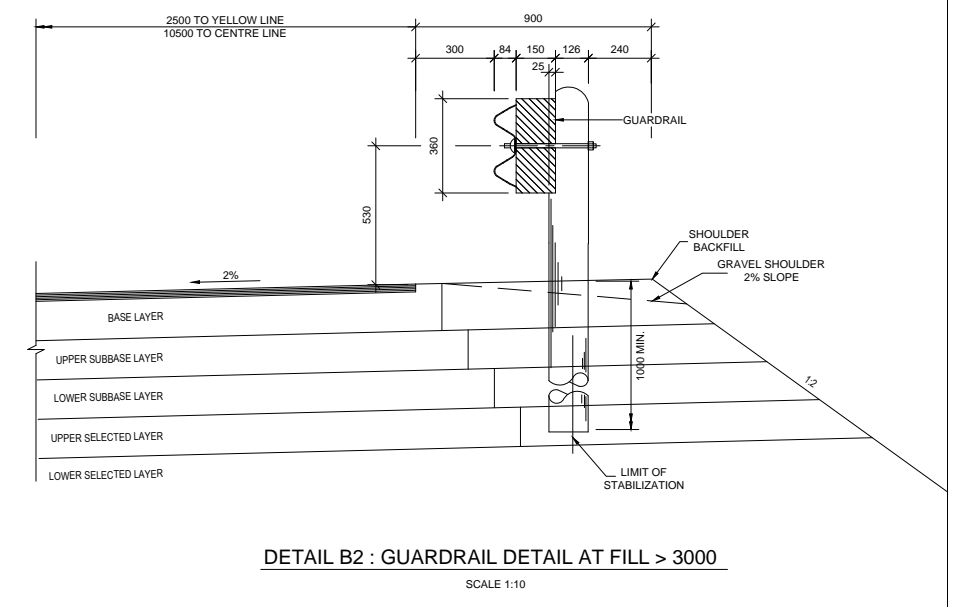
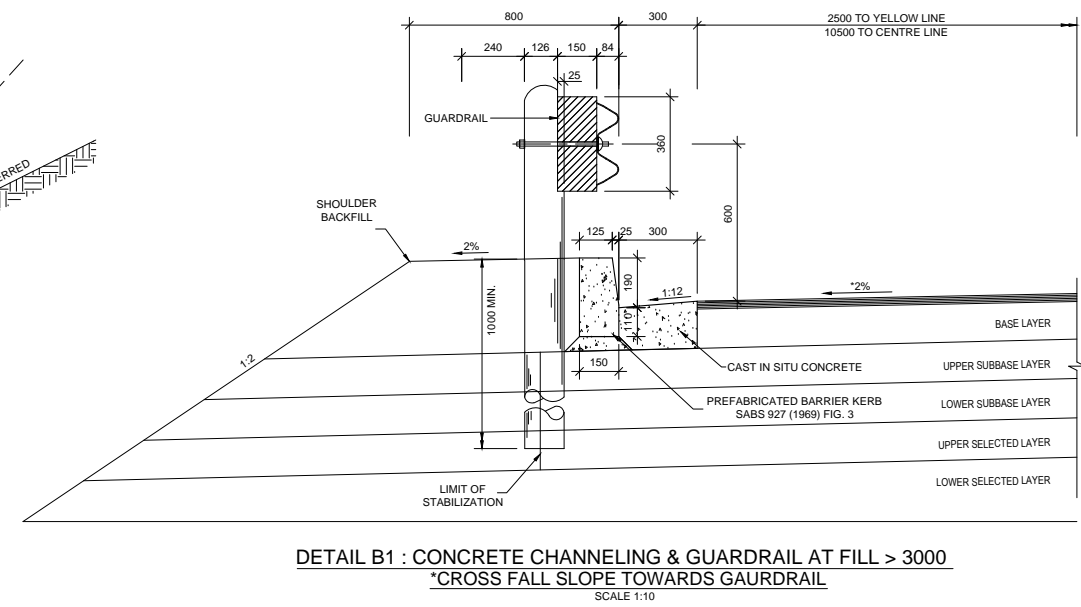
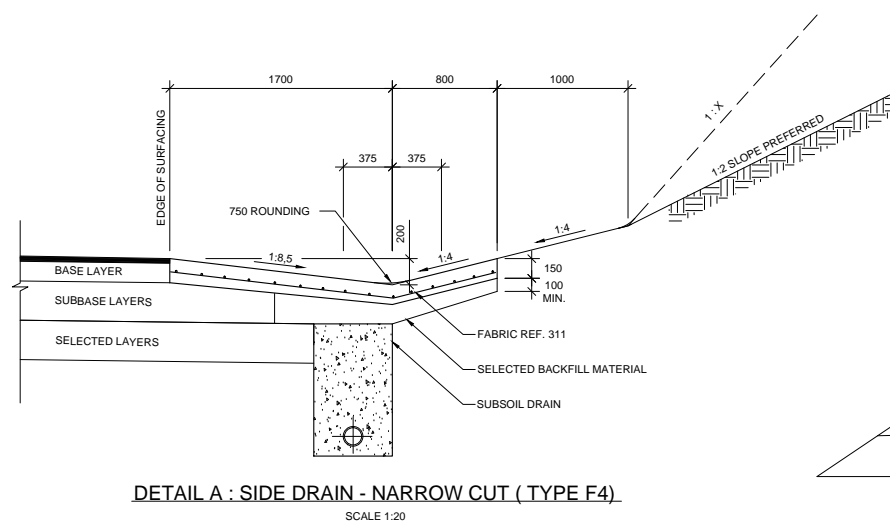
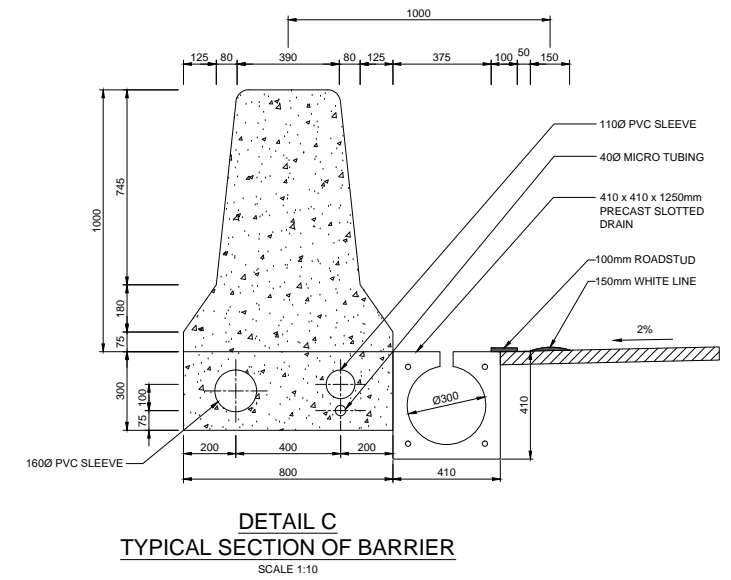
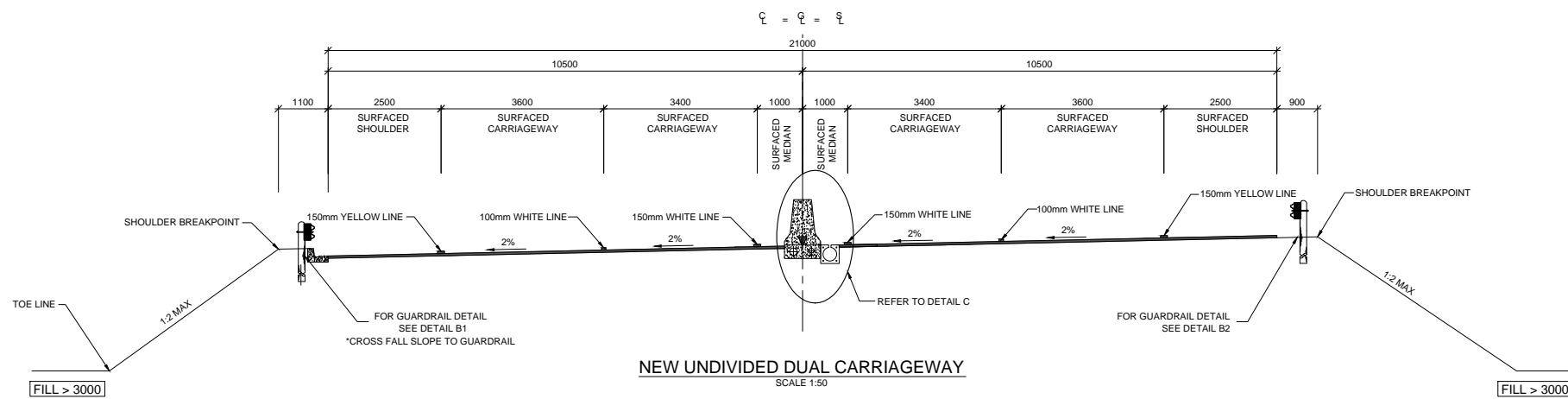
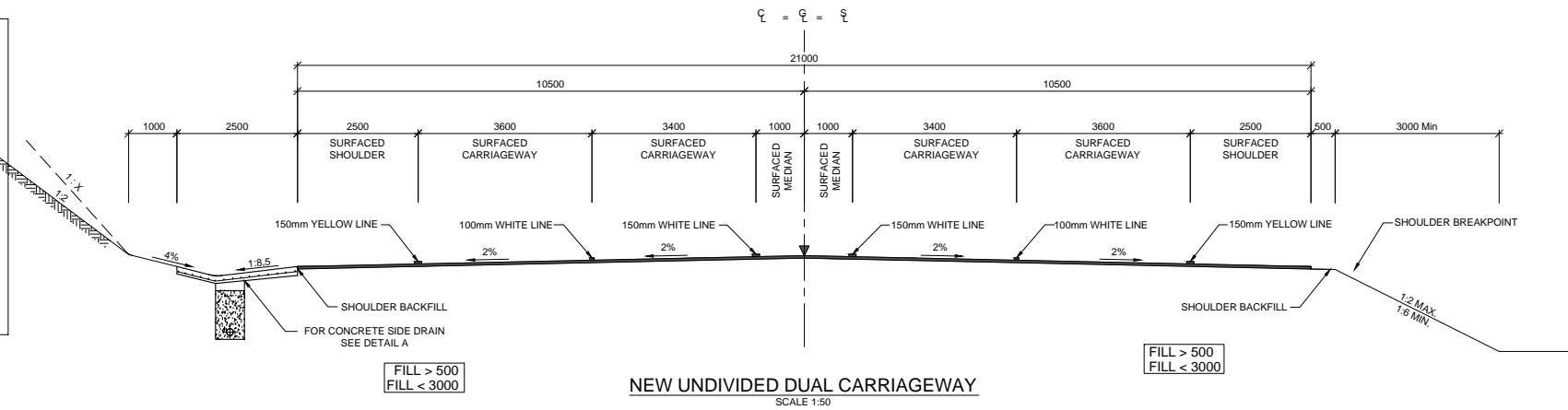
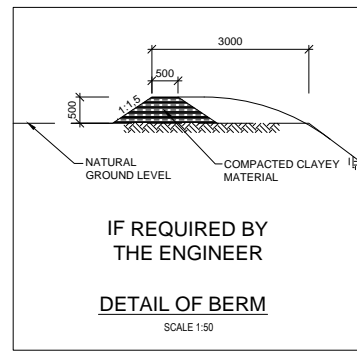


LEDGEND	
$\hat{S}$	= STAKE LINE (HORIZONTAL ALIGNMENT)
$\hat{C}$	= CENTRE LINE (OF CARRIAGEWAY)
$\nabla$	= GRADE LINE (VERTICAL ALIGNMENT)



No.	DATE	REVISION	DESIGNED BY	CONSULTANT APPROVAL	HEAD OFFICE	NORTHERN REGION	ACCEPTANCE	PROJECT DESCRIPTION	PROJECT NUMBER	DRAWING LOCATION DATA	DRAWING TYPE	BRIDGE/STRUCTURE No.	CONSULTANT DRAWING No.	SANRAL DOCUMENT #	VER
V1	01/09/2015	ORIGINAL VERSION	M.P. BOONSTRA	M.P. BOONSTRA	48 Tambotie Avenue Val de Grace Pretoria 0084 Tel: (012) 348-1822 Fax: (012) 348-1823	38 Ida Street Menlo Park Pretoria 0081 Private Bag X17 Lynnwood Ridge 0040 Tel: (012) 426 6200	THIS ACCEPTANCE IS FOR PROCEDURAL AND ADMINISTRATIVE REVIEW PURPOSES ONLY AND DOES NOT ATTRACT LEGAL LIABILITY OR LIABILITY OF ANY KIND FROM WHATSOEVER CAUSE OR HOWEVER ARISING	NATIONAL ROUTE N2 SECTION 34: THE IMPROVEMENT OF NATIONAL ROUTE N2 SECTION 34 BETWEEN LEIDEN KM 59,0 AND CAMDEN KM 87,4	N.002-340-2015/2F	ROUTE N2	DRAWING TYPE	BRIDGE/STRUCTURE No.	CONSULTANT DRAWING No.	SANRAL DOCUMENT #	V1
								N2 SECTION 34		N2	N2	34NS	34NS	34NS	
								DRAWING km DISTANCE		0,000	0,000	0,000	0,000	0,000	
								N2 TYPICAL ROAD CROSS SECTION			ROADS - X SECTIONS				
								SCALE: AS SHOWN							
								SHEET 1 OF 1							