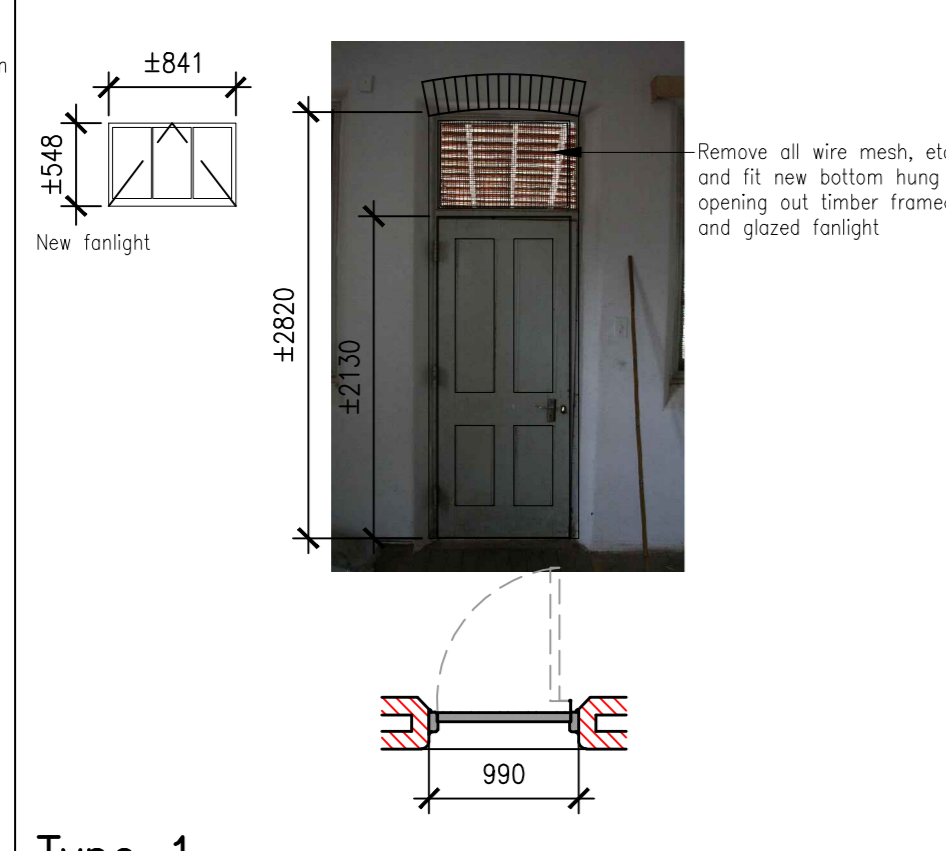


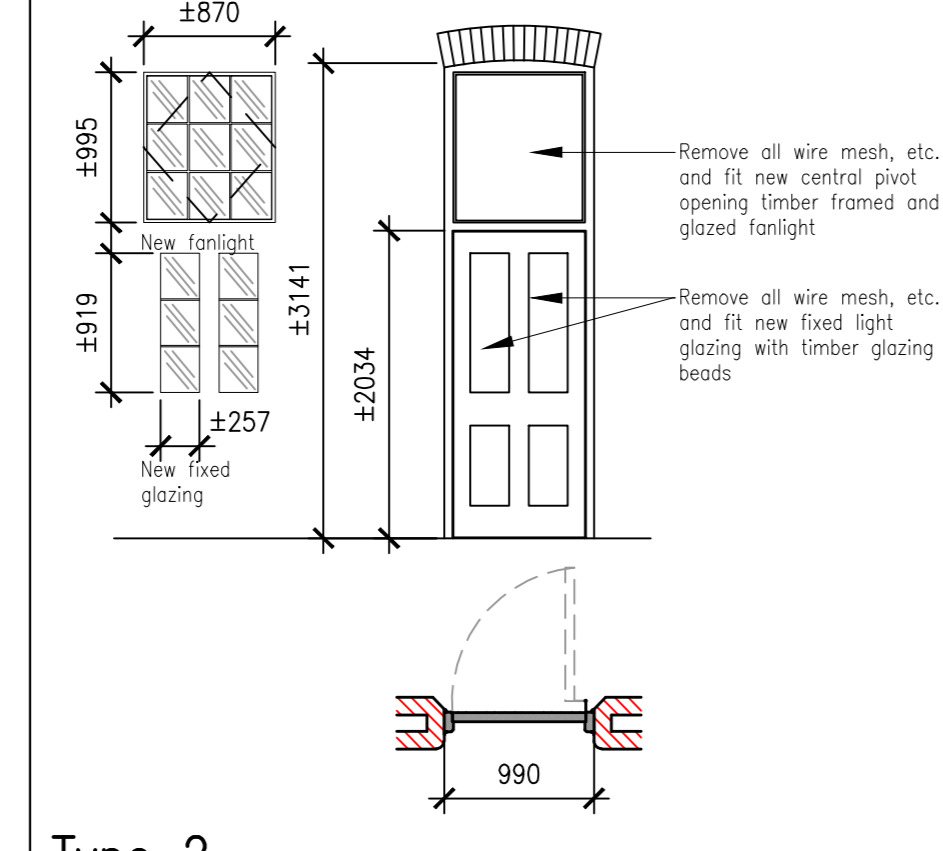
Notes:
 1) All work to be carried out by recognised experienced carpenter craftsmen in the door/window fabrication industry.
 2) Dimensions shown are an indication only and accurate dimensions must be taken of the original items on site.
 3) All new replacement items must be to the same dimensions and of similar material to the original item.
 4) Bring to the attention of the Architect any problems or alternatives. Any alternative, variations, etc must be approved with a written instruction.

- Door Number and Schedule Reference**
 EXISTING DOORS
 D01 Not in buildings being renovated
 D02 Not in buildings being renovated
 D03 Not in buildings being renovated
 D04 Not in buildings being renovated
 D05 Not in buildings being renovated
 D06 Not in buildings being renovated
 D07 Not in buildings being renovated
 D08 Not in buildings being renovated
 D09 Not in buildings being renovated
 D10 Not in buildings being renovated
 D11 Not in buildings being renovated
 D12 Not in buildings being renovated
 D13 Not in buildings being renovated
 D14 Not in buildings being renovated
 D15 Not in buildings being renovated
 D16 Refer door type 1
 D17 Refer door type 1
 D18 Refer door type 5
 D19 Refer door type 5
 D20 Refer door type 2
 D21 Door and door frame removed can be used for renovations (Type 1)
 D22 Refer door type 6
 D23 Refer door type 6
 D24 Refer door type 6
 D25 Refer door type 6
 D26 Refer door type 6
 D27 Refer door type 6
 D28 Refer door type 6
 D29 Refer door type 6
 D30 Refer door type 6
 D31 Refer door type 5
 D32 Refer door type 5
 D33 Refer door type 2
 D34 Refer door type 1 New or salvaged door leaf will be required
 D35 Refer door type 1
 D36 Refer door type 1
 D37 Refer door type 5
 D38 Refer door type 5
 D39 Door and door frame removed can be used for renovations (Type 4)
 D40 New or salvaged door and door frame required refer door type 3
 D41 Refer door type 6
 D42 Refer door type 6
 D43 Refer door type 6
 D44 Refer door type 6
 D45 Refer door type 6
 D46 Refer door type 6
 D47 New door leaf required, frame possibly salvageable refer door type 2
 D48 Refer door type 6
 D49 Refer door type 6
 D50 Refer door type 6
 D51 Refer door type 6
 D52 Refer door type 6
 D53 Refer door type 6
 D54 Refer door type 4

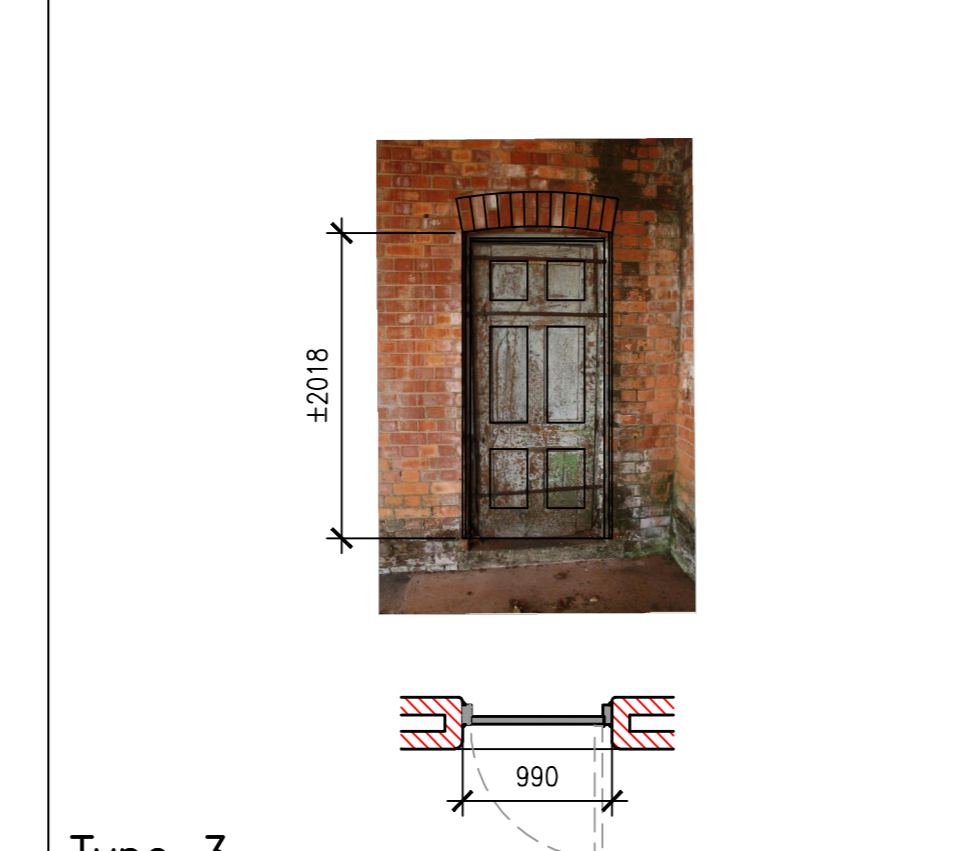
NEW DOORS
 N01 Refer new door type 1
 N02 Refer new door type 5
 N03 Refer new door type 5
 N04 Refer new door type 5
 N05 Refer new door type 4
 N06 Refer new door type 4
 N07 Refer new door type 3
 N08 Refer new door type 3
 N09 Refer new door type 4
 N10 Refer new door type 5
 N11 Refer new door type 5
 N12 Refer new door type 2
 N13 Refer new door type 3



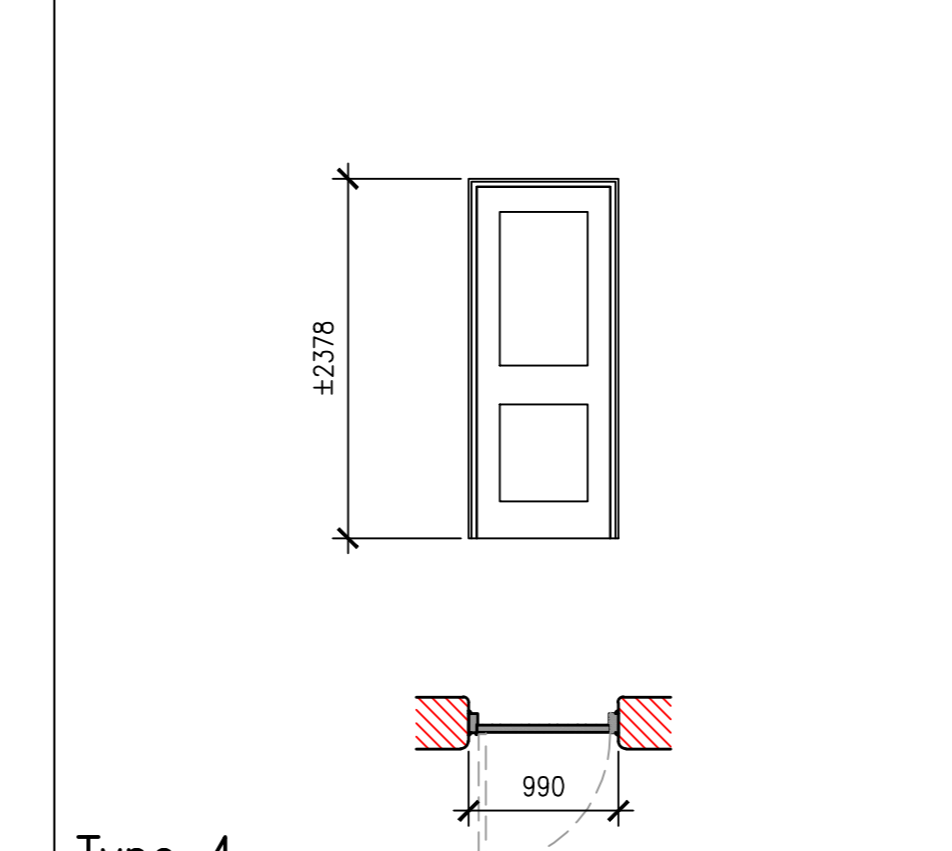
Type 1
 Frame Timber frame painted both sides. Inspect for damage, remove any foreign objects such as nails, etc. Fill minor cracking, holes and scratches with a suitable filler. Sand down, prime, undercoat and paint with enamel to paint manufacturers specification to obtain an even and consistent finish. Remove all wire mesh and fittings from lintel area.
 Door Single swing timber framed door with timber panes painted both sides. Fill minor cracking, holes and scratches with a suitable filler. Sand down, prime, undercoat and paint with enamel to paint manufacturers specification to obtain an even and consistent finish.
 Lintel Manufacture and fit new timber framed and glazed bottom hung opening out lintel as indicated with timber glazing beads.
 Glazing 4mm clear glazing to lintel.
 Hinges Existing 3 number extended steel hinges service and oil.
 Finmongery If still present remove existing handles, locking mechanism and keep and hand over to Hospital. Repair door and frame as per suggested detail or other approved to accept new locking mechanism. Fit pair of 60mm brass ball door handles as per Union Weaver on Rose ref CBS240 or other approved. Fit pair of brass circular concealed fixing escutcheon plates as per Union PE584-13 or other approved. Fit new steel knob cylinder upright door lock and keep with brass finish as per Union L2241-78P/-2x19L or other approved. 1 no. brass lintel spring catch and keep (as per Eurobrass EB3140 or other approved). 1 pair 200mm iron quadrant arm stays for lintel (may be omitted if original stays are still present) If stays similar to the existing one not available then existing stay should be removed and used as sample to manufacture new stays.



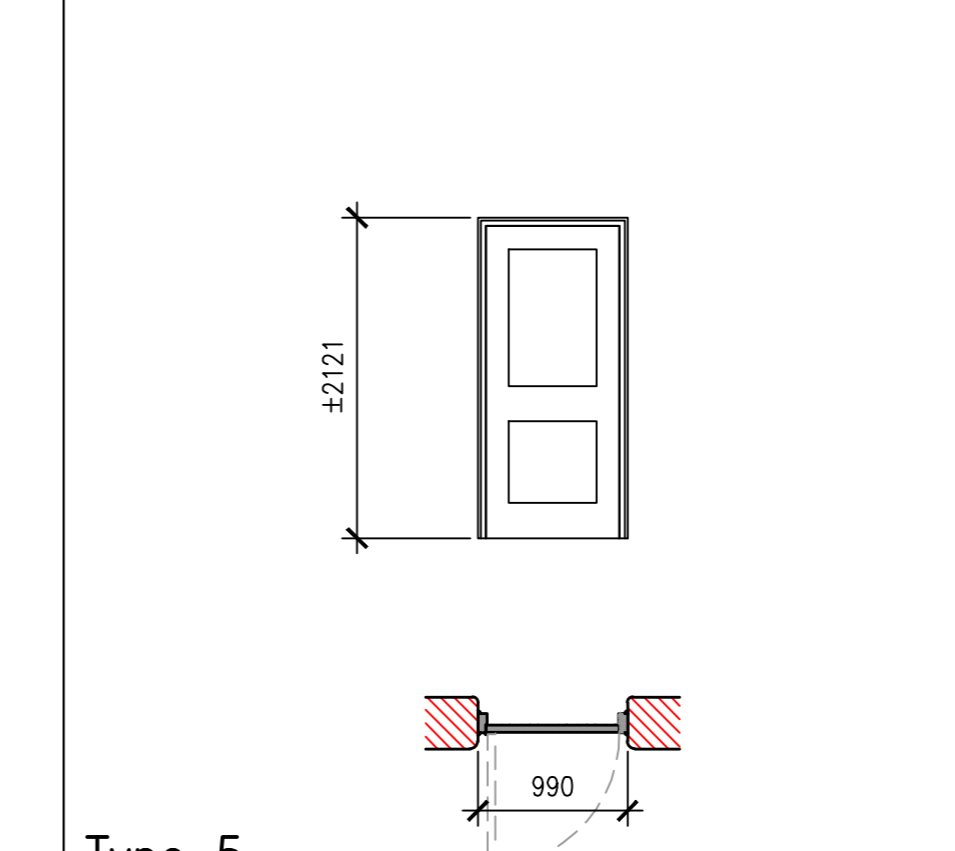
Type 2
 Frame Timber frame painted both sides. Inspect for damage, remove any foreign objects such as nails, etc. Fill minor cracking, holes and scratches with a suitable filler. Sand down, prime, undercoat and paint with enamel to paint manufacturers specification to obtain an even and consistent finish. Remove all wire mesh and fittings from lintel area.
 Door Single swing timber framed door with open (meshed) upper panels and timber lower panes painted both sides. Fill minor cracking, holes and scratches with a suitable filler. Sand down, prime, undercoat and paint with enamel to paint manufacturers specification to obtain an even and consistent finish.
 Lintel Manufacture and fit new timber framed and glazed central pivoted opening lintel as indicated with timber glazing beads.
 Glazing 4mm clear glazing to lintel.
 Hinges Existing 3 number extended steel hinges service and oil.
 Finmongery If still present remove existing handles, locking mechanism and keep and hand over to Hospital. Repair door and frame as per suggested detail or other approved to accept new locking mechanism. Fit pair of 60mm brass ball door handles as per Union Weaver on Rose ref CBS240 or other approved. Fit pair of brass circular concealed fixing escutcheon plates as per Union PE584-13 or other approved. Fit new steel knob cylinder upright door lock and keep with brass finish as per Union L2241-78P/-2x19L or other approved. 1 no. brass lintel spring catch and keep (as per Eurobrass EB3140 or other approved). 1 pair 200mm iron quadrant arm stays for lintel (may be omitted if original stays are still present) If stays similar to the existing one not available then existing stay should be removed and used as sample to manufacture new stays.



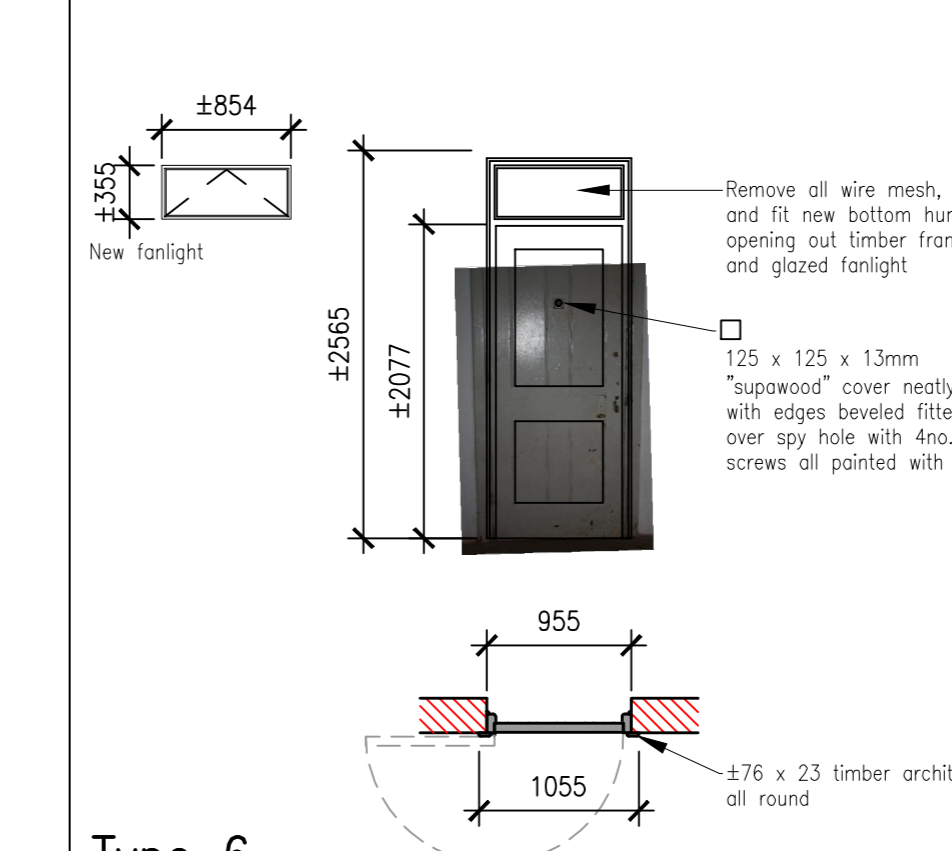
Type 3
 Note some of these doors are infernal both sides
 Frame Timber frame painted both sides. Inspect for damage, remove any foreign objects such as nails, etc. Fill minor cracking, holes and scratches with a suitable filler. Sand down, prime, undercoat and paint with enamel to paint manufacturers specification to obtain an even and consistent finish.
 Door Single swing timber framed door with 8 panes painted both sides. Fill minor cracking, holes and scratches with a suitable filler. Sand down, prime, undercoat and paint with enamel to paint manufacturers specification to obtain an even and consistent finish.
 Lintel Nil
 Glazing Nil
 Hinges Existing 3 number extended steel hinges service and oil.
 Finmongery If still present remove existing handles, locking mechanism and keep and hand over to Hospital. Repair door and frame as per suggested detail or other approved to accept new locking mechanism. Fit pair of 60mm brass ball door handles as per Union Weaver on Rose ref CBS240 or other approved. Fit pair of brass circular concealed fixing escutcheon plates as per Union PE584-13 or other approved. Fit new steel knob cylinder upright door lock and keep with brass finish as per Union L2241-78P/-2x19L or other approved.



Type 4
 Frame Timber frame painted both sides. Inspect for damage, remove any foreign objects such as nails, etc. Fill minor cracking, holes and scratches with a suitable filler. Sand down, prime, undercoat and paint with enamel to paint manufacturers specification to obtain an even and consistent finish.
 Door Single swing timber framed door with 3 panes painted both sides. Fill minor cracking, holes and scratches with a suitable filler. Sand down, prime, undercoat and paint with enamel to paint manufacturers specification to obtain an even and consistent finish.
 Lintel Nil
 Glazing Nil
 Hinges Existing 3 number steel hinges service and oil.
 Finmongery If still present remove existing handles, locking mechanism and keep and hand over to Hospital. Repair door and frame as per suggested detail or other approved to accept new locking mechanism. Fit pair of 60mm brass ball door handles as per Union Weaver on Rose ref CBS240 or other approved. Fit pair of brass circular concealed fixing escutcheon plates as per Union PE584-13 or other approved. Fit new steel knob cylinder upright door lock and keep with brass finish as per Union L2241-78P/-2x19L or other approved.



Type 5
 Frame Timber frame painted both sides. Inspect for damage, remove any foreign objects such as nails, etc. Fill minor cracking, holes and scratches with a suitable filler. Sand down, prime, undercoat and paint with enamel to paint manufacturers specification to obtain an even and consistent finish.
 Door Single swing timber framed door with 2 timber panes painted both sides. See notes below with regard to additional bracing on certain doors. Stay hole to be covered over on inside of room. Fill minor cracking, holes and scratches with a suitable filler. Sand down, prime, undercoat and paint with enamel to paint manufacturers specification to obtain an even and consistent finish.
 Lintel Manufacture and fit new timber framed and glazed bottom hung opening in lintel as indicated with timber glazing beads.
 Glazing 4mm clear glazing to lintel.
 Hinges Existing 2 number steel hinges service and oil.
 Finmongery If still present remove existing handles, locking mechanism and keep and hand over to Hospital. Repair door and frame as per suggested detail or other approved to accept new locking mechanism. Fit pair of 60mm brass ball door handles as per Union Weaver on Rose ref CBS240 or other approved. Fit pair of brass circular concealed fixing escutcheon plates as per Union PE584-13 or other approved. Fit new steel knob cylinder upright door lock and keep with brass finish as per Union L2241-78P/-2x19L or other approved. 1 no. brass lintel spring catch and keep (as per Eurobrass EB3140 or other approved). 1 pair 200mm long brass lintel roller stay with 38mm long solid brass roller as supplied by Mercury Products reference 4589 or other approved.



Type 6
 Frame Timber frame painted both sides. Inspect for damage, remove any foreign objects such as nails, etc. Fill minor cracking, holes and scratches with a suitable filler. Sand down, prime, undercoat and paint with enamel to paint manufacturers specification to obtain an even and consistent finish. Remove all wire mesh and fittings from lintel area.
 Door Single swing timber framed door with 2 timber panes painted both sides. See notes below with regard to additional bracing on certain doors. Stay hole to be covered over on inside of room. Fill minor cracking, holes and scratches with a suitable filler. Sand down, prime, undercoat and paint with enamel to paint manufacturers specification to obtain an even and consistent finish.
 Lintel Manufacture and fit new timber framed and glazed bottom hung opening in lintel as indicated with timber glazing beads.
 Glazing 4mm clear glazing to lintel.
 Hinges Existing 3 number steel hinges service and oil.
 Finmongery If still present remove existing handles, locking mechanism and keep and hand over to Hospital. Repair door and frame as per suggested detail or other approved to accept new locking mechanism. Fit pair of 60mm brass ball door handles as per Union Weaver on Rose ref CBS240 or other approved. Fit pair of brass circular concealed fixing escutcheon plates as per Union PE584-13 or other approved. Fit new steel knob cylinder upright door lock and keep with brass finish as per Union L2241-78P/-2x19L or other approved. 1 no. brass lintel spring catch and keep (as per Eurobrass EB3140 or other approved). 1 pair 200mm long brass lintel roller stay with 38mm long solid brass roller as supplied by Mercury Products reference 4589 or other approved.

Notes:
 D01 Refer new door type 1
 D02 Refer new door type 5
 D03 Refer new door type 5
 D04 Refer new door type 5
 D05 Refer new door type 4
 D06 Refer new door type 4
 D07 Refer new door type 3
 D08 Refer new door type 3
 D09 Refer new door type 4
 D10 Refer new door type 5
 D11 Refer new door type 5
 D12 Refer new door type 2
 D13 Refer new door type 3
 D14 Refer new door type 3

Notes:
 D01 Refer new door type 1
 D02 Refer new door type 5
 D03 Refer new door type 5
 D04 Refer new door type 5
 D05 Refer new door type 4
 D06 Refer new door type 4
 D07 Refer new door type 3
 D08 Refer new door type 3
 D09 Refer new door type 4
 D10 Refer new door type 5
 D11 Refer new door type 5
 D12 Refer new door type 2
 D13 Refer new door type 3
 D14 Refer new door type 3

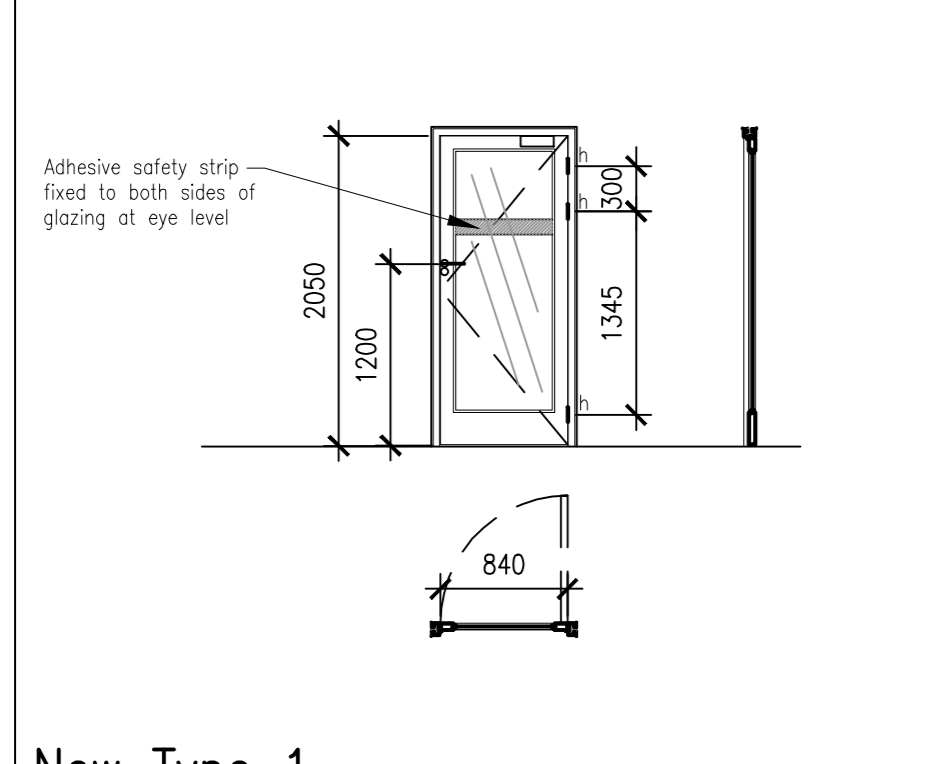
Notes:
 D01 Refer new door type 1
 D02 Refer new door type 5
 D03 Refer new door type 5
 D04 Refer new door type 5
 D05 Refer new door type 4
 D06 Refer new door type 4
 D07 Refer new door type 3
 D08 Refer new door type 3
 D09 Refer new door type 4
 D10 Refer new door type 5
 D11 Refer new door type 5
 D12 Refer new door type 2
 D13 Refer new door type 3
 D14 Refer new door type 3

Notes:
 D01 Refer new door type 1
 D02 Refer new door type 5
 D03 Refer new door type 5
 D04 Refer new door type 5
 D05 Refer new door type 4
 D06 Refer new door type 4
 D07 Refer new door type 3
 D08 Refer new door type 3
 D09 Refer new door type 4
 D10 Refer new door type 5
 D11 Refer new door type 5
 D12 Refer new door type 2
 D13 Refer new door type 3
 D14 Refer new door type 3

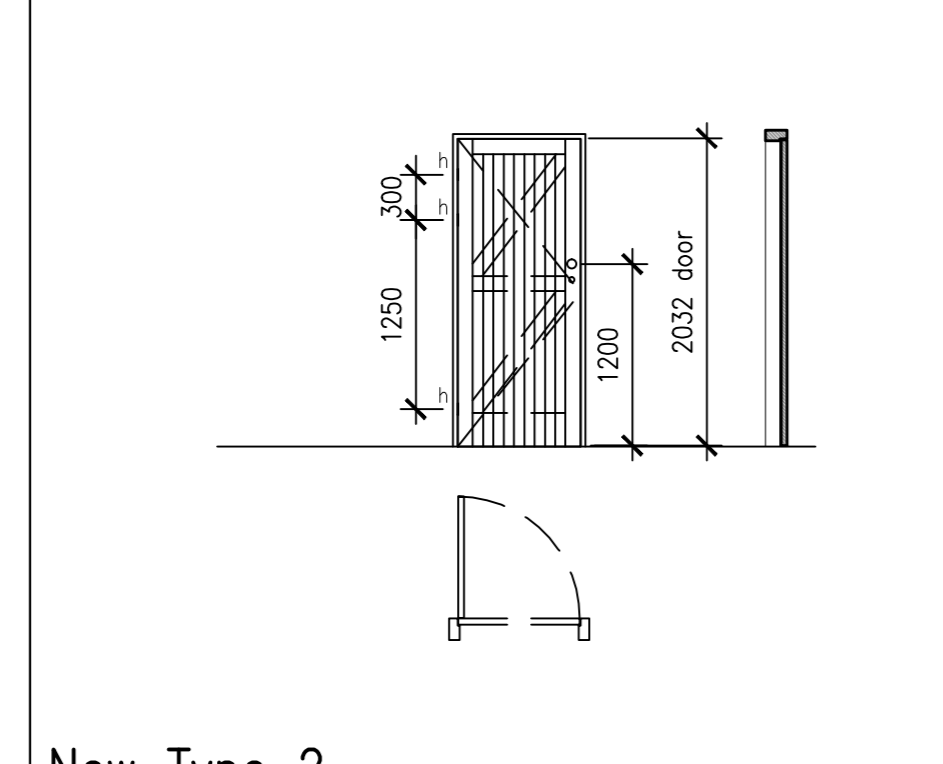
Notes:
 D01 Refer new door type 1
 D02 Refer new door type 5
 D03 Refer new door type 5
 D04 Refer new door type 5
 D05 Refer new door type 4
 D06 Refer new door type 4
 D07 Refer new door type 3
 D08 Refer new door type 3
 D09 Refer new door type 4
 D10 Refer new door type 5
 D11 Refer new door type 5
 D12 Refer new door type 2
 D13 Refer new door type 3
 D14 Refer new door type 3

Notes:
 D01 Refer new door type 1
 D02 Refer new door type 5
 D03 Refer new door type 5
 D04 Refer new door type 5
 D05 Refer new door type 4
 D06 Refer new door type 4
 D07 Refer new door type 3
 D08 Refer new door type 3
 D09 Refer new door type 4
 D10 Refer new door type 5
 D11 Refer new door type 5
 D12 Refer new door type 2
 D13 Refer new door type 3
 D14 Refer new door type 3

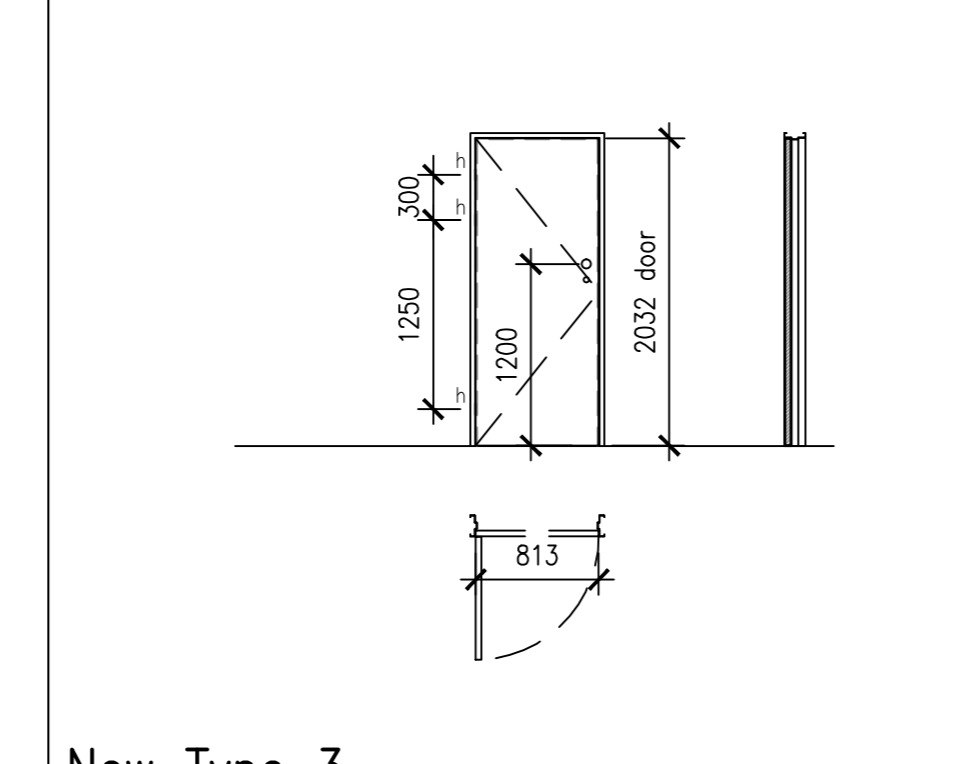
Existing Doors and Door Frames scale 1 : 50



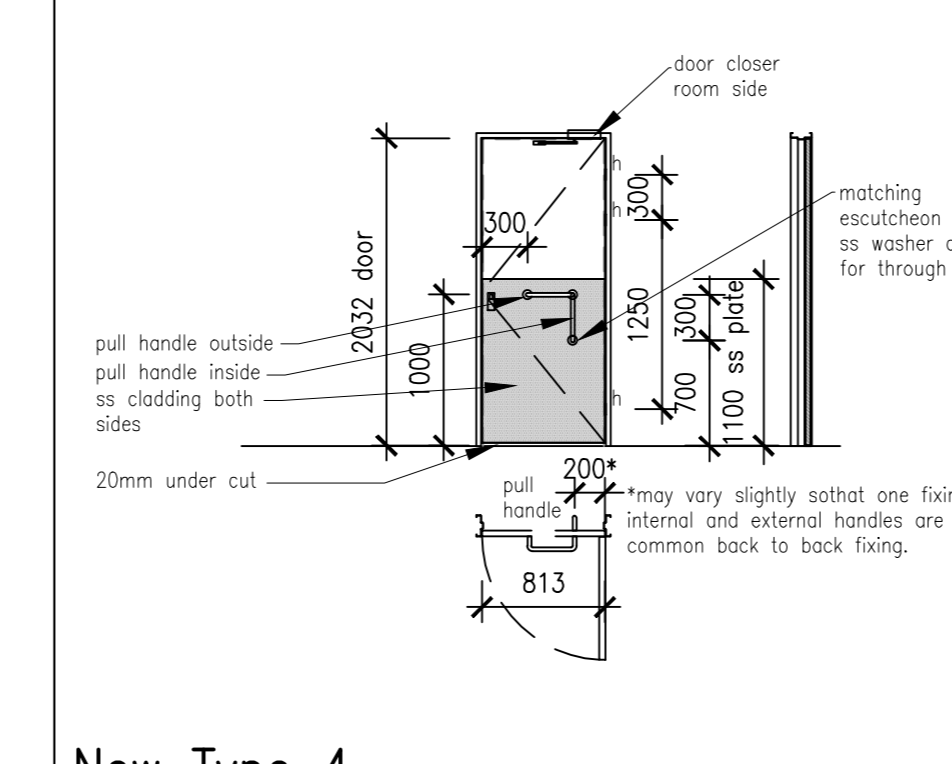
New Type 1
 Frame 75 x 4 extruded aluminium extruded section with door rebate frame for 2050 x 840 door. Frame to be fitted with seal all round.
 Door 2050 high x 840 wide x 44mm glazed aluminium door consisting of 85 x 44mm head and jamb sections and 215 x 44mm bottom rail all with glazing rebate, glazing seals and aluminium glazing beads.
 Hinges 1/2 pairs 100 x 75mm satin stainless steel butt hinges as per Aulab 1075 or other approved riveted to door and frame.
 Finmongery Fit pair of 3150mm long aluminium bow door handles on rose with oval cylinder lock and aluminium escutcheon as per Union One on Rose ref AL600-150 or other approved. Fit new steel knob cylinder upright door lock and keep with stainless steel finish as per Union L2241-78P/-2x19L or other approved. Fit hydraulic aluminium case door closer to head of door as per Union ASSA ABLOY reference 7772 or other approved.
 Finish Natural anodized aluminium, 6.5mm laminated clear safety glass, 100mm wide adhesive safety strip fixed to glazing at eye height.
 Notes



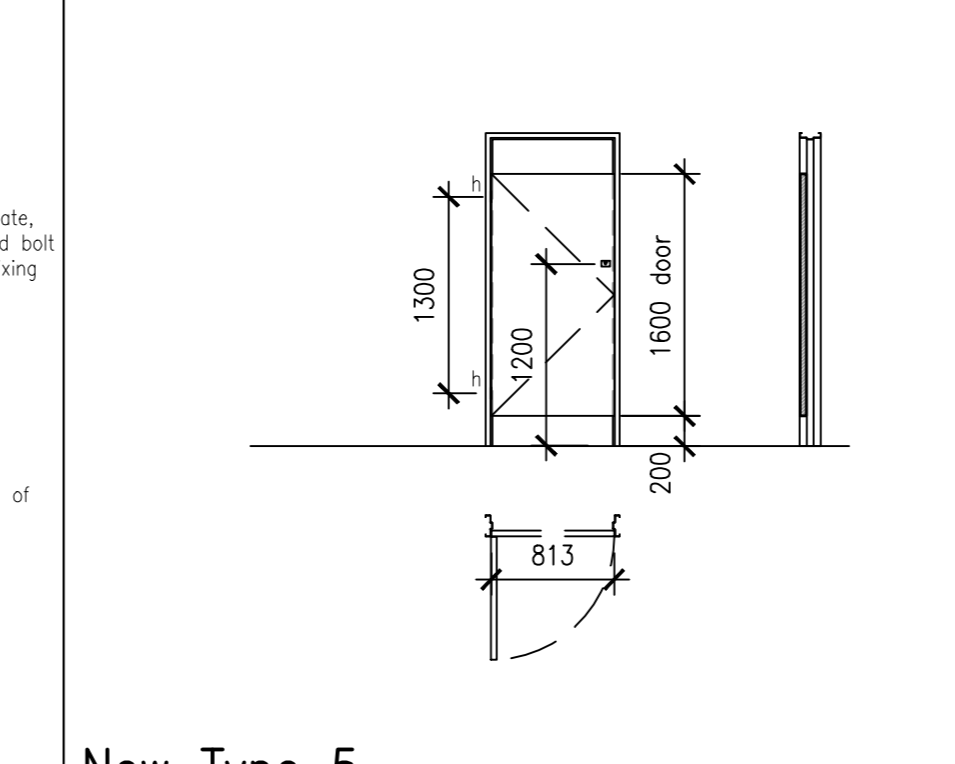
New Type 2
 Frame 14 x 4 rebated hardwood door frame for 2032 x 813 door.
 Door 2032 high x 813 wide x 42mm heavy duty class 1 (external use) full board, braced and bolted hard wood door.
 Hinges 1/2 pairs 100 x 75mm satin stainless steel butt hinges as per SA Hardware Traders CBH 102 or other approved screwed to door and frame.
 Finmongery Fit pair of 60mm brass ball door handles as per Union Weaver on Rose ref CBS240 or other approved. Fit pair of brass circular concealed fixing escutcheon plates as per Union PE584-13 or other approved. Fit new steel knob cylinder upright door lock and keep with brass finish as per Union L2241-78P/-2x19L or other approved.
 Finish Fill any holes around edges with an approved filler. Sand edges smooth. Prepare door surfaces for primer and enamel paint applied in accordance with manufacturers recommendations to and even and consistent finish.
 Notes



New Type 3
 Frame 1.6mm thick grade 304 polished stainless steel double rebated frame with rebated top corners, joints seam welded and supplied with corner stiffeners in the reveals on the inside to fit 110mm wall plastered both sides for single door 813 wide x 2032 high. Frames to be checked out to accommodate hinges with lock plate. Hinges are not to be welded to frame.
 Door 2032 high x 813 wide x 40mm heavy duty (solid core) class 1 (external use wet area) hardwood door leaf with concealed hardwood edges.
 Hinges 1/2 pairs 100 x 75mm satin stainless steel butt hinges as per SA Hardware Traders CBH 102 or other approved screwed to door and frame.
 Finmongery Fit pair of 60mm brass ball door handles as per Union Weaver on Rose ref CBS240 or other approved. Fit pair of brass circular concealed fixing escutcheon plates as per Union PE584-13 or other approved. Fit new steel knob cylinder upright door lock and keep with brass finish as per Union L2241-78P/-2x19L or other approved.
 Finish Fill any holes around edges with an approved filler. Sand edges smooth. Prepare door surfaces for primer and enamel paint applied in accordance with manufacturers recommendations to and even and consistent finish.
 Notes

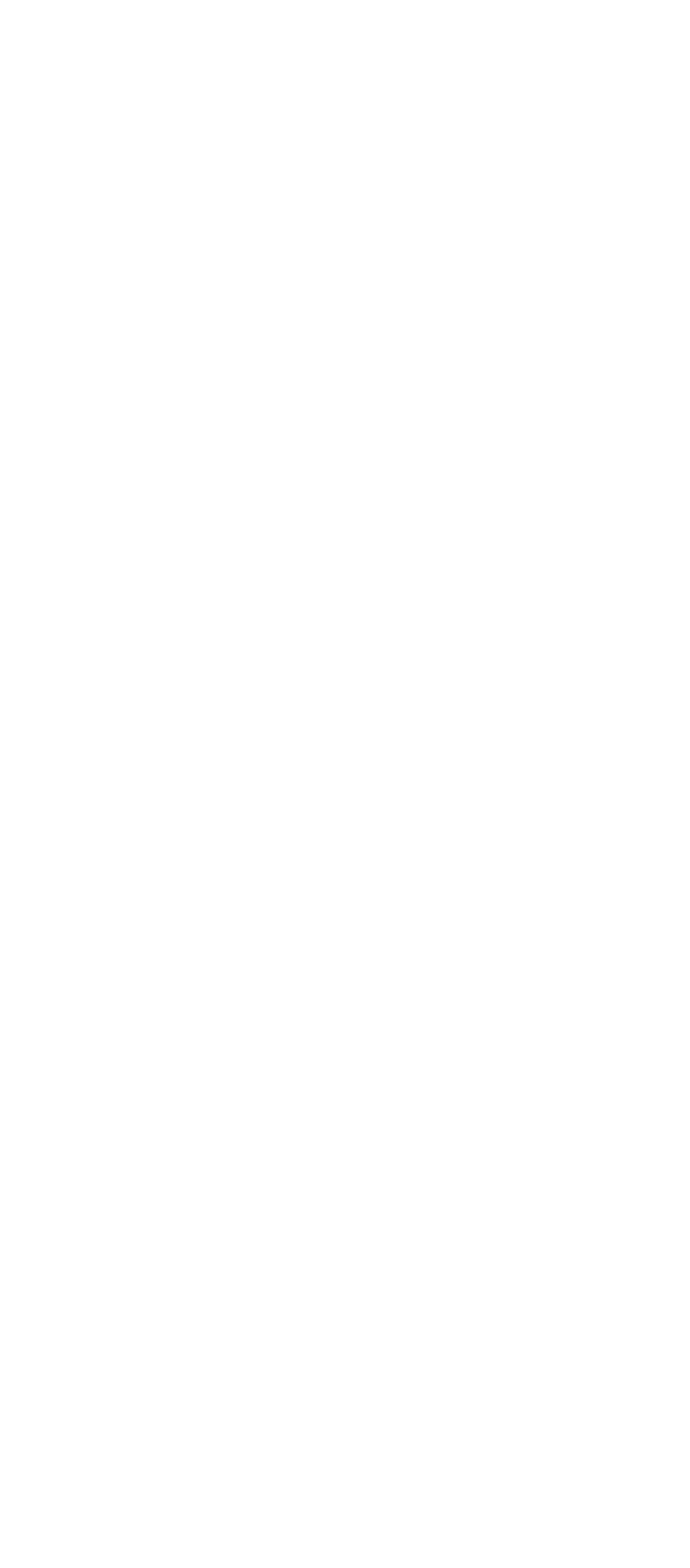
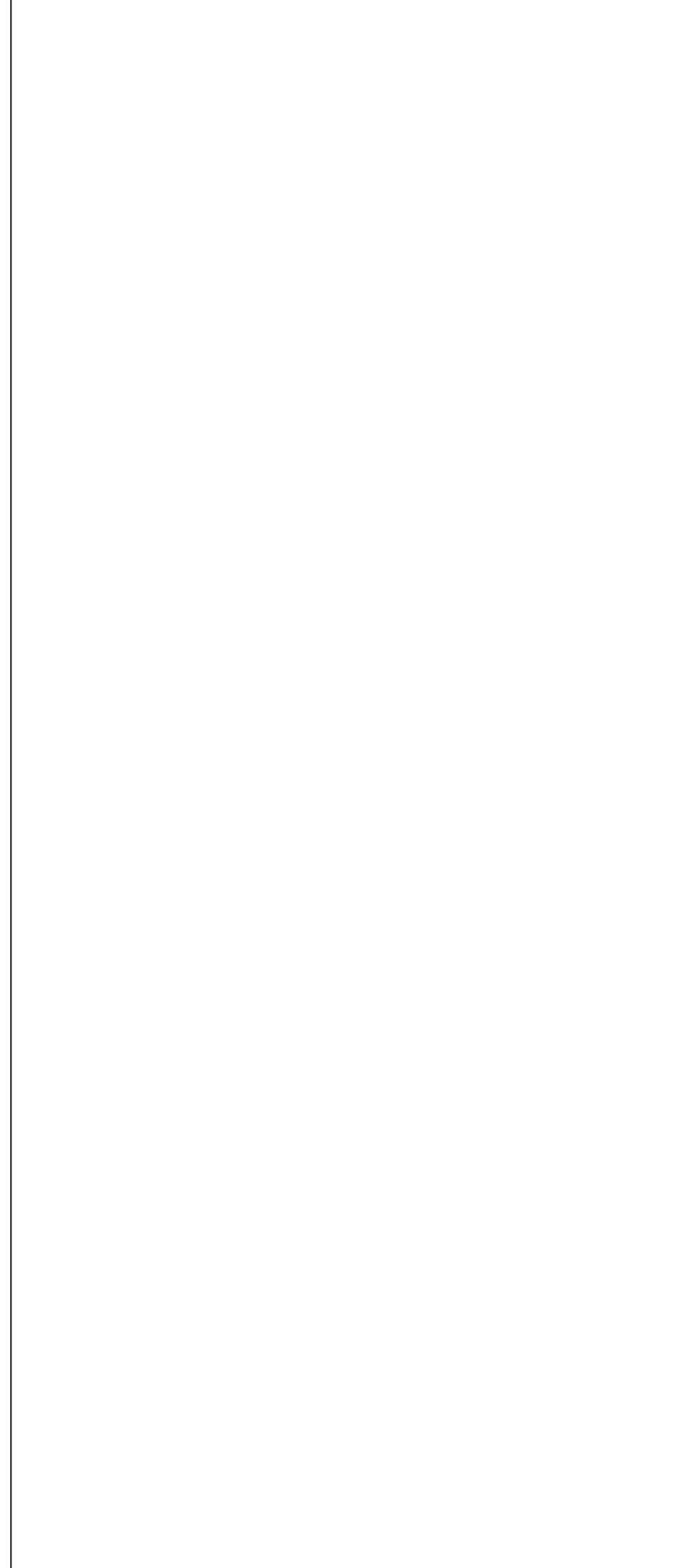


New Type 4
 Frame 1.6mm thick grade 304 polished stainless steel double rebated frame with rebated top corners, joints seam welded and supplied with corner stiffeners in the reveals on the inside to fit 110mm wall plastered both sides for single door 813 wide x 2032 high. Frames to be checked out to accommodate hinges with lock plate. Hinges are not to be welded to frame.
 Door 2032 high x 813 wide x 40mm heavy duty (solid core) class 1 (external use wet area) hardwood door leaf with concealed hardwood edges.
 Hinges 1/2 pairs 100 x 75mm satin stainless steel butt hinges as per SA Hardware Traders CBH 102 or other approved screwed to door and frame.
 Finmongery Double silver door lock set as per Union One Helping Hand Indolcor Bull ref 17651 or other approved. Inc. door closer fit per ASSA ABLOY SC120 or other approved. 2no. 300mm long bolt through aluminium pull handles as per Union A6515-300BAS (note and fixing of each handle will be back to back. Matching aluminium escutchens, stainless steel weather bolt to be used for other approved bolt through fittings. Inc. 813 wide x 1100 high x 1.2mm thick grade 304 stainless steel cladding fixed with epoxy glue and counter sunk stainless steel screws at 120mm centers.
 Finish Fill any holes around edges with an approved filler. Sand edges smooth. Prepare door surfaces for primer and enamel paint applied in accordance with manufacturers recommendations to and even and consistent finish.
 Notes




New Type 5
 Frame 1.6mm thick grade 304 polished stainless steel double rebated frame with rebated top corners, joints seam welded and supplied with corner stiffeners in the reveals on the inside to fit 110mm wall plastered both sides for single door 813 wide x 2032 high. Frames to be checked out to accommodate hinges with lock plate. Hinges are not to be welded to frame.
 Door 1600 high x 813 wide x 40mm heavy duty (solid core) class 4 (external use) hardwood door leaf with concealed hardwood edges.
 Hinges 1 pairs 100 x 75mm satin stainless steel butt hinges as per SA Hardware Traders CBH 102 or other approved screwed to door and frame.
 Finmongery 1 anodized silver aluminium bathroom w/ indolcor bolt as per Union ALB208AS or other approved. 1 anodized silver aluminium wall mounted door stop as per Union ALB254AS or other approved.
 Finish Fill any holes around edges with an approved filler. Sand edges smooth. Prepare door surfaces for primer and enamel paint applied in accordance with manufacturers recommendations to and even and consistent finish.
 Notes

New Doors and Door Frames scale 1 : 50



NO.	DATE	AMENDMENTS AND REVISIONS
△		AMENDMENTS BEFORE CONTRACT COMMENCES
▽		REVISIONS AFTER CONTRACT HAS COMMENCED

PROVINCE OF KWA-ZULU NATAL
DEPARTMENT OF WORKS
PRIVATE BAG X9041 PIETERMARITZBURG 3200



L&R architects

Suite E3 : Block E
 Netcare Office Park
 95 Umhlanga Rocks Drive
 Durban North
 4051
 Tel : 031 573 1202
 Fax: 031 573 1201
 eMail: reesh@mweb.co.za

PROJECT

SOUTHERN REGION PIETERMARITZBURG DEPARTMENT OF HEALTH TOWN HILL HOSPITAL REPLACEMENT AND RENOVATIONS TO ROOFS

DRAWING DESCRIPTION

OCCUPATIONAL THERAPY RENOVATIONS AND ALTERATIONS DOOR SCHEDULE

DRAWING NO.	REV
044038 - E - 224	.
SCALE	CHECKED
1:50	.
FILE NO.	CLIENT
WIMS 044038	.
DATE	DRAWN
Nov 2013	J.K.W.

0 10 20 30 40 50 60 70 80 90 100

Dec 12, 2013 - 11:14am

Z:\Projects\L&R_Architects\038_Townhill_Hospital\038-Working Drawings\1038-E-224_Door_Schedule.dwg