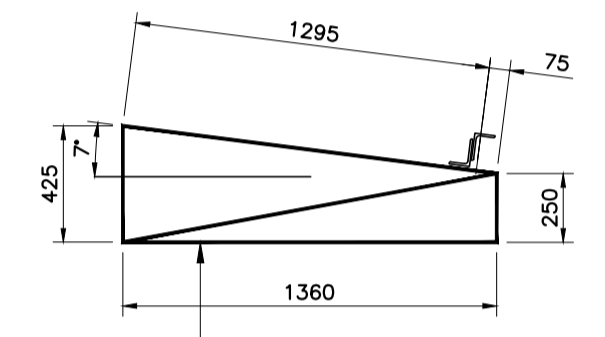
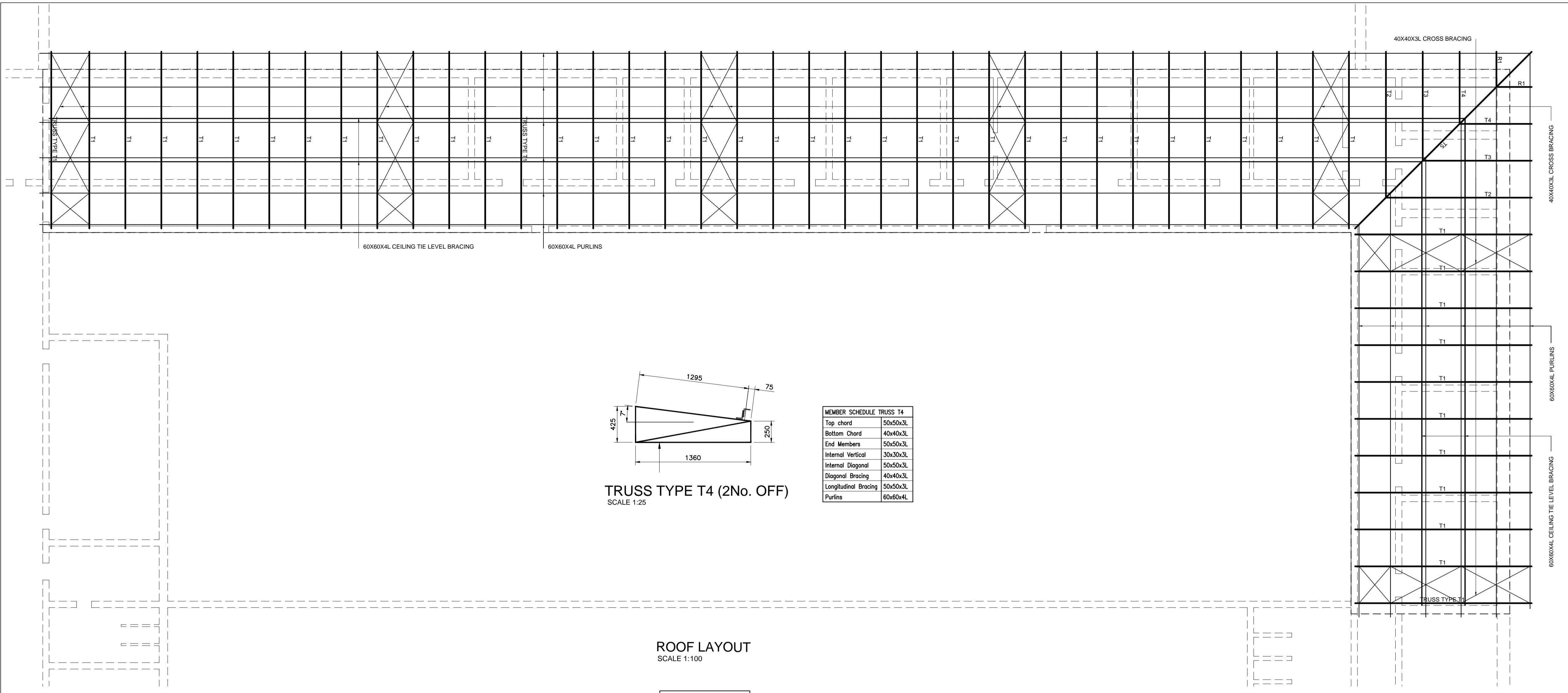


COPYRIGHT E-SQUARE
 THIS DRAWING IS THE PROPERTY OF E-SQUARE AND SHALL NOT BE COPIED, PHOTOGRAPHED OR REPRODUCED IN ANY MANNER WHATSOEVER WITHOUT PRIOR WRITTEN PERMISSION OF E-SQUARE. NOR SHALL THE CONCEPTS CONTAINED WITHIN BE USED FOR ANY PURPOSES OTHER THAN THAT AUTHORISED UNDER CONTRACTUAL ARRANGEMENTS WITH E-SQUARE.

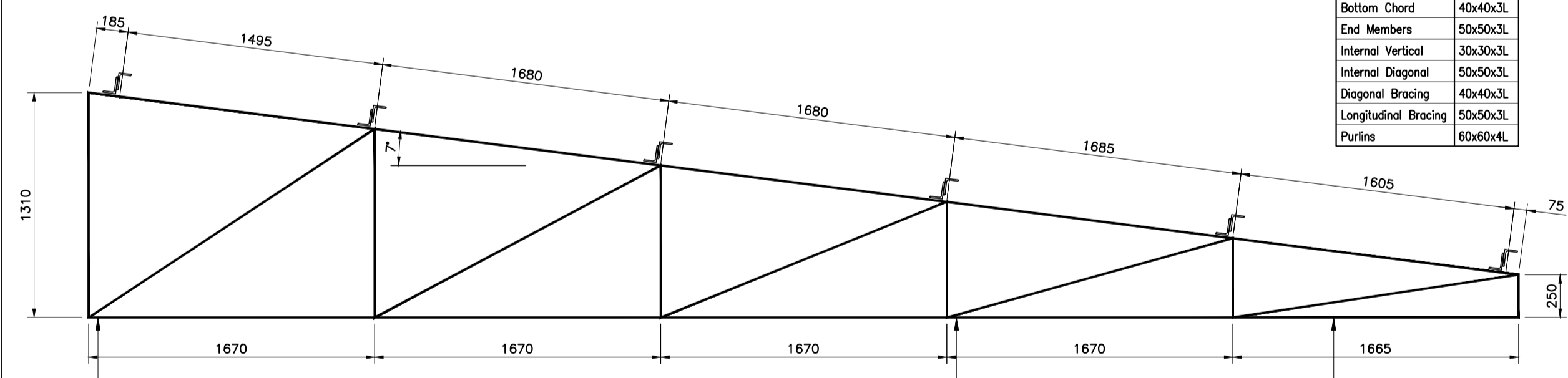


MEMBER SCHEDULE TRUSS T4	
Top chord	50x50x3L
Bottom Chord	40x40x3L
End Members	50x50x3L
Internal Vertical	30x30x3L
Internal Diagonal	50x50x3L
Diagonal Bracing	40x40x3L
Longitudinal Bracing	50x50x3L
Purlins	60x60x4L

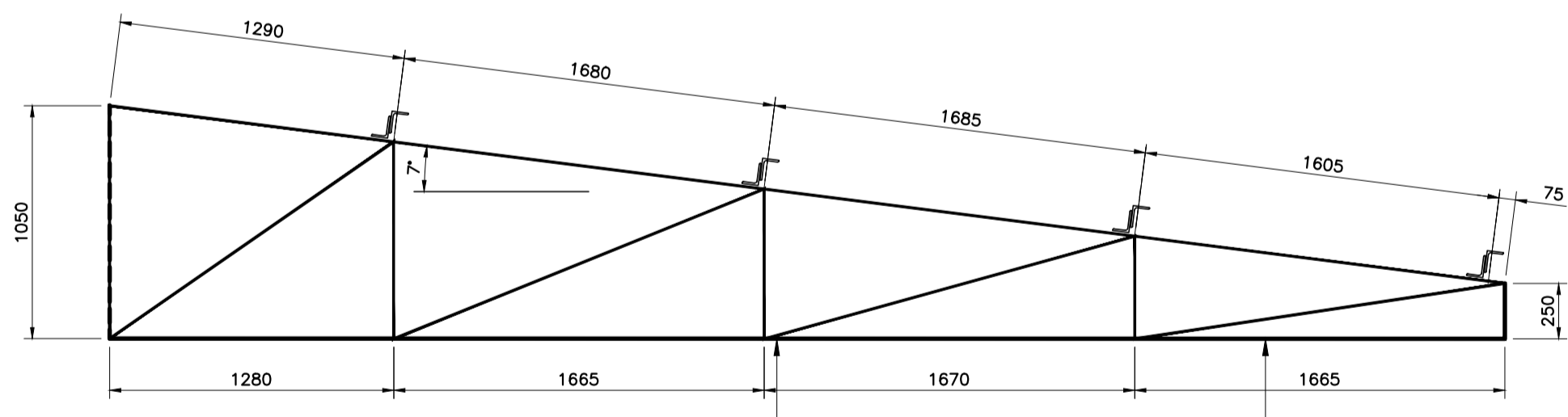
TRUSS TYPE T4 (2No. OFF)
SCALE 1:25

ROOF LAYOUT
SCALE 1:100

MEMBER SCHEDULE TRUSS T1	
Top chord	50x50x3L
Bottom Chord	40x40x3L
End Members	50x50x3L
Internal Vertical	30x30x3L
Internal Diagonal	50x50x3L
Diagonal Bracing	40x40x3L
Longitudinal Bracing	50x50x3L
Purlins	60x60x4L

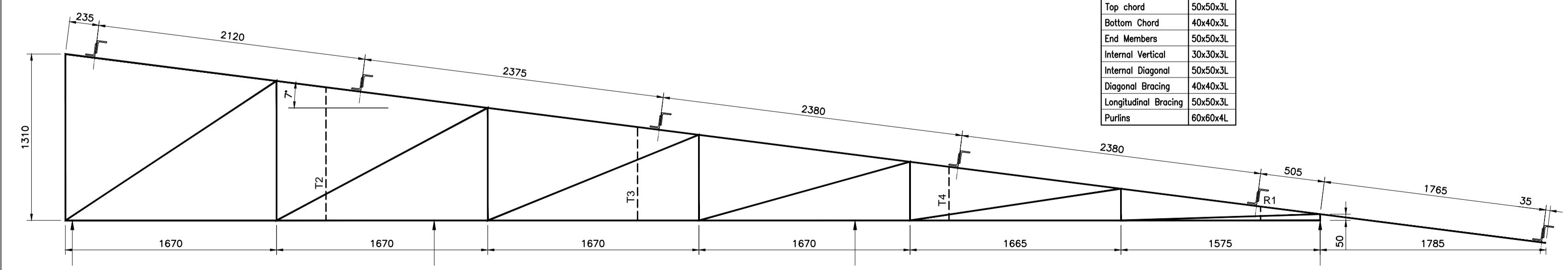


TRUSS TYPE T1 (48No. OFF)
SCALE 1:25



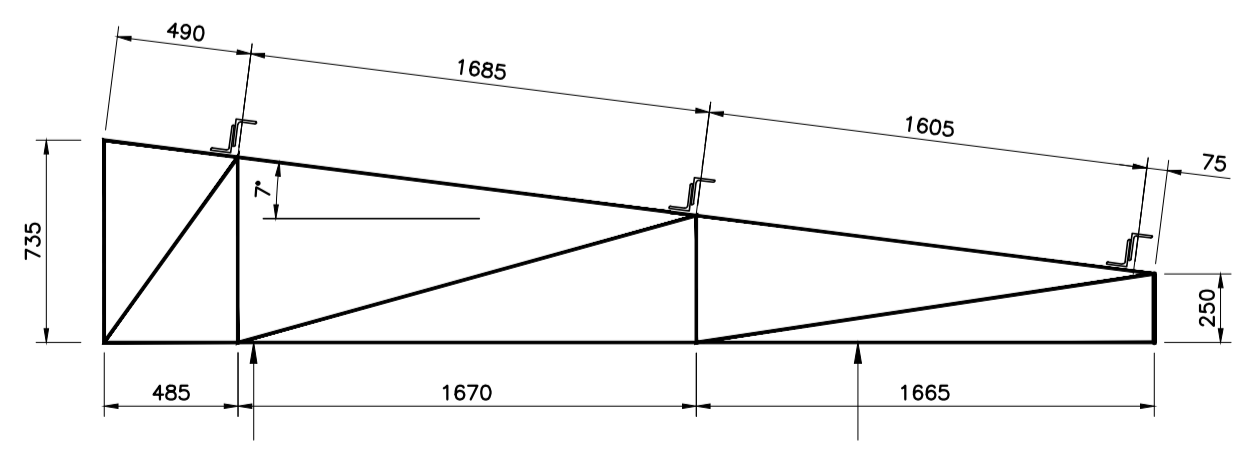
TRUSS TYPE T2 (2No. OFF)
SCALE 1:25

MEMBER SCHEDULE TRUSS T2	
Top chord	50x50x3L
Bottom Chord	40x40x3L
End Members	50x50x3L
Internal Vertical	30x30x3L
Internal Diagonal	50x50x3L
Diagonal Bracing	40x40x3L
Longitudinal Bracing	50x50x3L
Purlins	60x60x4L



TRUSS TYPE T5 (1No. OFF)
SCALE 1:25

MEMBER SCHEDULE TRUSS T5	
Top chord	50x50x3L
Bottom Chord	40x40x3L
End Members	50x50x3L
Internal Vertical	30x30x3L
Internal Diagonal	50x50x3L
Diagonal Bracing	40x40x3L
Longitudinal Bracing	50x50x3L
Purlins	60x60x4L




TRUSS TYPE T3 (2No. OFF)
SCALE 1:25

MEMBER SCHEDULE TRUSS T3	
Top chord	50x50x3L
Bottom Chord	40x40x3L
End Members	50x50x3L
Internal Vertical	30x30x3L
Internal Diagonal	50x50x3L
Diagonal Bracing	40x40x3L
Longitudinal Bracing	50x50x3L
Purlins	60x60x4L

REVISIONS			
REV. No.	DATE	DESCRIPTION	REV. BY.
0	15-07-13	ISSUED FOR MEASUREMENT	JM


APPROVED BY:
 NAME: _____
 SIGNATURE: _____ DATE: _____

CLIENT



SOUTH AFRICAN REVENUE SERVICES

CONSULTANT



E Square Engineering (Pty) Ltd
 P.O. BOX 2682
 NORTH RIDGE
 2102
 Sandburg - R.S.A.
 Tel + 27 (0)11 875 9907
 Fax + 27 (0)11 875 9906
 Email info@esquareeng.com

DISCIPLINE
STRUCTURAL

JOB TITLE
PROPOSED PART OF ROOF FOR THE CUSTOMS HOUSE

DRAWING TITLE
ROOF LAYOUT & DETAILS

ADDRESS/ SITE
SARS- CUSTOMS HOUSE, DURBAN

DRAWN BY: JM	DESIGNED BY: TD	CHECKED BY: IM	APPROVED BY: HHMS
DRG SCALE: AS SHOWN	DATE: 2013-07-15	PAPER SIZE: A1	REVISION No. 0

Client Project No. 131163
 Drawing No. 131163-3-001