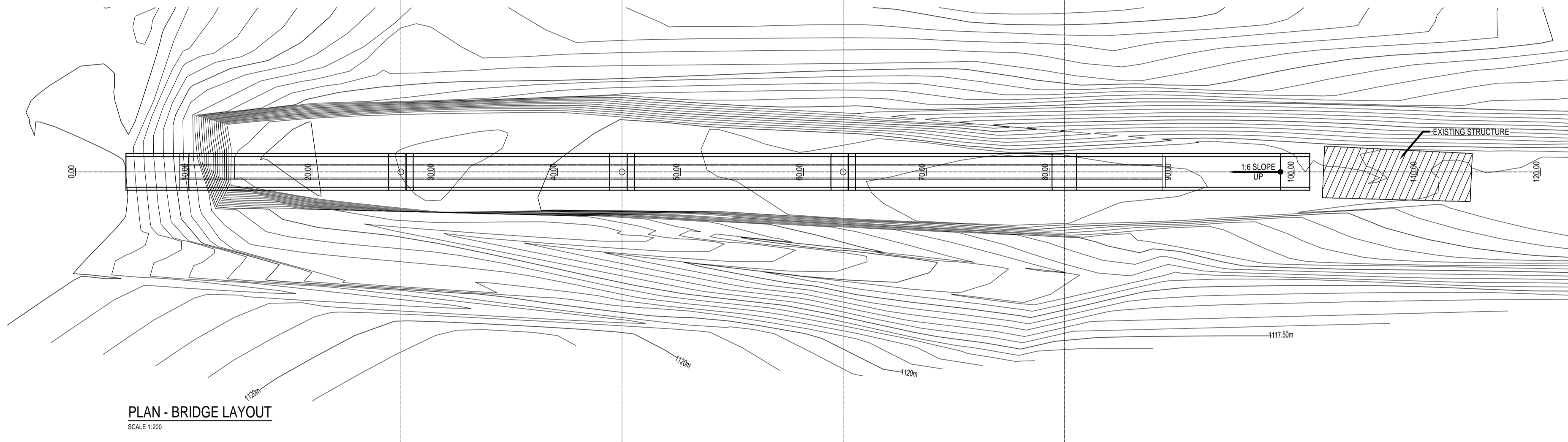
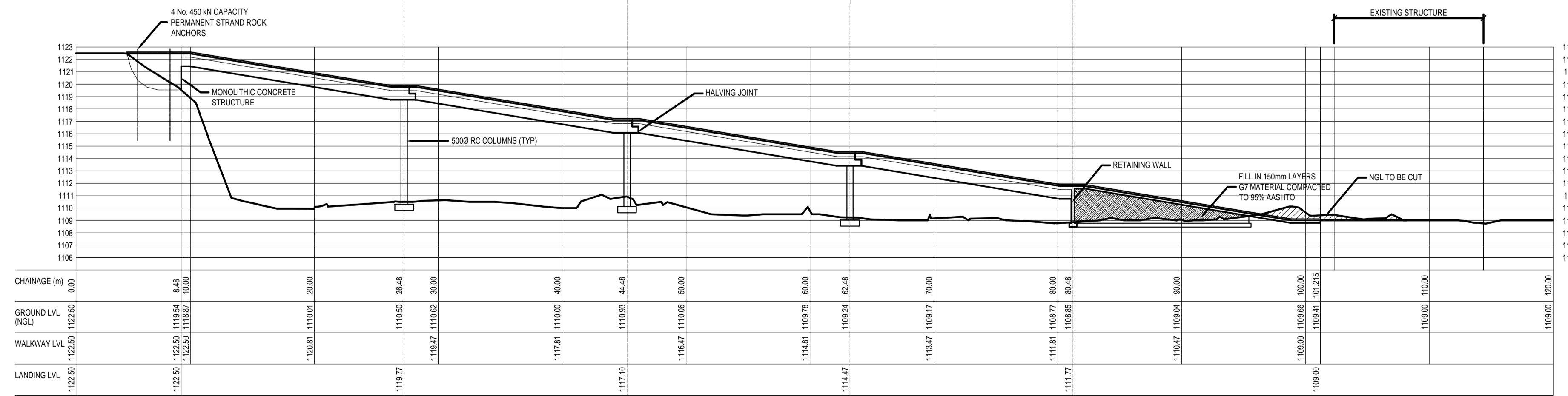


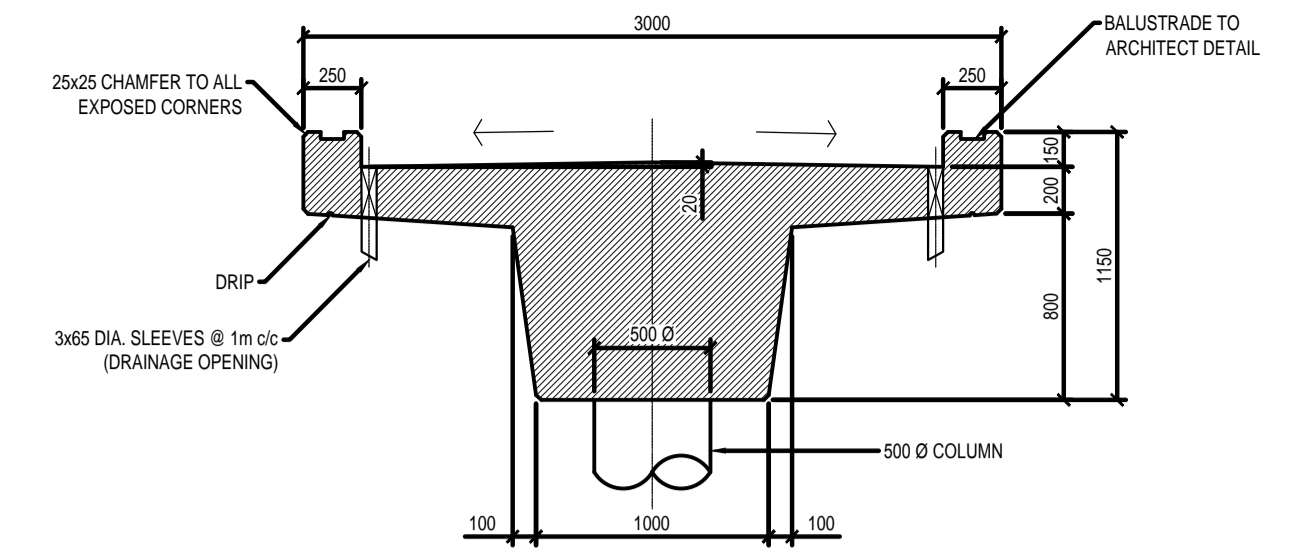
PLAN - FOUNDATION LAYOUT
SCALE 1:200



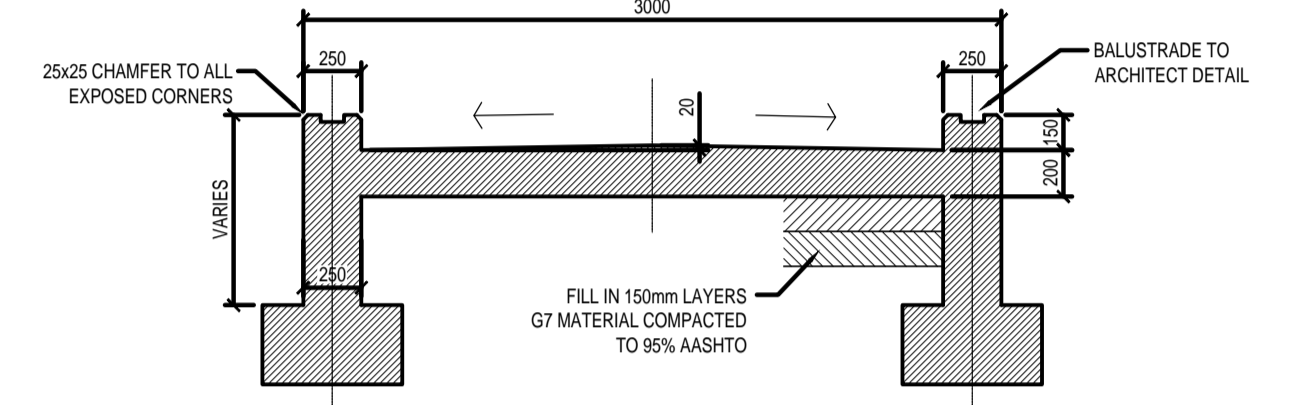
PLAN - BRIDGE LAYOUT
SCALE 1:200



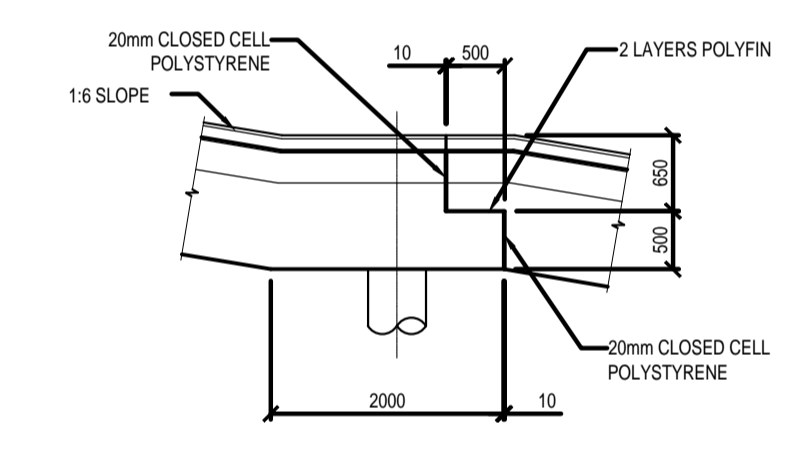
BRIDGE ELEVATION
SCALE 1:200



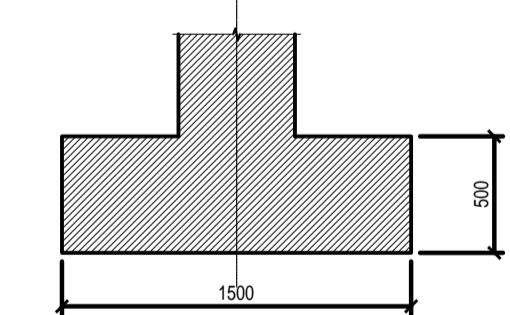
TYPICAL BRIDGE SECTION
SCALE 1:25



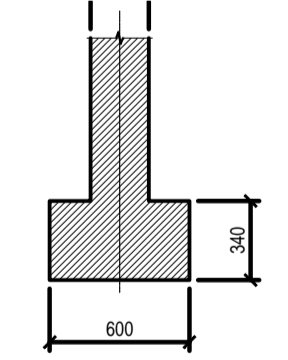
TYPICAL BRIDGE SECTION - ON COMPACTED FILL
SCALE 1:25



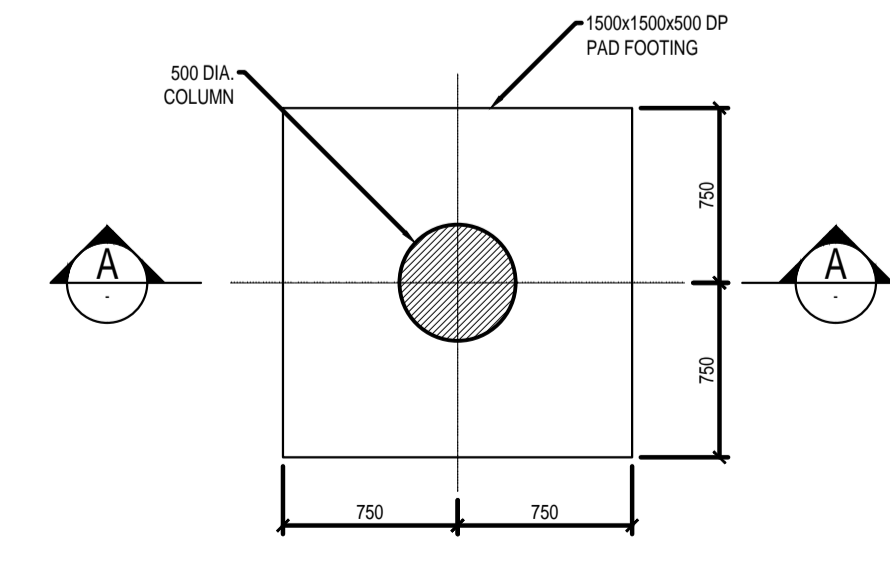
TYPICAL HALVING JOINT DETAIL
SCALE 1:50



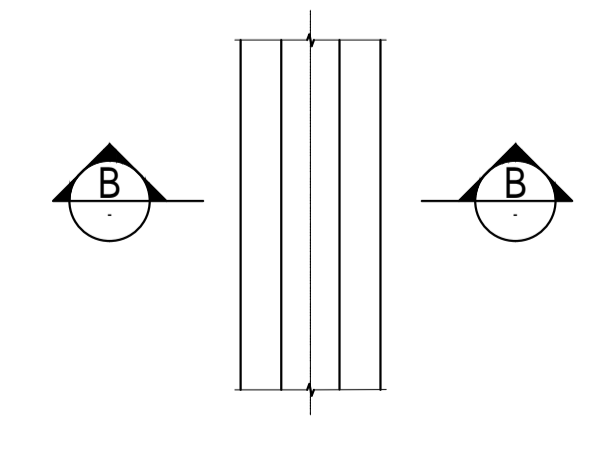
SECTION A
SCALE 1:25



SECTION B
SCALE 1:25



TYP. COLUMN BASE
SCALE 1:25



RETAINING WALL PLAN
SCALE 1:25