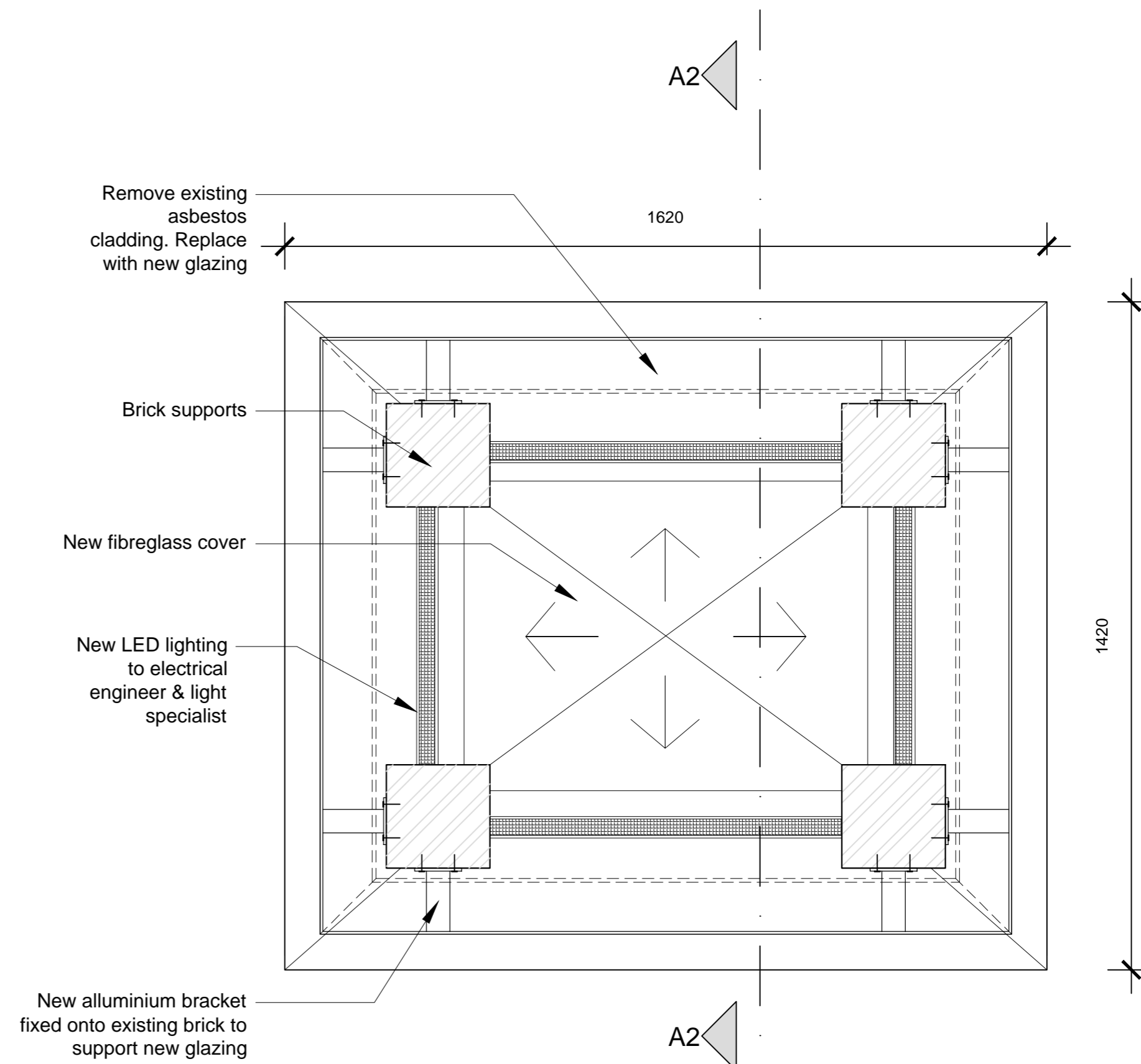


Typical Assumed Detail to be verified on site during construction
1:10



Typical Assumed Detailed Section Plan to be verified on site during construction
1:10

CLIENT		

REVISIONS		
NUMBER	DATE	DETAILS

DRAWING:	DESIGNED	RC
Beer Hall Chimney details	DRAWN	N.B.K.
	APPROVED	RC

SCALE	1:100				
DATE	2016.06.10				
COPYRIGHT RESERVED					
PROJECT	STAGE	DRAWING	NUMBER	REV	REVISION DATE
BH	T	D	6000-2B	-	-