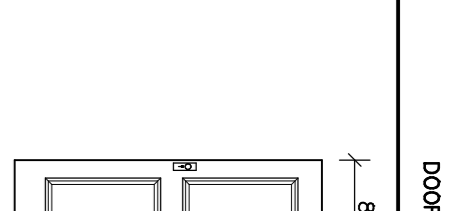


40mm Hollow core interior door size 762 x 2032mm high with 40mm hollow core exterior door panel for paint (See where specified).  
 Swept and weather grooved hardwood door frame (Code: 2022M), overall size 825 x 2127mm high to suit 815 x 2022mm high single door, sealed with clip-on glazing beads (Code: 10137/2002, fitted with friction stops, glazing beads with vinyl and woodcase sash plugged and screwed to brickwork or concrete, all in accordance with AAASA Selection Guide for Glazed Aluminium Architectural Aluminium Products - June 2008).



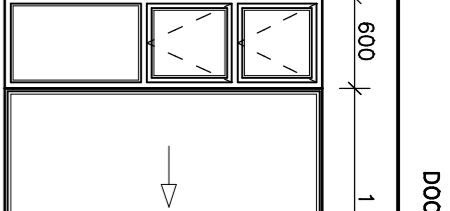
Large Opium lead lined White Beach veneered single solid vertical edge strip hung to and including aluminium door frame with one pair of 100mm nylon weather aluminium hinges including additional standing, trimming, etc. (Code: 2022M), overall size 825 x 2127mm high to suit 815 x 2022mm high single door, sealed with clip-on glazing beads (Code: 10137/2002, fitted with friction stops, glazing beads with vinyl and woodcase sash plugged and screwed to brickwork or concrete, all in accordance with AAASA Selection Guide for Glazed Aluminium Architectural Aluminium Products - June 2008).



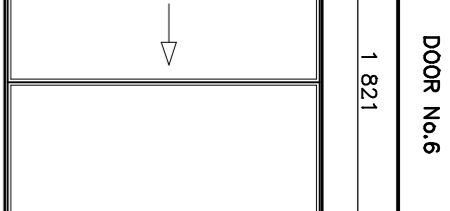
1700 Deep Weathered 2 Panel Engage handle light duty hollow core flange hung to and including aluminium door frame with built stile with exposed edges, manufactured in accordance with SANS 545:1989.  
 Swept and weather grooved hardwood door frame (Code: 2022M), overall size 825 x 2127mm high to suit 815 x 2022mm high single door, sealed with clip-on glazing beads (Code: 10137/2002, fitted with friction stops, glazing beads with vinyl and woodcase sash plugged and screwed to brickwork or concrete, all in accordance with AAASA Selection Guide for Glazed Aluminium Architectural Aluminium Products - June 2008).



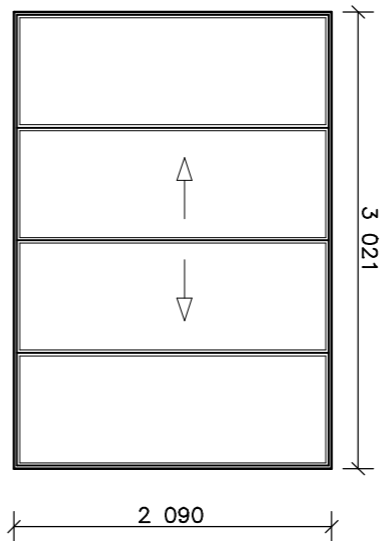
Prinorator Natural Anodized aluminium full pane Natural Anodized aluminium door frame (Code: S12081), glazed with SANS 1263 Part 1, 2 toughened safety glass, complying with SANS 1263 Part 1, 2 in accordance with NBR Part N schedule 1 and SANS 10137/2002, fitted with clip-on glazing beads with applicable seals, fixed to brickwork or concrete in accordance with AAASA Selection Guide for Glazed Aluminium Architectural Aluminium Products - June 2008.



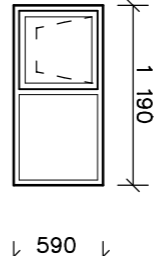
Prinorator Patio Door Natural Anodized aluminium two panel (Code: S12081), glazed with SANS 1263 Part 1, 2 toughened safety glass, complying with SANS 1263 Part 1, 2 in accordance with NBR Part N schedule 1 and SANS 10137/2002, fitted with clip-on glazing beads with applicable seals, fixed to brickwork or concrete in accordance with AAASA Selection Guide for Glazed Aluminium Architectural Aluminium Products - June 2008.



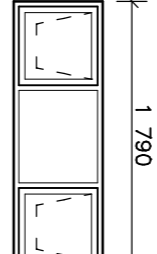
Prinorator Patio Door Natural Anodized aluminium two panel (Code: S12081), glazed with SANS 1263 Part 1, 2 toughened safety glass, complying with SANS 1263 Part 1, 2 in accordance with NBR Part N schedule 1 and SANS 10137/2002, fitted with clip-on glazing beads with applicable seals, fixed to brickwork or concrete in accordance with AAASA Selection Guide for Glazed Aluminium Architectural Aluminium Products - June 2008.



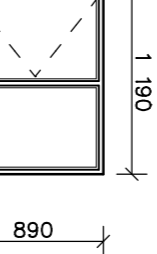
Prinorator Patio Door Natural Anodized aluminium four panel sliding door, size 2980 x 2090mm high (Code: S12081), glazed with SANS 1263 Part 1, 2 or 3 with name of the manufacturer permanently marked on each pane visible after glazing, in accordance with NBR Part N schedule 1 and SANS 10137/2002, fitted with friction stops, glazing beads with vinyl and woodcase sash plugged and screwed to brickwork or concrete, all in accordance with AAASA Selection Guide for Glazed Aluminium Architectural Aluminium Products - June 2008.



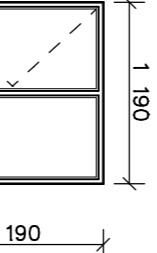
Prinorator Top hung Natural Anodized aluminium window, size 1190 x 990mm high (Code: S12081), complying with AAASA Performance criteria A1 (1000Pa) glazed with SANS 1263 Part 1, 2 or 3 with name of the manufacturer permanently marked on each pane visible after glazing, in accordance with NBR Part N schedule 1 and SANS 10137/2002, fitted with friction stops, glazing beads with vinyl and woodcase sash plugged and screwed to brickwork or concrete, all in accordance with AAASA Selection Guide for Glazed Aluminium Architectural Aluminium Products - June 2008.



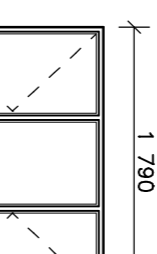
Prinorator Top hung Natural Anodized aluminium window, size 1790 x 990mm high (Code: S12081), complying with AAASA Performance criteria A1 (1000Pa) glazed with SANS 1263 Part 1, 2 or 3 with name of the manufacturer permanently marked on each pane visible after glazing, in accordance with NBR Part N schedule 1 and SANS 10137/2002, fitted with friction stops, glazing beads with vinyl and woodcase sash plugged and screwed to brickwork or concrete, all in accordance with AAASA Selection Guide for Glazed Aluminium Architectural Aluminium Products - June 2008.



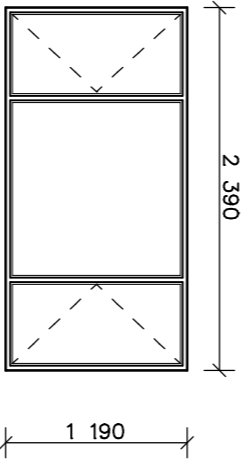
Prinorator Side hung Natural Anodized aluminium window, size 1190 x 990mm high (Code: S12081), complying with AAASA Performance criteria A1 (1000Pa) glazed with SANS 1263 Part 1, 2 or 3 with name of the manufacturer permanently marked on each pane visible after glazing, in accordance with NBR Part N schedule 1 and SANS 10137/2002, fitted with friction stops, glazing beads with vinyl and woodcase sash plugged and screwed to brickwork or concrete, all in accordance with AAASA Selection Guide for Glazed Aluminium Architectural Aluminium Products - June 2008.



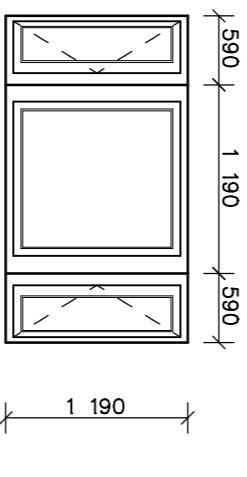
Prinorator Side hung Natural Anodized aluminium window, size 1190 x 1190mm high (Code: S12081), complying with AAASA Performance criteria A1 (1000Pa) glazed with SANS 1263 Part 1, 2 or 3 with name of the manufacturer permanently marked on each pane visible after glazing, in accordance with NBR Part N schedule 1 and SANS 10137/2002, fitted with friction stops, glazing beads with vinyl and woodcase sash plugged and screwed to brickwork or concrete, all in accordance with AAASA Selection Guide for Glazed Aluminium Architectural Aluminium Products - June 2008.



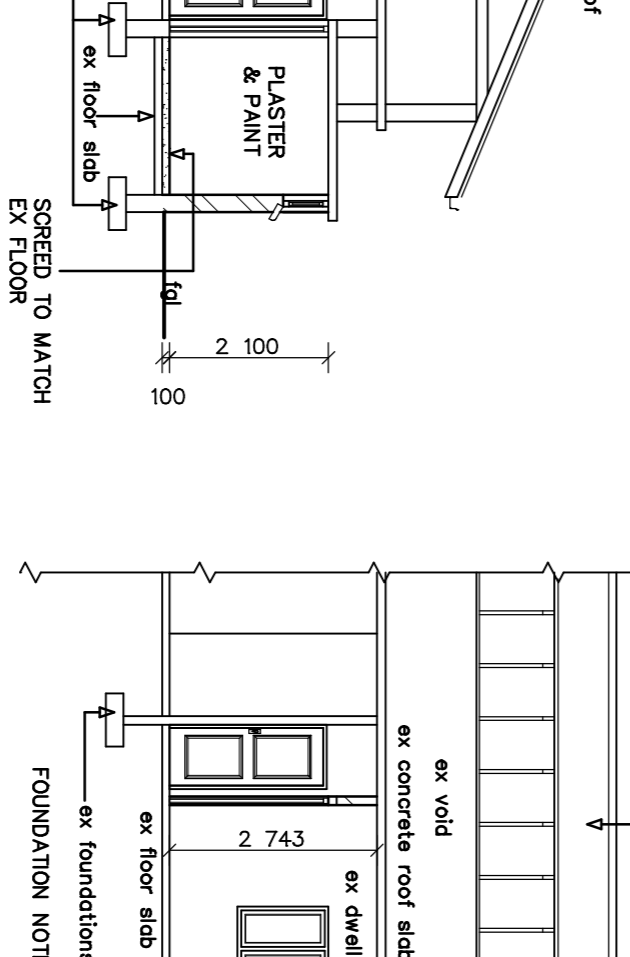
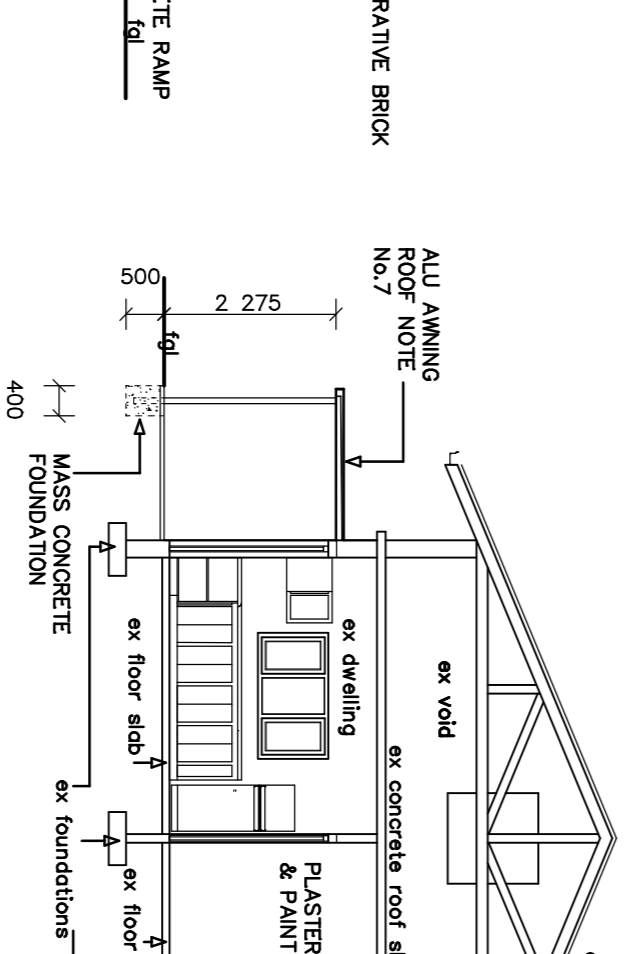
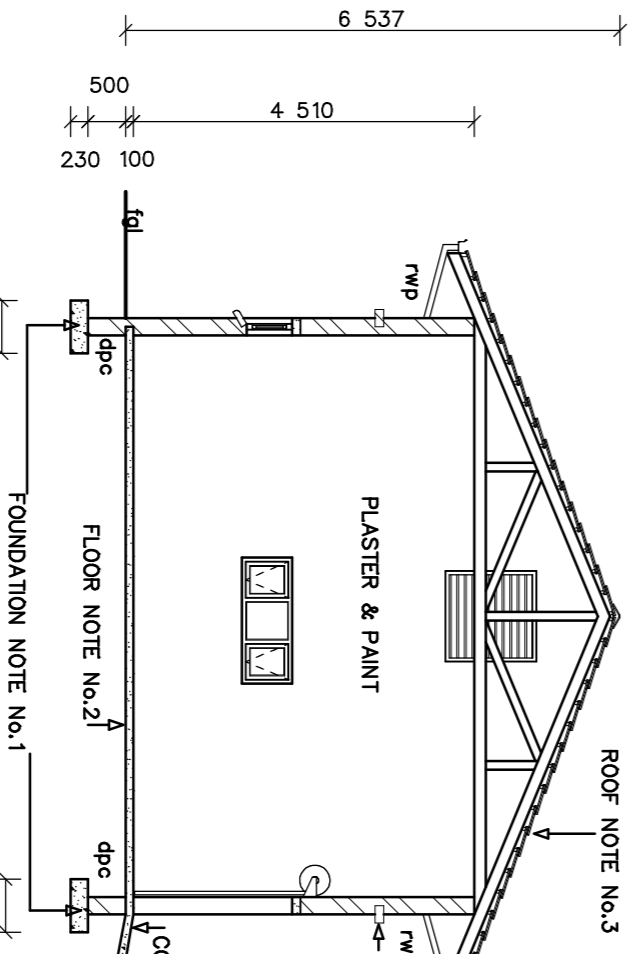
Prinorator Side hung Natural Anodized aluminium window, size 1790 x 1190mm high (Code: S12081), complying with AAASA Performance criteria A1 (1000Pa) glazed with SANS 1263 Part 1, 2 or 3 with name of the manufacturer permanently marked on each pane visible after glazing, in accordance with NBR Part N schedule 1 and SANS 10137/2002, fitted with friction stops, glazing beads with vinyl and woodcase sash plugged and screwed to brickwork or concrete, all in accordance with AAASA Selection Guide for Glazed Aluminium Architectural Aluminium Products - June 2008.



Prinorator Side hung Natural Anodized aluminium window, size 2380 x 1190mm high (Code: S12081), glazed with SANS 1263 Part 1, 2 or 3 with name of the manufacturer permanently marked on each pane visible after glazing, in accordance with NBR Part N schedule 1 and SANS 10137/2002, fitted with friction stops, glazing beads with vinyl and woodcase sash plugged and screwed to brickwork or concrete, all in accordance with AAASA Selection Guide for Glazed Aluminium Architectural Aluminium Products - June 2008.



BAY WINDOW comprising 2 of 1190 x 580mm high (Code: S12081), complying with AAASA Performance criteria A1 (1000Pa) glazed with SANS 1263 Part 1, 2 or 3 with name of the manufacturer permanently marked on each pane visible after glazing, in accordance with NBR Part N schedule 1 and SANS 10137/2002, fitted with friction stops, glazing beads with vinyl and woodcase sash plugged and screwed to brickwork or concrete, all in accordance with AAASA Selection Guide for Glazed Aluminium Architectural Aluminium Products - June 2008.



NAME	ADDRESS	SIGNATURE	TELEPHONE No.
J.E. BLANCY S. DAVIER J.L. DAVIER	92 ANLENO ROAD, MONTCLAIR	<i>[Signature]</i>	021 9623896
P.U. MELLIN	100 ANLENO ROAD, MONTCLAIR	<i>[Signature]</i>	0533373473
B.E. KHAYWE	108 ANLENO ROAD, MONTCLAIR	<i>[Signature]</i>	021 44028705
M.S.C. & S.R. MATHANVA	115 ANLENO ROAD, MONTCLAIR	<i>[Signature]</i>	

**GENERAL NOTES**  
 1. Drawings must be checked by the Contractor and only after before work is commenced.  
 2. All drawings to be read in conjunction with the Engineer's drawings where applicable.  
 3. Dimensions to be used in preference to scaling.  
 4. All work to be in accordance with the National Building Regulations and Building Standards Act No. 103 of 1978 and any building code.  
 5. Boundary walls to be erected prior to commencement of any building work.  
 6. These plans are the copyright of Plans & Projects and may not be duplicated or used for any other purpose than stated in the title block.

**STRUCTURAL NOTES**  
**FOUNDATIONS**  
 1. Slab footings 700mm x 230mm to be a minimum of 500mm below ground level in firm, undisturbed soil.  
 2. Foundations not to encroach over boundaries or servitudes.  
 3. All foundations to comply with SANS 10400 Part H.  
**WALLS**  
 1. Two courses of brickwork of full and half brick level to be reinforced with Bricksol in solid masonry joints.  
 2. Bricksol to be a minimum of 10mm thick.  
 3. Retaining walls to be re-inforced with bricksol in every fourth course in solid masonry joints.  
 4. Boundary walls are not to reach more than 500mm soil.  
 5. From movement joints to be provided at intervals not exceeding 10.00m.

**FLOOR SLABS**  
 1. SANS 1024, cast reinforced with 500mm square B1.C. mesh reinforcement, Green stamp printing on plastered.  
 2. 100mm thick U.S.G. Green stamp printing on plastered.  
 3. Screed, minimum 20 mm, maximum 50 mm, wood float finished to accept tile.  
 4. Screed, minimum 20 mm, maximum 50 mm, slurry coat.  
 5. All floors to comply with SANS 10400 Part J.  
**ROOF**  
 1. Form x 14mm wall plate.  
 2. Roof x 40mm rafters to be tied down with galvanised iron hoop ties secured eight courses into the brickwork.  
 3. Stormwater disposed to comply with SANS 10400 Part R.

**DRAINAGE**  
 1. All services pipes to be concealed in concrete under hardened screed.  
 2. Vent pipes to be stub stock fitted with 2 way Vent Valve.  
 3. Fit roofed traps to all fittings.  
 4. All waste pipes to be fully accessible at all times.  
 5. Fit anti-siphon valves to all fittings.  
 6. Direction of all soil & waste pipes, beads and changes of pipe to be clearly indicated on drawings.  
 7. All sinks & whis's to be provided with hot and cold water.  
 8. Pipe sizing - Waste pipes - 50mm UPVC.  
 9. 150 litre Soap S&B pipes - 100mm UPVC.  
 10. Discharge to comply with SANS 10400 Part P.

**FINISHES**  
 1. Plastered exterior walls: High quality PVA.  
 2. Plastered interior walls: High quality PVA.  
 3. Floor: -Grange ceramic tiles.

**PROJECT No. 2092 - 13**  
**DESIGNED MB**  
**CHECKED MB**  
**DRAWN MB**  
**REVISION**

**SHEET No. 3 of 3**  
**REV. No.**  
**SCALE 1:50**  
**DATE 30.01.2013**  
**DATE**

**OWNERS SIGNATURE**  
*[Signature]*

**CLIENT**  
**C. S. & P. NAIDOO**  
**PROJECT**  
**NEW ANGLIARY DWELLING**  
**UNIT, ENTERTAINMENT ROOM**  
**& BOUNDARY WALLS**  
**DRAWING TITLE**  
**AMAFI PERMIT APPLICATION**  
**CADASTRAL DESCRIPTION**  
**Portion 3 of Erf 876 SEA VIEW**  
**ADDRESS**  
**104 ANLENO ROAD, MONTCLAIR**  
**RATE No.**  
**4093 - 9057**  
**CONTACT TELEPHONE No.**  
**031 - 462 4355**

**PLANS**  
**PROBERTS**  
**ARCHITECTURAL DESIGN**  
**INDUSTRIAL ENGINEERING**  
**PROJECT MANAGEMENT**  
**1100 OCEAN VIEW**  
**607 Lighthouse Road**  
**OCEAN VIEW**  
**4032**  
**021 0291 458 - 4480**  
**Cell 0841 55 - 8079**  
**Fax 0861 716-9915**  
**e-mail plans@proberts.co.za**  
**website www.proberts.co.za**