

Dale Holder

From: Tsholofelo Shalot Sekonko <tsekonko@dffe.gov.za>
Sent: Monday, 28 March 2022 08:24
To: Dale Holder
Cc: MMatlala Rabothata; Tsholofelo Shalot Sekonko
Subject: NOTIFICATION OF AVAILABILITY OF DRAFT SCOPING REPORT FOR THE PROPOSED ARISTIDA AND THEMEDA PV PORTION 7 OF THE FARM ELANDSFONTEIN 34

Dear Mr Dale

Hope you are doing well.

DFFE Directorate: Biodiversity Conservation hereby acknowledge receipt of the invitation to review and comment on the Draft Scoping Report for the proposed Aristida and Themeda PV portion 7 of the farm Elandsfontein 34. Kindly note that the project has been allocated to Ms Rabothata and myself (both copied on this email).

Please note: All Public Participation Process documents related to Biodiversity EIA review and any other Biodiversity EIA queries will be submitted to the Directorate: Biodiversity Conservation at Email: BCAdmin@environment.gov.za for attention of Mr Seoka Lekota

Regards,

Ms. Tsholofelo Sekonko

Intern: Biodiversity Mainstreaming EIA

Department of Forestry, Fisheries and the Environment

473 Steve Biko and Soutpansberg Streets

Pretoria

Tel: (012) 399 9621

Email: tsekonko@environment.gov.za

'Please consider the environment before you print this email' The processing of personal information by the Department of Forestry, Fisheries and the Environment is done lawfully and not excessive to the purpose of processing in compliance with the POPI Act, any codes of conduct issued by the Information Regulator in terms of the POPI Act and / or relevant legislation providing appropriate security safeguards for the processing of personal information of others.

Dale Holder

From: Dale Holder
Sent: Monday, 28 March 2022 09:15
To: Tsholofelo Shalot Sekonko
Cc: MMatlala Rabothata
Subject: RE: NOTIFICATION OF AVAILABILITY OF DRAFT SCOPING REPORT FOR THE PROPOSED ARISTIDA AND THEMEDA PV PORTION 7 OF THE FARM ELANDSFONTEIN 34

Dear Tsolofelo

Thank you very much for the acknowledgement of receipt of the request for comment on the proposed Aristida and Themeda PV on portion 7 of the Farm Elandsfontein 34.

Please let me know if you require any further information or clarity,

Best Regards,

Dale Holder | 082 448 9225
SENIOR CONSULTANT | ECO | GIS
Ndip Nat. Con. (Pretoria Tech)

T: 044 874 0365
F: 044 874 0432
17 Progress Street, George
P O Box 2070, George 6530



Please Note: When registering as an Interested and Affected Party (I&AP), you consent to the lawful processing of personal information for the intended purposes, as described by the Protection of Personal Information Act, 2013 (Act no. 4 of 2013). Your information will be used for this project, including the initial application as well as subsequent related appeals, amendments or audits, or any future project where you are identified as an I&AP. You also agree that by submitting comment to inform this process, your contact details will, where required by a public body, be reflected in our regulated reports that must be compiled and submitted to the general public, registered stakeholders, organs of state as well as the competent authority for consideration and decision-making.

Kindly view our Privacy Statement for more information.

From: Tsholofelo Shalot Sekonko <tsekonko@dffe.gov.za>
Sent: Monday, 28 March 2022 08:24
To: Dale Holder <dale@cape-eaprac.co.za>
Cc: MMatlala Rabothata <MRABOTHATA@dffe.gov.za>; Tsholofelo Shalot Sekonko <tsekonko@dffe.gov.za>
Subject: NOTIFICATION OF AVAILABILITY OF DRAFT SCOPING REPORT FOR THE PROPOSED ARISTIDA AND THEMEDA PV PORTION 7 OF THE FARM ELANDSFONTEIN 34

Dear Mr Dale

Hope you are doing well.

DFFE Directorate: Biodiversity Conservation hereby acknowledge receipt of the invitation to review and comment on the Draft Scoping Report for the proposed Aristida and Themeda PV portion 7 of the farm Elandsfontein 34. Kindly note that the project has been allocated to Ms Rabothata and myself (both copied on this email).

Please note: All Public Participation Process documents related to Biodiversity EIA review and any other Biodiversity EIA queries will be submitted to the Directorate: Biodiversity Conservation at Email: BCAdmin@environment.gov.za for attention of Mr Seoka Lekota

Regards,

Ms. Tsholofelo Sekonko

Intern: Biodiversity Mainstreaming EIA

Department of Forestry, Fisheries and the Environment

473 Steve Biko and Soutpansberg Streets

Pretoria

Tel: (012) 399 9621

Email: tsekonko@environment.gov.za

'Please consider the environment before you print this email' The processing of personal information by the Department of Forestry, Fisheries and the Environment is done lawfully and not excessive to the purpose of processing in compliance with the POPI Act, any codes of conduct issued by the Information Regulator in terms of the POPI Act and / or relevant legislation providing appropriate security safeguards for the processing of personal information of others.

Dale Holder

From: Itumeleng Setshoane <isetshoane@dffe.gov.za>
Sent: Monday, 28 March 2022 09:19
To: Dale Holder
Subject: RE: NOTIFICATION OF AVAILABILITY OF DRAFT SCOPING REPORT FOR THE PROPOSED ARISTIDA AND THEMEDA PV PORTION 7 OF THE FARM ELANDSFONTEIN 34

Good day Dale

Thanks for the email. I am having a challenge of opening the Draft scoping report.

Regards

Itumeleng Setshoane

From: Dale Holder <dale@cape-eaprac.co.za>
Sent: Friday, 25 March 2022 13:20
To: andre.duplessis@misa.gov.za; artshabadira@gmail.com; boikanyo0515@gmail.com; CherityG@daff.gov.za; chrisduplessis@nwisp.co.za; cwessels@nwpg.gov.za; david.nunez@siriuspower.co.za; digiteltech@webmail.co.za; drferdi@denand.co.za; ebvanwyk@gmail.com; energy@birdlife.org.za; GeerinJH@eskom.co.za; henrynel@telkomsa.net; Itumeleng Setshoane <isetshoane@dffe.gov.za>; ivy@nwisp.co.za; jacovennas@gmail.com; janse@agrisa.co.za; Kgalamothibedi@gmail.com; kgalamothibedi@gmail.com; kinglebogangmongale04@gmail.com; leeubos@gmail.com; letlhakujay@gmail.com; letlhakujonas@gmail.com; louisavd@nwisp.co.za; M2Kscons@gmail.com; mabuzap@dws.gov.za; mariette@pea.org.za; marlize@agrinw.co.za; mashuduma@daff.gov.za; mbengoc@nmmdm.gov.za; mbengoc@nmmdm.gov.za; mddikoko@gmail.com; metswamere@ymail.com; mohetabuti@gmail.com; Buti.moheta@gmail.com; moiloag24@gmail.com; motlhabane@gmail.com; motsamaib@nmmdm.gov.za; Mulalo Sundani <msundani@dffe.gov.za>; nel.1305@yahoo.com; nicolene@savannahsa.com; odendaalbraaikuikens@gmail.com; odendaalbraaikuikens@gmail.com; Pieter.Swart@dmr.gov.za; lpeleng.Wesi@dmr.gov.za; P. Krisjan <PKrisjan@nwpg.gov.za>; pulejack@gmail.com; pulenyanek@nmmdm.gov.za; raatom@gmail.com; rataus@dws.gov.za; rlebu4139@gmail.com; sambulom@nda.agric.za; Selekanep@daff.gov.za; Seoka Lekota <SLEKOTA@dffe.gov.za>; BC Admin <bcadmin@dffe.gov.za>; tboshoff <tboshoff@nwpg.gov.za>; tiaan6402@gmail.com; Tsholofelo.dinaane99@yahoo.com; vanniekerkgiet@ditsobotla.gov.za; wanda@agrinw.co.za; wanda@agrinw.co.za; wanda@agrinw.co.za; wanda@agrinw.co.za; wanda@agrinw.co.za; wessels@nwiso.co.za; wessels@nwiso.co.za; wessels@nwiso.co.za; oskosana@nwpg.gov.za
Subject: NOTIFICATION OF AVAILABILITY OF DRAFT SCOPING REPORT FOR THE PROPOSED ARISTIDA AND THEMEDA PV PORTION 7 OF THE FARM ELANDSFONTEIN 34

Dear Potential Interested and Affected Party

NOTIFICATION OF AVAILABILITY OF DRAFT SCOPING REPORT FOR THE PROPOSED ARISTIDA PV AND THEMEDA PV ON PORTION 7 OF THE FARM ELANDSFONTEIN 34 SITUATED NEAR LICHTENBURG, IN THE DITSOBOTLA LOCAL MUNICIPALITY OF THE NORTH-WEST PROVINCE.

DFFE Reference No. : 2022-01-0010 (Pre-Application Reference Number)
DFFE Case Officer: : Ms Julliet Mahlangu

Kindly find the attached notification regarding the availability of the Draft Scoping Report for the proposed Aristida PV and Themeda PV facilities on Portions 7 of the Farm Elandsfontein 34 near Lichtenburg in the Northwest Province.

You are hereby notified that the Draft Scoping Report (SR) is available for review and comment until **26 April 2022**.

Please note, that other than the Cape EAPrac website, the Draft Scoping Reports and all appendices are also available on the dedicated download link below.

<https://www.dropbox.com/scl/fo/svp6n78ckj6xx7uafo22g/h?dl=0&rlkey=x02jif0cshzmo505cz5e7uikk>

Should you not be able to access the digital platforms above, please contact Cape EAPrac on the contact details below and we will arrange an alternative mechanism of providing access to the report.

Please contact the undersigned, should you have any further queries in this regard.

Sincerely,

Dale Holder | 082 448 9225
SENIOR CONSULTANT | ECO | GIS
Ndip Nat. Con. (Pretoria Tech)

T: 044 874 0365
F: 044 874 0432
17 Progress Street, George
P O Box 2070, George 6530



Please Note: When registering as an Interested and Affected Party (I&AP), you consent to the lawful processing of personal information for the intended purposes, as described by the Protection of Personal Information Act, 2013 (Act no. 4 of 2013). Your information will be used for this project, including the initial application as well as subsequent related appeals, amendments or audits, or any future project where you are identified as an I&AP. You also agree that by submitting comment to inform this process, your contact details will, where required by a public body, be reflected in our regulated reports that must be compiled and submitted to the general public, registered stakeholders, organs of state as well as the competent authority for consideration and decision-making.

Kindly view our Privacy Statement for more information.

Dale Holder

From: Dale Holder
Sent: Monday, 28 March 2022 09:32
To: Itumeleng Setshoane
Subject: RE: NOTIFICATION OF AVAILABILITY OF DRAFT SCOPING REPORT FOR THE PROPOSED ARISTIDA AND THEMEDA PV PORTION 7 OF THE FARM ELANDSFONTEIN 34

Dear Itumeleng

I have checked the dropbox link below (<https://www.dropbox.com/scl/fo/svp6n78ckj6xx7uafo22g/h?dl=0&rlkey=x02jif0cshzmo505cz5e7uikk>) and the Cape EAPrac Website and both links are working fine from this side.

I have also uploaded to We Transfer links below – hopefully you will be able to access these (please let me know if you are able to access).

Aristida PV

<https://we.tl/t-jQVkhK3cUq>

Themeda PV

<https://we.tl/t-PdGmqHgKfH>

Best Regards,

Dale Holder | 082 448 9225
SENIOR CONSULTANT | ECO | GIS
Ndip Nat. Con. (Pretoria Tech)

T: 044 874 0365
F: 044 874 0432
17 Progress Street, George
P O Box 2070, George 6530



Please Note: When registering as an Interested and Affected Party (I&AP), you consent to the lawful processing of personal information for the intended purposes, as described by the Protection of Personal Information Act, 2013 (Act no. 4 of 2013). Your information will be used for this project, including the initial application as well as subsequent related appeals, amendments or audits, or any future project where you are identified as an I&AP. You also agree that by submitting comment to inform this process, your contact details will, where required by a public body, be reflected in our regulated reports that must be compiled and submitted to the general public, registered stakeholders, organs of state as well as the competent authority for consideration and decision-making.

Kindly view our Privacy Statement for more information.

From: Itumeleng Setshoane <isetshoane@dffe.gov.za>
Sent: Monday, 28 March 2022 09:19
To: Dale Holder <dale@cape-eaprac.co.za>
Subject: RE: NOTIFICATION OF AVAILABILITY OF DRAFT SCOPING REPORT FOR THE PROPOSED ARISTIDA AND THEMEDA PV PORTION 7 OF THE FARM ELANDSFONTEIN 34

Good day Dale

Thanks for the email. I am having a challenge of opening the Draft scoping report.

Regards

Itumeleng Setshoane

From: Dale Holder <dale@cape-eaprac.co.za>

Sent: Friday, 25 March 2022 13:20

To: andre.duplessis@misa.gov.za; artshabadira@gmail.com; boikanyo0515@gmail.com; CherityG@daff.gov.za; chrisduplessis@nwisp.co.za; cwessels@nwpg.gov.za; david.nunez@siriuspower.co.za; digiteltech@webmail.co.za; drferdi@denand.co.za; ebvanwyk@gmail.com; energy@birdlife.org.za; GeerinJH@eskom.co.za; henrynel@telkomsa.net; Itumeleng Setshoane <isetshoane@dffe.gov.za>; ivy@nwisp.co.za; jacovennas@gmail.com; janse@agrisa.co.za; Kgalamothisbedi@gmail.com; kgalamothibedi@gmail.com; kinglebogangmongale04@gmail.com; leeubos@gmail.com; letlhakujay@gmail.com; letlhakujonas@gmail.com; louisavd@nwisp.co.za; M2Kscons@gmail.com; mabuzap@dws.gov.za; mariette@pea.org.za; marlize@agrinw.co.za; mashuduma@daff.gov.za; mbengoc@nmmdm.gov.za; mbengoc@nmmdm.gov.za; mddikoko@gmail.com; metswamere@ymail.com; mohetabuti@gmail.com; Buti.moheta@gmail.com; moiloag24@gmail.com; motlhabane@gmail.com; motsamaib@nmmdm.gov.za; Mulalo Sundani <msundani@dffe.gov.za>; nel.1305@yahoo.com; nicolene@savannahsa.com; odendaalbraaikuiakens@gmail.com; odendaalbraaikuiakens@gmail.com; Pieter.Swart@dmr.gov.za; lpeleng.Wesi@dmr.gov.za; P. Krisjan <PKrisjan@nwpg.gov.za>; pulejack@gmail.com; pulenyane@nmmdm.gov.za; raatom@gmail.com; rataus@dws.gov.za; rlebu4139@gmail.com; sambulom@nda.agric.za; SelekaneP@daff.gov.za; Seoka Lekota <SLEKOTA@dffe.gov.za>; BC Admin <bcadmin@dffe.gov.za>; tboshoff@nwpg.gov.za; tiaan6402@gmail.com; Tsholofelo.dinaane99@yahoo.com; vanniekerkgiet@mitsobotla.gov.za; wanda@agrinw.co.za; wanda@agrinw.co.za; wanda@agrinw.co.za; wanda@agrinw.co.za; wanda@agrinw.co.za; wessels@nwiso.co.za; wessels@nwiso.co.za; wessels@nwiso.co.za; oskosana@nwpg.gov.za

Subject: NOTIFICATION OF AVAILABILITY OF DRAFT SCOPING REPORT FOR THE PROPOSED ARISTIDA AND THEMEDA PV PORTION 7 OF THE FARM ELANDSFONTEIN 34

Dear Potential Interested and Affected Party

NOTIFICATION OF AVAILABILITY OF DRAFT SCOPING REPORT FOR THE PROPOSED ARISTIDA PV AND THEMEDA PV ON PORTION 7 OF THE FARM ELANDSFONTEIN 34 SITUATED NEAR LICHTENBURG, IN THE DITSOBOTLA LOCAL MUNICIPALITY OF THE NORTH-WEST PROVINCE.

DFFE Reference No. : 2022-01-0010 (Pre-Application Reference Number)
DFFE Case Officer: : Ms Julliet Mahlangu

Kindly find the attached notification regarding the availability of the Draft Scoping Report for the proposed Aristida PV and Themeda PV facilities on Portions 7 of the Farm Elandsfontein 34 near Lichtenburg in the Northwest Province.

You are hereby notified that the Draft Scoping Report (SR) is available for review and comment until **26 April 2022**.

Please note, that other than the Cape EAPrac website, the Draft Scoping Reports and all appendices are also available on the dedicated download link below.

<https://www.dropbox.com/scl/fo/svp6n78ckj6xx7uafo22g/h?dl=0&rlkey=x02jif0cshzmo505cz5e7uikk>

Should you not be able to access the digital platforms above, please contact Cape EAPrac on the contact details below and we will arrange an alternative mechanism of providing access to the report.

Please contact the undersigned, should you have any further queries in this regard.

Sincerely,

Dale Holder | 082 448 9225
SENIOR CONSULTANT | ECO | GIS
Ndip Nat. Con. (Pretoria Tech)

T: 044 874 0365
F: 044 874 0432
17 Progress Street, George
P O Box 2070, George 6530



Please Note: When registering as an Interested and Affected Party (I&AP), you consent to the lawful processing of personal information for the intended purposes, as described by the Protection of Personal Information Act, 2013 (Act no. 4 of 2013). Your information will be used for this project, including the initial application as well as subsequent related appeals, amendments or audits, or any future project where you are identified as an I&AP. You also agree that by submitting comment to inform this process, your contact details will, where required by a public body, be reflected in our regulated reports that must be compiled and submitted to the general public, registered stakeholders, organs of state as well as the competent authority for consideration and decision-making.

Kindly view our Privacy Statement for more information.

Dale Holder

From: Central Point <CentralP@dws.gov.za>
Sent: Monday, 28 March 2022 10:16
To: Dale Holder
Cc: Central Point
Subject: RE: NOTIFICATION OF AVAILABILITY OF DRAFT SCOPING REPORT FOR THE PROPOSED ARISTIDA AND THEMEDA PV PORTION 7 OF THE FARM ELANDSFONTEIN 34

Good day,

On behalf of the Director-General, Dr Sean Phillips, this email serves to acknowledge receipt of your correspondence below which will receive the necessary attention by the Department of Water and Sanitation (DWS).

Kindest regards

Central Point

From: Dale Holder <dale@cape-eaprac.co.za>
Sent: Friday, 25 March 2022 13:20
To: andre.duplessis@misa.gov.za; artshabadira@gmail.com; boikanyo0515@gmail.com; CherityG@daff.gov.za; chrisduplessis@nwisp.co.za; CWessels@nwpg.gov.za; david.nunez@siriuspower.co.za; digiteltech@webmail.co.za; drferdi@denand.co.za; ebvanwyk@gmail.com; energy@birdlife.org.za; GeerinJH@eskom.co.za; henrynel@telkomsa.net; isetshoane@environment.gov.za; ivy@nwisp.co.za; jacovennas@gmail.com; janse@agrisa.co.za; Kgalamothibedi@gmail.com; kgalamothibedi@gmail.com; kinglebogangmongale04@gmail.com; leeubos@gmail.com; letlhakujay@gmail.com; letlhakujonas@gmail.com; louisavd@nwisp.co.za; M2Kscons@gmail.com; Mabuza Peggy <MabuzaP@dws.gov.za>; mariette@pea.org.za; marlize@agrinw.co.za; mashuduma@daff.gov.za; mbengoc@nmmdm.gov.za; mbengoc@nmmdm.gov.za; mddikoko@gmail.com; metswamere@ymail.com; mohetabuti@gmail.com; Buti.moheta@gmail.com; moiloag24@gmail.com; motlhabane@gmail.com; motsamaib@nmmdm.gov.za; msundani@environment.gov.za; nel.1305@yahoo.com; nicolene@savannahsa.com; odendaalbraaikuiakens@gmail.com; odendaalbraaikuiakens@gmail.com; Pieter.Swart@dmr.gov.za; lpeleng.Wesi@dmr.gov.za; Pkrisjan@nwpg.gov.za; pulejack@gmail.com; pulenyane@nmmdm.gov.za; raatom@gmail.com; Ratau Sputnik <RatauS@dws.gov.za>; rlebu4139@gmail.com; sambulom@nda.agric.za; SelekaneP@daff.gov.za; slekota@environment.gov.za; BCAdmin@environment.gov.za; tboshoff@nwpg.gov.za; tiaan6402@gmail.com; Tsholofelo.dinaane99@yahoo.com; vanniekerkgiet@mitsobotla.gov.za; wanda@agrinw.co.za; wanda@agrinw.co.za; wanda@agrinw.co.za; wanda@agrinw.co.za; wanda@agrinw.co.za; wessels@nwiso.co.za; wessels@nwiso.co.za; wessels@nwiso.co.za; oskosana@nwpg.gov.za
Subject: NOTIFICATION OF AVAILABILITY OF DRAFT SCOPING REPORT FOR THE PROPOSED ARISTIDA AND THEMEDA PV PORTION 7 OF THE FARM ELANDSFONTEIN 34

Dear Potential Interested and Affected Party

NOTIFICATION OF AVAILABILITY OF DRAFT SCOPING REPORT FOR THE PROPOSED ARISTIDA PV AND THEMEDA PV ON PORTION 7 OF THE FARM ELANDSFONTEIN 34 SITUATED NEAR LICHTENBURG, IN THE DITSOBOTLA LOCAL MUNICIPALITY OF THE NORTH-WEST PROVINCE.

DFFE Reference No. : 2022-01-0010 (Pre-Application Reference Number)
DFFE Case Officer: : Ms Julliet Mahlangu

Kindly find the attached notification regarding the availability of the Draft Scoping Report for the proposed Aristida PV and Themeda PV facilities on Portions 7 of the Farm Elandsfontein 34 near Lichtenburg in the Northwest Province.

You are hereby notified that the Draft Scoping Report (SR) is available for review and comment until **26 April 2022**.

Please note, that other than the Cape EAPrac website, the Draft Scoping Reports and all appendices are also available on the dedicated download link below.

<https://www.dropbox.com/scl/fo/svp6n78ckj6xx7uaf022g/h?dl=0&rlkey=x02jif0cshzmo505cz5e7uikk>

Should you not be able to access the digital platforms above, please contact Cape EAPrac on the contact details below and we will arrange an alternative mechanism of providing access to the report.

Please contact the undersigned, should you have any further queries in this regard.

Sincerely,

Dale Holder | 082 448 9225
SENIOR CONSULTANT | ECO | GIS
Ndip Nat. Con. (Pretoria Tech)

T: 044 874 0365
F: 044 874 0432
17 Progress Street, George
PO Box 2070, George 6530



Please Note: When registering as an Interested and Affected Party (I&AP), you consent to the lawful processing of personal information for the intended purposes, as described by the Protection of Personal Information Act, 2013 (Act no. 4 of 2013). Your information will be used for this project, including the initial application as well as subsequent related appeals, amendments or audits, or any future project where you are identified as an I&AP. You also agree that by submitting comment to inform this process, your contact details will, where required by a public body, be reflected in our regulated reports that must be compiled and submitted to the general public, registered stakeholders, organs of state as well as the competent authority for consideration and decision-making.

Kindly view our Privacy Statement for more information.

Dale Holder

From: Itumeleng Setshoane <isetshoane@dffe.gov.za>
Sent: Monday, 28 March 2022 10:54
To: Dale Holder
Subject: RE: NOTIFICATION OF AVAILABILITY OF DRAFT SCOPING REPORT FOR THE PROPOSED ARISTIDA AND THEMEDA PV PORTION 7 OF THE FARM ELANDSFONTEIN 34

Hi Dale

I received the documents and will make comments and submit.

Regards

Itumeleng Setshoane

From: Dale Holder <dale@cape-eaprac.co.za>
Sent: Monday, 28 March 2022 09:32
To: Itumeleng Setshoane <isetshoane@dffe.gov.za>
Subject: RE: NOTIFICATION OF AVAILABILITY OF DRAFT SCOPING REPORT FOR THE PROPOSED ARISTIDA AND THEMEDA PV PORTION 7 OF THE FARM ELANDSFONTEIN 34

Dear Itumeleng

I have checked the dropbox link below
(<https://www.dropbox.com/s/cl/fo/svp6n78ckj6xx7uafo22g/h?dl=0&rlkey=x02jif0cshzmo505cz5e7uikk>) and the Cape EAPrac Website and both links are working fine from this side.

I have also uploaded to We Transfer links below – hopefully you will be able to access these (please let me know if you are able to access).

Aristida PV
<https://we.tl/t-jQVkhK3cUq>

Themeda PV
<https://we.tl/t-PdGmqHgKfH>

Best Regards,

Dale Holder | 082 448 9225
SENIOR CONSULTANT | ECO | GIS
Ndip Nat. Con. (Pretoria Tech)

T: 044 874 0365
F: 044 874 0432
17 Progress Street, George
P O Box 2070, George 6530



Please Note: When registering as an Interested and Affected Party (I&AP), you consent to the lawful processing of personal information for the intended purposes, as described by the Protection of Personal Information Act, 2013 (Act no. 4 of 2013). Your information will be used for this project, including the initial application as well as subsequent related appeals, amendments or audits, or any future project where you are identified as an I&AP. You also agree that by submitting comment to inform this process, your contact details will, where required by a public body, be reflected in our regulated reports that must

be compiled and submitted to the general public, registered stakeholders, organs of state as well as the competent authority for consideration and decision-making.

Kindly view our Privacy Statement for more information.

From: Itumeleng Setshoane <isetshoane@dffe.gov.za>

Sent: Monday, 28 March 2022 09:19

To: Dale Holder <dale@cape-eaprac.co.za>

Subject: RE: NOTIFICATION OF AVAILABILITY OF DRAFT SCOPING REPORT FOR THE PROPOSED ARISTIDA AND THEMEDA PV PORTION 7 OF THE FARM ELANDSFONTEIN 34

Good day Dale

Thanks for the email. I am having a challenge of opening the Draft scoping report.

Regards

Itumeleng Setshoane

From: Dale Holder <dale@cape-eaprac.co.za>

Sent: Friday, 25 March 2022 13:20

To: andre.duplessis@misa.gov.za; artshabadira@gmail.com; boikanyo0515@gmail.com; CherityG@daff.gov.za; chrisduplessis@nwisp.co.za; cwessels@nwpg.gov.za; david.nunez@siriuspower.co.za; digiteltech@webmail.co.za; drferdi@denand.co.za; ebvanwyk@gmail.com; energy@birdlife.org.za; GeerinJH@eskom.co.za; henrynel@telkomsa.net; Itumeleng Setshoane <isetshoane@dffe.gov.za>; ivy@nwisp.co.za; jacovennas@gmail.com; janse@agrisa.co.za; Kgalamothibedi@gmail.com; kgalamothibedi@gmail.com; kinglebogangmongale04@gmail.com; leeubos@gmail.com; letlhakujay@gmail.com; letlhakujonas@gmail.com; louisavd@nwisp.co.za; M2Kscons@gmail.com; mabuzap@dws.gov.za; mariette@pea.org.za; marlize@agrinw.co.za; mashuduma@daff.gov.za; mbengoc@nmmdm.gov.za; mbengoc@nmmdm.gov.za; mddikoko@gmail.com; metswamere@ymail.com; mohetabuti@gmail.com; Buti.moheta@gmail.com; moiloag24@gmail.com; motlhabane@gmail.com; motsamaib@nmmdm.gov.za; Mulalo Sundani <msundani@dffe.gov.za>; nel.1305@yahoo.com; nicolene@savannahsa.com; odendaalbraaikukens@gmail.com; odendaalbraaikukens@gmail.com; Pieter.Swart@dmr.gov.za; Ipeleng.Wesi@dmr.gov.za; P. Krisjan <PKrisjan@nwpg.gov.za>; pulejack@gmail.com; pulenyane@nmmdm.gov.za; raatom@gmail.com; rataus@dws.gov.za; rlebu4139@gmail.com; sambulom@nda.agric.za; SelekaneP@daff.gov.za; Seoka Lekota <SLEKOTA@dffe.gov.za>; BC Admin <bcadmin@dffe.gov.za>; tboshoff@nwpg.gov.za; tiaan6402@gmail.com; Tsholofelo.dinaane99@yahoo.com; vanniekerkgiet@ditsobotla.gov.za; wanda@agrinw.co.za; wanda@agrinw.co.za; wanda@agrinw.co.za; wanda@agrinw.co.za; wanda@agrinw.co.za; wessels@nwiso.co.za; wessels@nwiso.co.za; wessels@nwiso.co.za; oskosana@nwpg.gov.za

Subject: NOTIFICATION OF AVAILABILITY OF DRAFT SCOPING REPORT FOR THE PROPOSED ARISTIDA AND THEMEDA PV PORTION 7 OF THE FARM ELANDSFONTEIN 34

Dear Potential Interested and Affected Party

NOTIFICATION OF AVAILABILITY OF DRAFT SCOPING REPORT FOR THE PROPOSED ARISTIDA PV AND THEMEDA PV ON PORTION 7 OF THE FARM ELANDSFONTEIN 34 SITUATED NEAR LICHTENBURG, IN THE DITSOBOTLA LOCAL MUNICIPALITY OF THE NORTH-WEST PROVINCE.

DFFE Reference No. : 2022-01-0010 (Pre-Application Reference Number)
DFFE Case Officer: : Ms Julliet Mahlangu

Kindly find the attached notification regarding the availability of the Draft Scoping Report for the proposed Aristida PV and Themeda PV facilities on Portions 7 of the Farm Elandsfontein 34 near Lichtenburg in the Northwest Province.

You are hereby notified that the Draft Scoping Report (SR) is available for review and comment until **26 April 2022**.

Please note, that other than the Cape EAPrac website, the Draft Scoping Reports and all appendices are also available on the dedicated download link below.

<https://www.dropbox.com/scl/fo/svp6n78ckj6xx7uafo22g/h?dl=0&rlkey=x02jif0cshzmo505cz5e7uikk>

Should you not be able to access the digital platforms above, please contact Cape EAPrac on the contact details below and we will arrange an alternative mechanism of providing access to the report.

Please contact the undersigned, should you have any further queries in this regard.

Sincerely,

Dale Holder | 082 448 9225
SENIOR CONSULTANT | ECO | GIS
Ndip Nat. Con. (Pretoria Tech)

T: 044 874 0365
F: 044 874 0432
17 Progress Street, George
P O Box 2070, George 6530



Please Note: When registering as an Interested and Affected Party (I&AP), you consent to the lawful processing of personal information for the intended purposes, as described by the Protection of Personal Information Act, 2013 (Act no. 4 of 2013). Your information will be used for this project, including the initial application as well as subsequent related appeals, amendments or audits, or any future project where you are identified as an I&AP. You also agree that by submitting comment to inform this process, your contact details will, where required by a public body, be reflected in our regulated reports that must be compiled and submitted to the general public, registered stakeholders, organs of state as well as the competent authority for consideration and decision-making.

Kindly view our Privacy Statement for more information.

Dale Holder

From: John Geeringh <GeerinJH@eskom.co.za>
Sent: Monday, 11 April 2022 14:43
To: Dale Holder
Subject: RE: NOTIFICATION OF AVAILABILITY OF DRAFT SCOPING REPORT FOR THE PROPOSED ARISTIDA AND THEMEDA PV PORTION 7 OF THE FARM ELANDSFONTEIN 34
Attachments: Eskom requirements for work in or near Eskom servitudes.doc; Renewable Energy Generation Plant Setbacks to Eskom Infrastructure Rev2 - signed.pdf

Please send me KMZ files of the proposed development and grid connection. Please find attached Eskom requirements for works at or near Eskom servitudes and infrastructure, as well as the Eskom setbacks guideline for renewable energy developments.

Kind regards

John Geeringh (Pr Sci Nat) Reg. EAP (EAPASA)
Senior Consultant Environmental Management
Grid Planning: Land and Rights
Eskom Transmission Division
Megawatt Park, D1Y42, Maxwell Drive, Sunninghill, Sandton.
P O Box 1091, Johannesburg, 2000.
Tel: 011 516 7233
Cell: 083 632 7663
Fax: 086 661 4064
E-mail: john.geeringh@eskom.co.za

From: Dale Holder <dale@cape-eaprac.co.za>
Sent: Friday, 25 March 2022 13:20
To: andre.duplessis@misa.gov.za; artshabadira@gmail.com; boikanyo0515@gmail.com; CherityG@daff.gov.za; chrisduplessis@nwisp.co.za; CWessels@nwpg.gov.za; david.nunez@siriuspower.co.za; digiteltech@webmail.co.za; drferdi@denand.co.za; ebvanwyk@gmail.com; energy@birdlife.org.za; John Geeringh <GeerinJH@eskom.co.za>; henrynel@telkomsa.net; isetshoane@environment.gov.za; ivy@nwisp.co.za; jacovennas@gmail.com; janse@agrisa.co.za; Kgalamothibedi@gmail.com; kgalamothibedi@gmail.com; kinglebogangmongale04@gmail.com; leeubos@gmail.com; letlhakujay@gmail.com; letlhakujonas@gmail.com; louisavd@nwisp.co.za; M2Kscons@gmail.com; mabuzap@dws.gov.za; mariette@pea.org.za; marlize@agrinw.co.za; mashuduma@daff.gov.za; mbengoc@nmmdm.gov.za; mbengoc@nmmdm.gov.za; mddikoko@gmail.com; metswamere@ymail.com; mohetabuti@gmail.com; Buti.moheta@gmail.com; moiloag24@gmail.com; motlhabane@gmail.com; motsamaib@nmmdm.gov.za; msundani@environment.gov.za; nel.1305@yahoo.com; Nicolene Venter <nicolene@savannahsa.com>; odendaalbraaikuiakens@gmail.com; odendaalbraaikuiakens@gmail.com; Pieter.Swart@dmr.gov.za; lpeleng.Wesi@dmr.gov.za; Pkrisjan@nwpg.gov.za; pulejack@gmail.com; pulenyanek@nmmdm.gov.za; raatom@gmail.com; rataus@dws.gov.za; rlebu4139@gmail.com; sambulom@nda.agric.za; Sele KaneP@daff.gov.za; slekota@environment.gov.za; BCAdmin@environment.gov.za; tboshoff@nwpg.gov.za; tiaan6402@gmail.com; Tsholofelo.dinaane99@yahoo.com; vanniekerkgiet@mitsobotla.gov.za; wanda@agrinw.co.za; wanda@agrinw.co.za; wanda@agrinw.co.za; wanda@agrinw.co.za; wanda@agrinw.co.za; wanda@agrinw.co.za; wessels@nwis.co.za; wessels@nwis.co.za; wessels@nwis.co.za; oskosana@nwpg.gov.za
Subject: [CAUTION:EXTERNAL EMAIL] - NOTIFICATION OF AVAILABILITY OF DRAFT SCOPING REPORT FOR THE PROPOSED ARISTIDA AND THEMEDA PV PORTION 7 OF THE FARM ELANDSFONTEIN 34

Dear Potential Interested and Affected Party

NOTIFICATION OF AVAILABILITY OF DRAFT SCOPING REPORT FOR THE PROPOSED ARISTIDA PV AND THEMEDA PV ON PORTION 7 OF THE FARM ELANDSFONTEIN 34 SITUATED NEAR LICHTENBURG, IN THE DITSBOTLA LOCAL MUNICIPALITY OF THE NORTH-WEST PROVINCE.

DFFE Reference No. : 2022-01-0010 (Pre-Application Reference Number)
DFFE Case Officer : Ms Julliet Mahlangu

Kindly find the attached notification regarding the availability of the Draft Scoping Report for the proposed Aristida PV and Themeda PV facilities on Portions 7 of the Farm Elandsfontein 34 near Lichtenburg in the Northwest Province.

You are hereby notified that the Draft Scoping Report (SR) is available for review and comment until **26 April 2022**.

Please note, that other than the Cape EAPrac website, the Draft Scoping Reports and all appendices are also available on the dedicated download link below.

<https://www.dropbox.com/scl/fo/svp6n78ckj6xx7uafo22g/h?dl=0&rlkey=x02jif0cshzmo505cz5e7uikk>

Should you not be able to access the digital platforms above, please contact Cape EAPrac on the contact details below and we will arrange an alternative mechanism of providing access to the report.

Please contact the undersigned, should you have any further queries in this regard.

Sincerely,

Dale Holder | 082 448 9225
SENIOR CONSULTANT | ECO | GIS
Ndip Nat. Con. (Pretoria Tech)

T: 044 874 0365
F: 044 874 0432
17 Progress Street, George
P O Box 2070, George 6530



Please Note: When registering as an Interested and Affected Party (I&AP), you consent to the lawful processing of personal information for the intended purposes, as described by the Protection of Personal Information Act, 2013 (Act no. 4 of 2013). Your information will be used for this project, including the initial application as well as subsequent related appeals, amendments or audits, or any future project where you are identified as an I&AP. You also agree that by submitting comment to inform this process, your contact details will, where required by a public body, be reflected in our regulated reports that must be compiled and submitted to the general public, registered stakeholders, organs of state as well as the competent authority for consideration and decision-making.

Kindly view our Privacy Statement for more information.

NB: This Email and its contents are subject to the Eskom Holdings SOC Ltd EMAIL LEGAL NOTICE which can be viewed at http://www.eskom.co.za/Pages/Email_Legal_Spam_Disclaimer.aspx

TO WHOM IT MAY CONCERN

Eskom requirements for work in or near Eskom servitudes.

1. Eskom's rights and services must be acknowledged and respected at all times.
2. Eskom shall at all times retain unobstructed access to and egress from its servitudes.
3. Eskom's consent does not relieve the developer from obtaining the necessary statutory, land owner or municipal approvals.
4. Any cost incurred by Eskom as a result of non-compliance to any relevant environmental legislation will be charged to the developer.
5. If Eskom has to incur any expenditure in order to comply with statutory clearances or other regulations as a result of the developer's activities or because of the presence of his equipment or installation within the servitude restriction area, the developer shall pay such costs to Eskom on demand.
6. The use of explosives of any type within 500 metres of Eskom's services shall only occur with Eskom's previous written permission. If such permission is granted the developer must give at least fourteen working days prior notice of the commencement of blasting. This allows time for arrangements to be made for supervision and/or precautionary instructions to be issued in terms of the blasting process. It is advisable to make application separately in this regard.
7. Changes in ground level may not infringe statutory ground to conductor clearances or statutory visibility clearances. After any changes in ground level, the surface shall be rehabilitated and stabilised so as to prevent erosion. The measures taken shall be to Eskom's satisfaction.
8. Eskom shall not be liable for the death of or injury to any person or for the loss of or damage to any property whether as a result of the encroachment or of the use of the servitude area by the developer, his/her agent, contractors, employees, successors in title, and assignees. The developer indemnifies Eskom against loss, claims or damages including claims pertaining to consequential damages by third parties and whether as a result of damage to or interruption of or interference with Eskom's services or apparatus or otherwise. Eskom will not be held responsible for damage to the developer's equipment.
9. No mechanical equipment, including mechanical excavators or high lifting machinery, shall be used in the vicinity of Eskom's apparatus and/or services, without prior written permission having been granted by Eskom. If such permission is granted the developer must give at least seven working days' notice prior to the commencement of work. This allows time for arrangements to be made for supervision and/or precautionary instructions to be issued by the relevant Eskom Manager

Note: Where and electrical outage is required, at least fourteen work days are required to arrange it.

10. Eskom's rights and duties in the servitude shall be accepted as having prior right at all times and shall not be obstructed or interfered with.
11. Under no circumstances shall rubble, earth or other material be dumped within the servitude restriction area. The developer shall maintain the area concerned to Eskom's satisfaction. The developer shall be liable to Eskom for the cost of any remedial action which has to be carried out by Eskom.
12. The clearances between Eskom's live electrical equipment and the proposed construction work shall be observed as stipulated by *Regulation 15 of the Electrical Machinery Regulations of the Occupational Health and Safety Act, 1993 (Act 85 of 1993)*.
13. Equipment shall be regarded electrically live and therefore dangerous at all times.
14. In spite of the restrictions stipulated by Regulation 15 of the Electrical Machinery Regulations of the Occupational Health and Safety Act, 1993 (Act 85 of 1993), as an additional safety precaution, Eskom will not approve the erection of houses, or structures occupied or frequented by human beings, under the power lines or within the servitude restriction area.
15. Eskom may stipulate any additional requirements to highlight any possible exposure to Customers or Public to coming into contact or be exposed to any dangers of Eskom plant.
16. It is required of the developer to familiarise himself with all safety hazards related to Electrical plant.
17. Any third party servitudes encroaching on Eskom servitudes shall be registered against Eskom's title deed at the developer's own cost. If such a servitude is brought into being, its existence should be endorsed on the Eskom servitude deed concerned, while the third party's servitude deed must also include the rights of the affected Eskom servitude.

John Geeringh (Pr Sci Nat)(EAPASA)
Senior Consultant Environmental Management
Eskom Transmission Division: Land & Rights
Megawatt Park, D1Y42, Maxwell Drive, Sunninghill, Sandton.
P O Box 1091, Johannesburg, 2000.
Tel: 011 516 7233
Cell: 083 632 7663
Fax: 086 661 4064
E-mail: john.geeringh@eskom.co.za

	SCOT	Technology
---	------	------------

Title: **Renewable Energy Generation Plant Setbacks to Eskom Infrastructure** Unique Identifier: **240-65559775**

Alternative Reference Number: N/A

Area of Applicability: **Power Line Engineering**


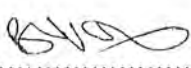
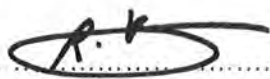
Documentation Type: **Guideline**

Revision: **2**

Total Pages: **9**

Next Review Date: **N/A**

Disclosure Classification: **CONTROLLED DISCLOSURE**

Compiled by	Approved by	Authorised by
		
J W Chetty Mechanical Engineer	B Ntshuntsha Chief Engineer (Lines)	R A Vajeth Snr Manager (Lines) and SCOT/SC/ Chairperson
Date: 15 / 09 / 2020	Date: 30/10/2020	Date: 30/10/2020

CONTENTS

	Page
EXECUTIVE SUMMARY	3
1. INTRODUCTION	4
2. SUPPORTING CLAUSES.....	4
2.1 SCOPE	4
2.1.1 Purpose	5
2.1.2 Applicability.....	5
2.2 NORMATIVE/INFORMATIVE REFERENCES	5
2.2.1 Normative	5
2.2.2 Informative.....	5
2.3 DEFINITIONS	6
2.3.1 Disclosure Classification	6
2.4 ABBREVIATIONS.....	6
2.5 ROLES AND RESPONSIBILITIES	6
2.6 PROCESS FOR MONITORING	6
2.7 RELATED/SUPPORTING DOCUMENTS.....	6
3. DOCUMENT CONTENT.....	6
3.1 INTERNATIONAL SETBACK COMPARISON	6
3.2 ESKOM REQUIRED SETBACKS	7
4. AUTHORISATION.....	9
5. REVISIONS	9
6. DEVELOPMENT TEAM	9

FIGURES

Figure 1: Horizontal Axis Wind Turbine	8
--	---

CONTROLLED DISCLOSURE

When downloaded from the EDMS, this document is uncontrolled and the responsibility rests with the user to ensure it is in line with the authorised version on the system.

EXECUTIVE SUMMARY

In recent decades, the use of wind turbines, concentrated solar plants and photovoltaic plants have been on the increase as it serves as an abundant source of energy. This document specifies proposed setbacks for wind turbines and the reasons for these setbacks from infrastructure as well as setbacks for concentrated solar plants and photovoltaic plants. Setbacks for wind turbines employed in other countries were compared and a general setback to be used by Eskom was suggested for use with wind turbines and other renewable energy generation plants.

CONTROLLED DISCLOSURE

When downloaded from the EDMS, this document is uncontrolled and the responsibility rests with the user to ensure it is in line with the authorised version on the system.

1. INTRODUCTION

During the last few decades, a large amount of wind turbines have been installed in wind farms to accommodate for the large demand of energy and depleting fossil fuels. Wind is one of the most abundant sources of renewable energy. Wind turbines harness the energy of this renewable resource for integration in electricity networks. The extraction of wind energy is its primary function and thus the aerodynamics of the wind turbine is important. There are many different types of wind turbines which will all exhibit different wind flow characteristics. The most common wind turbine used commercially is the Horizontal Axis Wind Turbine. Wind flow characteristics of this turbine are important to analyse as it may have an effect on surrounding infrastructure.

Wind turbines also cause large turbulence downwind that may affect existing infrastructure. Debris or parts of the turbine blade, in the case of a failure, may be tossed behind the turbine and may lead to damage of infrastructure in the wake path.

This document outlines the minimum distances that need to be introduced between a wind turbine and Eskom infrastructure to ensure that debris and / or turbulence would not negatively impact on the infrastructure and future expansion of infrastructure (lines and substation) as per the long term planning scenario.

Safety distances of wind turbines from other structures as implemented by other countries were also considered and the reasons for their selection were noted. All renewable energy developments are approved by The Department of Environmental Affairs, Forestry and Fisheries (DEFF) in terms of NEMA. The DEFF is aware of the setbacks guideline, however they cannot use it in terms of decision making since the setbacks document has no legal standing in SA and it would be outside of their mandate who have been advised to follow the guidelines herein.

Concentrated solar plants and photovoltaic plants setbacks away from substations were also to be considered to prevent restricting possible power line access routes to the substation and possible expansion of substations.

2. SUPPORTING CLAUSES

2.1 SCOPE

This document provides guidance on the safe distance that a wind turbine should be located from any Eskom power line or substation. Although it is not based on any legislative requirement, it is deemed important that Eskom's infrastructure and future network expansion planning is not impeded. The document specifies proposed setback distances for transmission lines (220 kV to 765 kV), distribution lines

CONTROLLED DISCLOSURE

When downloaded from the EDMS, this document is uncontrolled and the responsibility rests with the user to ensure it is in line with the authorised version on the system.

(66 kV to 132 kV) and all Eskom substations. Proposed setbacks for concentrated solar plants and photovoltaic plants are also specified away from substations.

2.1.1 Purpose

Setbacks for wind turbines and power lines / substations are required for various reasons. These include possible catastrophic failure of the turbine blade that may release fragments and which may be thrown onto nearby power lines that may result in damage with associated unplanned outages. Turbulence behind the turbine may affect helicopter flight during routine Eskom live line maintenance and inspections that may lead to safety risk of the aircraft / personnel. Concentrated solar plants and photovoltaic plants setback away from substations were required to prevent substations from being boxed in by these renewable generation plants limiting line route access to the substations and possible future substation expansion.

2.1.2 Applicability

This document is applicable to the siting of all new and existing wind turbines, concentrated solar plants and photovoltaic plants near power lines and substations and in line of site between Eskom telecommunication infrastructure, including future Eskom renewable energy development.

2.2 NORMATIVE/INFORMATIVE REFERENCES

2.2.1 Normative

1. <http://www.envir.ee/orb.aw/class=file/action=preview/id=1170403/Hiiumaa+turbulence+impact+EMD.pdf>.
2. <http://www.energy.ca.gov/2005publications/CEC-500-2005-184/CEC-500-2005-184.PDF>
3. <http://www.adamscountywind.com/Revised%20Site/Windmills/Adams%20County%20Ordinance/Adams%20County%20Wind%20Ord.htm>
4. http://www.dsireusa.org/incentives/incentive.cfm?Incentive_Code=PA11R&RE=1&EE=1
5. <http://www.wind-watch.org/documents/european-setbacks-minimum-distance-between-wind-turbines-and-habitations/>
6. <http://www.publications.parliament.uk/pa/ld201011/ldbills/017/11017.1-i.html>
7. http://www.caw.ca/assets/pdf/Turbine_Safety_Report.pdf
8. Rogers J, Slegers N, Costello M. (2011) A method for defining wind turbine setback standards. Wind energy 10.1002/we.468

2.2.2 Informative

None

CONTROLLED DISCLOSURE

When downloaded from the EDMS, this document is uncontrolled and the responsibility rests with the user to ensure it is in line with the authorised version on the system.

2.3 DEFINITIONS

Definition	Description
Setback	The minimum distance between a wind turbine and boundary line/dwelling/road/infrastructure/servitude etc.
Flicker	Effect caused when rotating wind turbine blades periodically cast shadows
Tip Height	The total height of the wind turbine ie. Hub height plus half rotor diameter (see Figure1)

2.3.1 Disclosure Classification

Controlled disclosure: controlled disclosure to external parties (either enforced by law, or discretionary).

2.4 ABBREVIATIONS

Abbreviation	Description
None	

2.5 ROLES AND RESPONSIBILITIES

All parties involved in the positioning wind turbines, concentrated solar plants and photovoltaic plants near power lines/substations should endeavour to follow the setbacks outlined in this guideline.

2.6 PROCESS FOR MONITORING

Agreement by Eskom in writing on any encroachment of the setbacks distance should be requested via the Grid Access Unit. Eskom should ensure that every application for renewable energy (RE) developments are informed about the existence of the setbacks document early in the RE planning process to ensure maximum effect. This includes Eskom RE development.

2.7 RELATED/SUPPORTING DOCUMENTS

None

3. DOCUMENT CONTENT

3.1 INTERNATIONAL SETBACK COMPARISON

Wind Turbine setbacks employed by various countries were considered. It was found that setbacks were determined for various reasons that include noise, flicker, turbine blade failure and wind effects as well as

CONTROLLED DISCLOSURE

When downloaded from the EDMS, this document is uncontrolled and the responsibility rests with the user to ensure it is in line with the authorised version on the system.

future network expansion planning. The distances (setbacks) varied based on these factors and were influenced by the type of infrastructure

Wind turbine setbacks varied for roads, power lines, dwellings, buildings and property and it was noted that the largest setbacks were employed for reasons of noise and flicker related issues [1-7]. Very few countries specified setbacks for power lines.

The literature survey [1-7], yielded information about studies and experiments were conducted to determine the distance that a broken fragment from a wind turbine might be thrown. Even though of low probability of hitting a power line [5.0×10^{-5}]^[8], the distances recorded were significant [750m^[8]]

Wind turbines may also cause changes in wind patterns with turbulent effects behind the hub. These factors influence the wind turbine setbacks specified in this document.

Setbacks were thus introduced to prevent any damage to Eskom infrastructure and impedence to operation and future network expansion planning.

Renewable energy plant can also limit access into substations for power lines of all voltages. A setback distance should therefore be employed to prevent substations from being boxed in by these generation plants and preventing future network expansion. These setback distances are specified in this document.

3.2 ESKOM RECOMMENDED SETBACKS

Any renewable energy applicant should engage with Eskom to determine if their plant layout or positioning of turbines, CSP or PV infrastructure would encroach on the proposed setbacks provided for in this guideline and to ensure that their planning and Eskom's future expansion planning is taken into account. Eskom must inform all renewable energy developers, including Eskom RE, of the existence of the setbacks guideline early in the development process. Should there be an encroachment, a formal request should be sent to and accepted by Eskom in writing if any of the below mentioned setback distances are infringed upon:

- Eskom requests a setback distance of 3 times the tip height of the wind turbine from the edge of the closest Eskom servitude (including vacant servitudes) for transmission lines (220kV to 765kV) and Substations.
- Eskom requests a setback distance of 1 times the tip height of the wind turbine from the edge of the closest Eskom servitude (including vacant servitudes) for distribution lines (66 kV to 132 kV) and Substations.

CONTROLLED DISCLOSURE

When downloaded from the EDMS, this document is uncontrolled and the responsibility rests with the user to ensure it is in line with the authorised version on the system.

- A written request should be sent to Eskom via the Grid Access Unit regarding any proposed wind turbine, concentrated solar plants and photovoltaic activity within a 5 km radius of a substation for Eskom to comment on.
- Where concentrated solar plants, photovoltaic structures, battery storage systems (BESS) and other renewable generation plants fall within a 2 km radius of the closest point of a transmission or distribution substation (66kV to 765kV), a written agreement with Eskom is recommended during the planning phase of such plant or structures to ensure Eskom's future planning is not impeded.
- Applicants should not position any wind turbine in the line of site between and two Eskom Radio Telecommunication masts. It should be proven that Eskom radio telecommunication systems (mainly microwave systems) will not be affected in any way by wind turbines due to the criticality of this infrastructure in terms of network operation. Eskom Telecommunications should be engaged on this matter.
- If the position or size of any turbine changes and subsequently infringes on any of the above stated setbacks, a request for relaxation must be sent through to Eskom as per the point mentioned above.

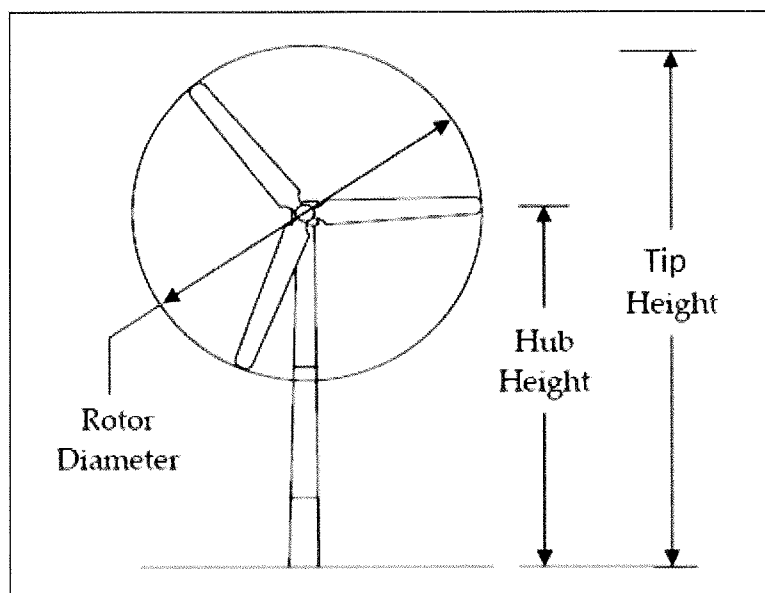


Figure 1: Horizontal Axis Wind Turbine ^[2]

CONTROLLED DISCLOSURE

When downloaded from the EDMS, this document is uncontrolled and the responsibility rests with the user to ensure it is in line with the authorised version on the system.

4. AUTHORISATION

This document has been seen and accepted by:

Name & Surname	Designation
V Naidoo	Chief Engineer
Dr P Pretorius	Electrical Specialist
J Geeringh	Snr Consultant Environ Mngt
B Haridass	Snr Consultant Engineer
B Ntshuntsha	Chief Engineer
R Vajeth	Snr Manager (Lines)
D A Tunnicliff	Snr Manager L&R (Acting)
B Branfield	Snr Consultant Engineer

5. REVISIONS

Date	Rev.	Compiler	Remarks
November 2013	0	J W Chetty	First Publication - No renewable energy generation plant setback specification in existence.
October 2018	1	JW Chetty	Modification to sub-section 3.2 to provide more clarity for application procedure.
June 2020	2	JW Chetty	Content within the guideline was re-worded to explain the benefits of mutual agreements between the applicants and ESKOM rather than the application being a legal obligation.

6. DEVELOPMENT TEAM

The following people were involved in the development of this document:

Jonathan Chetty (Mechanical Engineer)
Vivendhra Naidoo (Chief Engineer)
Dr Pieter Pretorius (Electrical Specialist)
John Geeringh (Snr Consultant Environ Mngt)
Bharat Haridass (Snr Consultant Engineer)
Riaz Vajeth (Snr Manager (Lines))
Bruce Ntshuntsha (Chief Engineer)
David Tunnicliff (Snr Manager L&R Acting)

CONTROLLED DISCLOSURE

When downloaded from the EDMS, this document is uncontrolled and the responsibility rests with the user to ensure it is in line with the authorised version on the system.

Dale Holder

From: Dale Holder
Sent: Monday, 11 April 2022 20:35
To: John Geeringh
Subject: RE: NOTIFICATION OF AVAILABILITY OF DRAFT SCOPING REPORT FOR THE PROPOSED ARISTIDA AND THEMEDA PV PORTION 7 OF THE FARM ELANDSFONTEIN 34
Attachments: Elandsfontein Development Areas (final for DSR).kmz

Dear John

Thank you for your comment. I will include the Eskom requirements for works at or near Eskom servitudes and infrastructure, as well as the Eskom setbacks guideline for renewable energy developments into the EMPr.

Please find the attached KMZ of the development Areas as well as the proposed grid connection.

Best Regards,

Best Regards,

Dale Holder | 082 448 9225
SENIOR CONSULTANT | ECO | GIS
Ndip Nat. Con. (Pretoria Tech)

T: 044 874 0365
F: 044 874 0432
17 Progress Street, George
PO Box 2070, George 6530



Please Note: When registering as an Interested and Affected Party (I&AP), you consent to the lawful processing of personal information for the intended purposes, as described by the Protection of Personal Information Act, 2013 (Act no. 4 of 2013). Your information will be used for this project, including the initial application as well as subsequent related appeals, amendments or audits, or any future project where you are identified as an I&AP. You also agree that by submitting comment to inform this process, your contact details will, where required by a public body, be reflected in our regulated reports that must be compiled and submitted to the general public, registered stakeholders, organs of state as well as the competent authority for consideration and decision-making.

Kindly view our Privacy Statement for more information.

From: John Geeringh <GeerinJH@eskom.co.za>
Sent: Monday, 11 April 2022 14:43
To: Dale Holder <dale@cape-eaprac.co.za>
Subject: RE: NOTIFICATION OF AVAILABILITY OF DRAFT SCOPING REPORT FOR THE PROPOSED ARISTIDA AND THEMEDA PV PORTION 7 OF THE FARM ELANDSFONTEIN 34

Please send me KMZ files of the proposed development and grid connection. Please find attached Eskom requirements for works at or near Eskom servitudes and infrastructure, as well as the Eskom setbacks guideline for renewable energy developments.

Kind regards

John Geeringh (Pr Sci Nat) Reg. EAP (EAPASA)
Senior Consultant Environmental Management

Grid Planning: Land and Rights
Eskom Transmission Division
Megawatt Park, D1Y42, Maxwell Drive, Sunninghill, Sandton.
P O Box 1091, Johannesburg, 2000.
Tel: 011 516 7233
Cell: 083 632 7663
Fax: 086 661 4064
E-mail: john.geeringh@eskom.co.za

From: Dale Holder <dale@cape-eaprac.co.za>

Sent: Friday, 25 March 2022 13:20

To: andre.duplessis@misa.gov.za; artshabadira@gmail.com; boikanyo0515@gmail.com; CherityG@daff.gov.za; chriduplessis@nwisp.co.za; CWessels@nwpg.gov.za; david.nunez@siriuspower.co.za; digiteltech@webmail.co.za; drferdi@denand.co.za; ebvanwyk@gmail.com; energy@birdlife.org.za; John Geeringh <GeerinJH@eskom.co.za>; henrynel@telkomsa.net; isetshoane@environment.gov.za; ivy@nwisp.co.za; jacovennas@gmail.com; janse@agrisa.co.za; Kgalamothibedi@gmail.com; kgalamothibedi@gmail.com; kinglebogangmongale04@gmail.com; leeubos@gmail.com; letlhakujay@gmail.com; letlhakujonas@gmail.com; louisavd@nwisp.co.za; M2Kscons@gmail.com; mabuzap@dws.gov.za; mariette@pea.org.za; marlize@agrinw.co.za; mashuduma@daff.gov.za; mbengoc@nmmdm.gov.za; mbengoc@nmmdm.gov.za; mddikoko@gmail.com; metswamere@ymail.com; mohetabuti@gmail.com; Buti.moheta@gmail.com; moiloag24@gmail.com; motlhabane@gmail.com; motsamaib@nmmdm.gov.za; msundani@environment.gov.za; nel.1305@yahoo.com; Nicolene Venter <nicolene@savannahsa.com>; odendaalbraaikuikens@gmail.com; odendaalbraaikuikens@gmail.com; Pieter.Swart@dmr.gov.za; lpeleng.Wesi@dmr.gov.za; Pkrisian@nwpg.gov.za; pulejack@gmail.com; pulenyane@nmmdm.gov.za; raatom@gmail.com; rataus@dws.gov.za; rlebu4139@gmail.com; sambulom@nda.agric.za; SelekaneP@daff.gov.za; slekota@environment.gov.za; BCAdmin@environment.gov.za; tboshoff@nwpg.gov.za; tiaan6402@gmail.com; Tsholofelo.dinaane99@yahoo.com; vanniekerkgiet@ditsobotla.gov.za; wanda@agrinw.co.za; wanda@agrinw.co.za; wanda@agrinw.co.za; wanda@agrinw.co.za; wanda@agrinw.co.za; wessels@nwiso.co.za; wessels@nwiso.co.za; wessels@nwiso.co.za; oskosana@nwpg.gov.za

Subject: [CAUTION:EXTERNAL EMAIL] - NOTIFICATION OF AVAILABILITY OF DRAFT SCOPING REPORT FOR THE PROPOSED ARISTIDA AND THEMEDA PV PORTION 7 OF THE FARM ELANDSFONTEIN 34

Dear Potential Interested and Affected Party

NOTIFICATION OF AVAILABILITY OF DRAFT SCOPING REPORT FOR THE PROPOSED ARISTIDA PV AND THEMEDA PV ON PORTION 7 OF THE FARM ELANDSFONTEIN 34 SITUATED NEAR LICHTENBURG, IN THE DITSOBOTLA LOCAL MUNICIPALITY OF THE NORTH-WEST PROVINCE.

DFFE Reference No. : 2022-01-0010 (Pre-Application Reference Number)
DFFE Case Officer : Ms Julliet Mahlangu

Kindly find the attached notification regarding the availability of the Draft Scoping Report for the proposed Aristida PV and Themeda PV facilities on Portions 7 of the Farm Elandsfontein 34 near Lichtenburg in the Northwest Province.

You are hereby notified that the Draft Scoping Report (SR) is available for review and comment until **26 April 2022**.

Please note, that other than the Cape EAPrac website, the Draft Scoping Reports and all appendices are also available on the dedicated download link below.

<https://www.dropbox.com/scl/fo/svp6n78ckj6xx7uaf022g/h?dl=0&rlkey=x02jif0cshzmo505cz5e7uikk>

Should you not be able to access the digital platforms above, please contact Cape EAPrac on the contact details below and we will arrange an alternative mechanism of providing access to the report.

Please contact the undersigned, should you have any further queries in this regard.

Sincerely,

Dale Holder | 082 448 9225
SENIOR CONSULTANT | ECO | GIS
Ndip Nat. Con. (Pretoria Tech)

T: 044 874 0365
F: 044 874 0432
17 Progress Street, George
P O Box 2070, George 6530



Please Note: When registering as an Interested and Affected Party (I&AP), you consent to the lawful processing of personal information for the intended purposes, as described by the Protection of Personal Information Act, 2013 (Act no. 4 of 2013). Your information will be used for this project, including the initial application as well as subsequent related appeals, amendments or audits, or any future project where you are identified as an I&AP. You also agree that by submitting comment to inform this process, your contact details will, where required by a public body, be reflected in our regulated reports that must be compiled and submitted to the general public, registered stakeholders, organs of state as well as the competent authority for consideration and decision-making.

Kindly view our Privacy Statement for more information.

NB: This Email and its contents are subject to the Eskom Holdings SOC Ltd EMAIL LEGAL NOTICE which can be viewed at http://www.eskom.co.za/Pages/Email_Legal_Spam_Disclaimer.aspx

Dale Holder

From: MMatlala Rabothata <MRABOTHATA@dffe.gov.za>
Sent: Wednesday, 20 April 2022 14:25
To: Dale Holder
Subject: FW: NOTIFICATION OF AVAILABILITY OF DRAFT SCOPING REPORT FOR THE PROPOSED ARISTIDA AND THEMEDA PV PORTION 7 OF THE FARM ELANDSFONTEIN 34
Attachments: DIT725.10 Notification of DSR Elandsfontein.pdf

Dear Dale,

Kindly send me an alternative link preferably We Transfer to access the reports. Unfortunately drop boxes are not accessible from our side.

Your response will be much appreciated.

Regards,
Ms Rabothata

From: BC Admin <bcadmin@dffe.gov.za>
Sent: Friday, 25 March 2022 13:56
To: MMatlala Rabothata <MRABOTHATA@dffe.gov.za>; Tsholofelo Shalot Sekonko <tsekonko@dffe.gov.za>
Subject: FW: NOTIFICATION OF AVAILABILITY OF DRAFT SCOPING REPORT FOR THE PROPOSED ARISTIDA AND THEMEDA PV PORTION 7 OF THE FARM ELANDSFONTEIN 34

Good day colleagues,

Kindly note that this project is assigned to you.

Kind Regards,
Biodiversity Conservation, Mainstreaming EIA (Admin)
Department of Forestry, Fisheries and the Environment
Environment House
473 Steve Biko and Soutpansberg Streets
PRETORIA
E-mail: bcadmin@dffe.gov.za
Call Centre: 086 111 2468



From: Dale Holder [<mailto:dale@cape-eaprac.co.za>]
Sent: Friday, 25 March 2022 13:20
To: andre.duplessis@misa.gov.za; artshabadira@gmail.com; boikanyo0515@gmail.com; CherityG@daff.gov.za; chrisduplessis@nwisp.co.za; cwessels@nwpg.gov.za; david.nunez@siriuspower.co.za; digiteltech@webmail.co.za; drferdi@denand.co.za; ebvanwyk@gmail.com; energy@birdlife.org.za; GeerinJH@eskom.co.za; henrynel@telkomsa.net; Itumeleng Setshoane <isetshoane@dffe.gov.za>; ivy@nwisp.co.za; jacovennas@gmail.com; janse@agriska.co.za; Kgalamothibedi@gmail.com; kgalamothibedi@gmail.com; kinglebogangmongale04@gmail.com; leeubos@gmail.com; letlhakujay@gmail.com; letlhakujonas@gmail.com; louisavd@nwisp.co.za; M2Kscons@gmail.com; mabuzap@dws.gov.za; mariette@pea.org.za; marlize@agrinw.co.za; mashuduma@daff.gov.za; mbengoc@nmmdm.gov.za;

mbengoc@nmmdm.gov.za; mddikoko@gmail.com; metswamere@ymail.com; mohetabuti@gmail.com; Buti.moheta@gmail.com; moiloag24@gmail.com; motlhabane@gmail.com; motsamaib@nmmdm.gov.za; Mulalo Sundani <msundani@dffe.gov.za>; nel.1305@yahoo.com; nicolene@savannahsa.com; odendaalbraaikuikens@gmail.com; odendaalbraaikuikens@gmail.com; Pieter.Swart@dmr.gov.za; lpeleng.Wesi@dmr.gov.za; P. Krisjan <PKrisjan@nwpg.gov.za>; pulejack@gmail.com; pulenyane@nmmdm.gov.za; raatom@gmail.com; rataus@dws.gov.za; rlebu4139@gmail.com; sambulom@nda.agric.za; SelekaneP@daff.gov.za; Seoka Lekota <SLEKOTA@dffe.gov.za>; BC Admin <bcadmin@dffe.gov.za>; tboshoff@nwpg.gov.za; tiaan6402@gmail.com; Tsholofelo.dinaane99@yahoo.com; vanniekerkgiet@mitsobotla.gov.za; wanda@agrinw.co.za; wanda@agrinw.co.za; wanda@agrinw.co.za; wanda@agrinw.co.za; wanda@agrinw.co.za; wessels@nwis.co.za; wessels@nwis.co.za; wessels@nwis.co.za; oskosana@nwpg.gov.za

Subject: NOTIFICATION OF AVAILABILITY OF DRAFT SCOPING REPORT FOR THE PROPOSED ARISTIDA AND THEMEDA PV PORTION 7 OF THE FARM ELANDSFONTEIN 34

Dear Potential Interested and Affected Party

NOTIFICATION OF AVAILABILITY OF DRAFT SCOPING REPORT FOR THE PROPOSED ARISTIDA PV AND THEMEDA PV ON PORTION 7 OF THE FARM ELANDSFONTEIN 34 SITUATED NEAR LICHTENBURG, IN THE DITSBOTLA LOCAL MUNICIPALITY OF THE NORTH-WEST PROVINCE.

DFFE Reference No. : 2022-01-0010 (Pre-Application Reference Number)
DFFE Case Officer: : Ms Julliet Mahlangu

Kindly find the attached notification regarding the availability of the Draft Scoping Report for the proposed Aristida PV and Themeda PV facilities on Portions 7 of the Farm Elandsfontein 34 near Lichtenburg in the Northwest Province.

You are hereby notified that the Draft Scoping Report (SR) is available for review and comment until **26 April 2022**.

Please note, that other than the Cape EAPrac website, the Draft Scoping Reports and all appendices are also available on the dedicated download link below.

<https://www.dropbox.com/scl/fo/svp6n78ckj6xx7uafo22g/h?dl=0&rlkey=x02jif0cshzmo505cz5e7uikk>

Should you not be able to access the digital platforms above, please contact Cape EAPrac on the contact details below and we will arrange an alternative mechanism of providing access to the report.

Please contact the undersigned, should you have any further queries in this regard.

Sincerely,

Dale Holder | 082 448 9225
SENIOR CONSULTANT | ECO | GIS
Ndip Nat. Con. (Pretoria Tech)

T: 044 874 0365
F: 044 874 0432
17 Progress Street, George
P O Box 2070, George 6530



Please Note: When registering as an Interested and Affected Party (I&AP), you consent to the lawful processing of personal information for the intended purposes, as described by the Protection of Personal Information Act, 2013 (Act no. 4 of 2013). Your information will be used for this project, including the initial application as well as subsequent related appeals, amendments or audits, or any future project where you are identified as an I&AP. You also agree that by submitting comment to inform this process, your contact details will, where required by a public body, be reflected in our regulated reports that must be compiled and submitted to the general public, registered stakeholders, organs of state as well as the competent authority for consideration and decision-making.

Kindly view our Privacy Statement for more information.

Dale Holder

From: Dale Holder
Sent: Wednesday, 20 April 2022 14:45
To: MMatlala Rabothata
Subject: RE: NOTIFICATION OF AVAILABILITY OF DRAFT SCOPING REPORT FOR THE PROPOSED ARISTIDA AND THEMEDA PV PORTION 7 OF THE FARM ELANDSFONTEIN 34

Hi Mmatlala

Below is the we Transfer Link for Aristida PV
<https://we.tl/t-7nw6WjppqF3>

and for Themeda PV
<https://we.tl/t-xOBdpmT59R>

Regards,

Dale

From: MMatlala Rabothata <MRABOTHATA@dffe.gov.za>
Sent: Wednesday, 20 April 2022 14:25
To: Dale Holder <dale@cape-eaprac.co.za>
Subject: FW: NOTIFICATION OF AVAILABILITY OF DRAFT SCOPING REPORT FOR THE PROPOSED ARISTIDA AND THEMEDA PV PORTION 7 OF THE FARM ELANDSFONTEIN 34

Dear Dale,

Kindly send me an alternative link preferably We Transfer to access the reports. Unfortunately drop boxes are not accessible from our side.

Your response will be much appreciated.
Regards,
Ms Rabothata

From: BC Admin <bcadmin@dffe.gov.za>
Sent: Friday, 25 March 2022 13:56
To: MMatlala Rabothata <MRABOTHATA@dffe.gov.za>; Tsholofelo Shalot Sekonko <tsekonko@dffe.gov.za>
Subject: FW: NOTIFICATION OF AVAILABILITY OF DRAFT SCOPING REPORT FOR THE PROPOSED ARISTIDA AND THEMEDA PV PORTION 7 OF THE FARM ELANDSFONTEIN 34

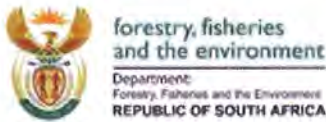
Good day colleagues,

Kindly note that this project is assigned to you.

Kind Regards,
Biodiversity Conservation, Mainstreaming EIA (Admin)
Department of Forestry, Fisheries and the Environment
Environment House
473 Steve Biko and Soutpansberg Streets
PRETORIA

E-mail: bcadmin@dffe.gov.za

Call Centre: 086 111 2468



From: Dale Holder [<mailto:dale@cape-eaprac.co.za>]

Sent: Friday, 25 March 2022 13:20

To: andre.duplessis@misa.gov.za; artshabadira@gmail.com; boikanyo0515@gmail.com; CherityG@daff.gov.za; chrisduplessis@nwisp.co.za; [cwessels <cwessels@nwpg.gov.za>](mailto:cwessels@nwpg.gov.za); david.nunez@siriuspower.co.za; digiteltech@webmail.co.za; drferdi@denand.co.za; ebvanwyk@gmail.com; energy@birdlife.org.za; GeerinJH@eskom.co.za; henrynel@telkomsa.net; Itumeleng Setshoane <isetshoane@dffe.gov.za>; ivy@nwisp.co.za; jacovennas@gmail.com; janse@agrisa.co.za; Kgalamothibedi@gmail.com; kgalamothibedi@gmail.com; kinglebogangmongale04@gmail.com; leeubos@gmail.com; letlhakujay@gmail.com; letlhakujonas@gmail.com; louisavd@nwisp.co.za; M2Kscons@gmail.com; mabuzap@dws.gov.za; mariette@pea.org.za; marlize@agrinw.co.za; mashuduma@daff.gov.za; mbengoc@nmmdm.gov.za; mbengoc@nmmdm.gov.za; mddikoko@gmail.com; metswamere@ymail.com; mohetabuti@gmail.com; Buti.moheta@gmail.com; moiloag24@gmail.com; motlhabane@gmail.com; motsamaib@nmmdm.gov.za; Mulalo Sundani <msundani@dffe.gov.za>; nel.1305@yahoo.com; nicolene@savannahsa.com; odendaalbraaikuiakens@gmail.com; odendaalbraaikuiakens@gmail.com; Pieter.Swart@dmr.gov.za; Ipeleng.Wesi@dmr.gov.za; P. Krisjan <PKrisjan@nwpg.gov.za>; pulejack@gmail.com; pulenyane@nmmdm.gov.za; raatom@gmail.com; rataus@dws.gov.za; rlebu4139@gmail.com; sambulom@nda.agric.za; SelekaneP@daff.gov.za; Seoka Lekota <SLEKOTA@dffe.gov.za>; BC Admin <bcadmin@dffe.gov.za>; tboshoff@nwpg.gov.za; tiaan6402@gmail.com; Tsholofelo.dinaane99@yahoo.com; vanniekerkgiet@mitsobotla.gov.za; wanda@agrinw.co.za; wanda@agrinw.co.za; wanda@agrinw.co.za; wanda@agrinw.co.za; wanda@agrinw.co.za; wessels@nwiso.co.za; wessels@nwiso.co.za; wessels@nwiso.co.za; oskosana@nwpg.gov.za

Subject: NOTIFICATION OF AVAILABILITY OF DRAFT SCOPING REPORT FOR THE PROPOSED ARISTIDA AND THEMEDA PV PORTION 7 OF THE FARM ELANDSFONTEIN 34

Dear Potential Interested and Affected Party

NOTIFICATION OF AVAILABILITY OF DRAFT SCOPING REPORT FOR THE PROPOSED ARISTIDA PV AND THEMEDA PV ON PORTION 7 OF THE FARM ELANDSFONTEIN 34 SITUATED NEAR LICHTENBURG, IN THE DITSBOTLA LOCAL MUNICIPALITY OF THE NORTH-WEST PROVINCE.

DFFE Reference No. : 2022-01-0010 (Pre-Application Reference Number)

DFFE Case Officer: : Ms Julliet Mahlangu

Kindly find the attached notification regarding the availability of the Draft Scoping Report for the proposed Aristida PV and Themeda PV facilities on Portions 7 of the Farm Elandsfontein 34 near Lichtenburg in the Northwest Province.

You are hereby notified that the Draft Scoping Report (SR) is available for review and comment until **26 April 2022**.

Please note, that other than the Cape EAPrac website, the Draft Scoping Reports and all appendices are also available on the dedicated download link below.

<https://www.dropbox.com/scl/fo/svp6n78ckj6xx7uaf022g/h?dl=0&rlkey=x02jif0cshzmo505cz5e7uikk>

Should you not be able to access the digital platforms above, please contact Cape EAPrac on the contact details below and we will arrange an alternative mechanism of providing access to the report.

Please contact the undersigned, should you have any further queries in this regard.

Sincerely,

Dale Holder | 082 448 9225
SENIOR CONSULTANT | ECO | GIS
Ndip Nat. Con. (Pretoria Tech)

T: 044 874 0365
F: 044 874 0432
17 Progress Street, George
P O Box 2070, George 6530



Please Note: When registering as an Interested and Affected Party (I&AP), you consent to the lawful processing of personal information for the intended purposes, as described by the Protection of Personal Information Act, 2013 (Act no. 4 of 2013). Your information will be used for this project, including the initial application as well as subsequent related appeals, amendments or audits, or any future project where you are identified as an I&AP. You also agree that by submitting comment to inform this process, your contact details will, where required by a public body, be reflected in our regulated reports that must be compiled and submitted to the general public, registered stakeholders, organs of state as well as the competent authority for consideration and decision-making.

Kindly view our Privacy Statement for more information.

Dale Holder

From: Tsholofelo Shalot Sekonko <tsekonko@dffe.gov.za>
Sent: Tuesday, 26 April 2022 12:51
To: Dale Holder
Cc: MMatlala Rabothata; Aulicia Maifo
Subject: Comments on Aristida & Themeda Solar PVs
Attachments: Comments on the Aristida Solar PV.pdf; Comments on the Themeda Solar PV.pdf

Dear Mr Holder

Please receive comments for the abovementioned projects for your perusal and implementation.

Regards,
Ms. Tsholofelo Sekonko
Intern:Biodiversity Mainstreaming EIA
Department of Forestry, Fisheries and the Environment
473 Steve Biko and Soutpansberg Streets
Pretoria
Tel: (012) 399 9621
Email: tsekonko@environment.gov.za

'Please consider the environment before you print this email' The processing of personal information by the Department of Forestry, Fisheries and the Environment is done lawfully and not excessive to the purpose of processing in compliance with the POPI Act, any codes of conduct issued by the Information Regulator in terms of the POPI Act and / or relevant legislation providing appropriate security safeguards for the processing of personal information of others.



forestry, fisheries & the environment

Department:
Forestry, Fisheries and the Environment
REPUBLIC OF SOUTH AFRICA

Private Bag X447, Pretoria, 0001, Environment House, 473 Steve Biko Road, Pretoria, 0002 Tel: +27 12 399 9000, Fax: + 27 86 625 1042

Reference: Aristida Solar PV

Enquiries: Ms M Rabothata/Ms. T Sekonko

Telephone: (012) 399 9174 **E-mail:** MRabothata@environment.gov.za

Mr Dale Holder
Cape EAPrac
P.O Box 2070
GEORGE
6530

Telephone Number: (+ 27) 44 874 0365
Email Address: dale@cape-eaprac.co.za

PER E-MAIL

Dear Mr. Holder

COMMENTS ON THE DRAFT SCOPING REPORT FOR THE PROPOSED 100 MW ARISTIDA SOLAR PV FACILITY ON PORTION 7 OF FARM ELANDSFONTEIN 34, LOCATED NORTH WEST OF THE TOWN OF LICHTENBURG IN THE NORTH WEST PROVINCE

The Directorate: Biodiversity Conservation reviewed and evaluated the draft report.

Based on the information provided in the report, the Aristida PV is in very close proximity to a priority focus area. However, the development will not affect this declared focus area, as it is situated considerable distance from the focus area. Moreover, the project does not traverse any threatened or protected ecosystem. Therefore, the proposed development may proceed with next EIA process.

Notwithstanding the above, the following recommendations must be considered in the final report:

- The detailed Biodiversity Specialist studies must be conducted, updated and submitted in your final report.
- Preconstruction walk-through of the approved development footprint to ensure that sensitive habitats and species are avoided where possible.
- Permits from relevant authorities must be obtained for the removal or disturbance of any Tops, Red Data listed or provincially protected species/ trees.
- Rehabilitation Plan that guide planting and seeding with indigenous perennial shrubs and succulents from the local area to avoid erosion and alien invasion must be developed.



COMMENTS ON THE DRAFT SCOPING REPORT FOR THE PROPOSED 100 MW ARISTIDA Solar PV FACILITY ON PORTION 7 OF FARM ELANDSFONTEIN 34, LOCATED NORTH WEST OF THE TOWN OF LICHTENBURG IN THE NORTH WEST PROVINCE

- Pre and Post construction monitoring must be conducted under the guidance of an avifaunal specialist to assess collision rates.
- Suitable bird repelling structures and bird diverters must be considered to avoid collision of birds with the PV facility.

In conclusion please note that all Public Participation Process documents related to Biodiversity EIA review and any other Biodiversity EIA queries must be submitted to the Directorate: Biodiversity Conservation at Email: BCAdmin@environment.gov.za for attention of **Mr Seoka Lekota**.

Yours faithfully



Mr. Seoka Lekota
Control Biodiversity Officer Grade B: Biodiversity Conservation
Department of Forestry, Fisheries & the Environment
Letter signed by: Ms. MP Makitla
Designation: Control Biodiversity Officer Grade A
Date: 26/04/2022



forestry, fisheries & the environment

Department:
Forestry, Fisheries and the Environment
REPUBLIC OF SOUTH AFRICA

Private Bag X447, Pretoria, 0001, Environment House, 473 Steve Biko Road, Pretoria, 0002 Tel: +27 12 399 9000, Fax: +27 86 625 1042

Reference: Themeda Solar PV

Enquiries: Ms M Rabothata/Ms. T Sekonko

Telephone: (012) 399 9174 E-mail: MRabothata@environment.gov.za

Mr Dale Holder
Cape EAPrac
P.O Box 2070
GEORGE
6530

Telephone Number: (+ 27) 44 874 0365
Email Address: dale@cape-eaprac.co.za

PER E-MAIL

Dear Mr. Holder

COMMENTS ON THE DRAFT SCOPING REPORT FOR THE PROPOSED 100 MW THEMEDA SOLAR PV FACILITY ON PORTION 7 OF FARM ELANDSFONTEIN 34, LOCATED NORTH WEST OF THE TOWN OF LICHTENBURG IN THE NORTH WEST PROVINCE

The Directorate: Biodiversity Conservation reviewed and evaluated the draft report.

Based on the information provided in the report, there are no Freshwater Ecosystem Priority Area (FEPA) rivers nor wetlands are within proximity to the project area, with no systems located in the project area. Therefore, the Directorate does not object to the development. The proposed development may proceed with next EIA process.

Notwithstanding the above, the following recommendations must be considered in the final report:

- The detailed Biodiversity Specialist studies must be conducted, updated and submitted in your final report.
- Preconstruction walk-through of the approved development footprint to ensure that sensitive habitats and species are avoided where possible.
- Permits from relevant authorities must be obtained for the removal or disturbance of any Tops, Red Data listed or provincially protected species/ trees.
- Rehabilitation Plan that guide planting and seeding with indigenous perennial shrubs and succulents from the local area to avoid erosion and alien invasion must be developed.



COMMENTS ON THE DRAFT SCOPING REPORT FOR THE PROPOSED 100 MW THEMEDA SOLAR PV FACILITY ON PORTION 7 OF FARM ELANDSFONTEIN 34, LOCATED NORTH WEST OF THE TOWN OF LICHTENBURG IN THE NORTH WEST PROVINCE

- Pre and Post construction monitoring must be conducted under the guidance of an avifaunal specialist to assess collision rates.
- Suitable bird repelling structures and bird diverters must be considered to avoid collision of birds with the PV facility.

In conclusion please note that all Public Participation Process documents related to Biodiversity EIA review and any other Biodiversity EIA queries must be submitted to the Directorate: Biodiversity Conservation at Email: BCAdmin@environment.gov.za for attention of **Mr Seoka Lekota**.

Yours faithfully



Mr. Seoka Lekota
Control Biodiversity Officer Grade B: Biodiversity Conservation
Department of Forestry, Fisheries & the Environment
Letter signed by: Ms. MP Makitla
Designation: Control Biodiversity Officer Grade A
Date: 26/04/2022

Dale Holder

From: Lydia Kutu <LKutu@dffe.gov.za>
Sent: Thursday, 28 April 2022 12:16
To: Dale Holder; Anthony@atlanticep.com
Cc: Julliet Mahlangu; EIAadmin; Salome Mambane
Subject: 14/12/16/3/3/2/2148 & 2149
Attachments: 14-12-16-3-3-2-2148.pdf; 14-12-16-3-3-2-2149.pdf

Good day.

Please find herein the attached letters for the above mentioned.

I hope you find all in order.

Thank you.

Kind Regards,
Lydia Kutu
Integrated Environmental Authorisations:
Priority Infrastructure Developments
Tel: (012) 399 9370
Email: LKutu@dffe.gov.za

To God be the Glory!!!



forestry, fisheries & the environment

Department:
Forestry, Fisheries and the Environment
REPUBLIC OF SOUTH AFRICA

Private Bag X 447· PRETORIA 0001· Environment House 473 Steve Biko Road, Arcadia,· PRETORIA

DFFE Reference: 14/12/16/3/3/2/2148

Enquiries: Ms Julliet Mahlangu

Telephone: (012) 399 9320 E-mail: jmmahlangu@dfpe.gov.za

Mr Dale Holder
Cape Environmental Assessment Practitioners
PO Box 2070
GEORGE
6530

Telephone Number: 044 874 0365
Email Address: dale@cape-eaprac.co.za

PER MAIL / E-MAIL

Dear Mr Holder

COMMENTS ON THE DRAFT SCOPING REPORT FOR THE PROPOSED ARISTIDA PV ASSOCIATED INFRASTRUCTURE ON PORTION 7 OF THE FARM ELANDSFONTEIN 34, NEAR LICHTENBURG IN THE NORTH WEST PROVINCE.

The Application for Environmental Authorisation and Draft Scoping Report (SR) dated 24 March 2022 and received by the Department on 29 March 2022, refer.

This letter serves to inform you that the following information must be included to the Final Scoping Report:

(a) Listed Activities

- Please ensure that all relevant listed activities are applied for, are specific and can be linked to the development activity or infrastructure as described in the project description.
- If the activities applied for in the application form differ from those mentioned in the final SR, an amended application form must be submitted. Please note that the Department's application form template has been amended and can be downloaded from the following link <https://www.environment.gov.za/documents/forms>.

(b) Public Participation Process

- Please ensure that all issues raised and comments received during the circulation of the SR from registered I&APs and organs of state which have jurisdiction (including this Department's Biodiversity Section) in respect of the proposed activity are adequately addressed in the Final SR. Proof of correspondence with the various stakeholders must be included in the Final SR. Should you be unable to obtain comments, proof should be submitted to the Department of the attempts that were made to obtain comments. The Public Participation Process must be conducted in terms of Regulation 39, 40 41, 42, 43 & 44 of the EIA Regulations 2014, as amended.
- A comments and response trail report (C&R) must be submitted with the final SR. The C&R report must incorporate all comments for this development including this Department's comments. The C&R report must be a separate document from the main report and the format must be in the table format. Please refrain from summarising comments made by I&APs. All comments from I&APs must be copied verbatim and responded to clearly. Please note that a response such as "Noted" is not regarded as an adequate response to I&AP's comments.

- The final SR must provide evidence that all identified and relevant competent authorities have been given an opportunity to comment on the proposed development; particularly the South African Astronomical Observatory, the North West Environmental Department, the District and Local Municipalities.

(c) Specialist Assessments

- The specialist studies must also provide a detailed description of all limitations to their studies. All specialist studies must be conducted in the right season and providing that as a limitation, will not be accepted.
- Should the appointed specialists specify contradicting recommendations, the EAP must clearly indicate the most reasonable recommendation and substantiate this with defensible reasons; and where necessary, include further expert advice.
- It is further brought to your attention that Procedures for the Assessment and Minimum Criteria for Reporting on identified Environmental Themes in terms of Sections 24(5)(a) and (h) and 44 of the National Environmental Management Act, 1998, when applying for Environmental Authorisation, which were promulgated in Government Notice No. 320 of 20 March 2020 (i.e. "the Protocols"), and in Government Notice No. 1150 of 30 October 2020 (i.e. protocols for terrestrial plant and animal species), have come into effect. **Please note that specialist assessments must be conducted in accordance with these protocols.**
- Please ensure that the final SR also includes a table, which summarises the specialist studies required by the Department's Screening Tool, a column indicating whether these studies are to be conducted or not, and a column with motivation for any studies not to be undertaken. Please note that if any of the specialists' studies and requirements/protocols recommended in the Department's Screening Tool are not commissioned, motivation for such must be provided in the report per the requirements of the Protocols (which requires site sensitivity verification and compliance statements, where applicable).

(d) Cumulative Assessment

- Should there be any other similar projects within a 30km radius of the proposed development site, the cumulative impact assessment for all identified and assessed impacts must be refined to indicate the following:
 - Identified cumulative impacts must be clearly defined, and where possible the size of the identified impact must be quantified and indicated, i.e. hectares of cumulatively transformed land.
 - Detailed process flow and proof must be provided, to indicate how the specialist's recommendations, mitigation measures and conclusions from the various similar developments in the area were taken into consideration in the assessment of cumulative impacts and when the conclusion and mitigation measures were drafted for this project.
 - The cumulative impacts significance rating must also inform the need and desirability of the proposed development.
 - A cumulative impact environmental statement on whether the proposed development must proceed.

(e) Undertaking under oath

- The final Scoping Report must include an undertaking under oath or affirmation by the EAP in relation to:
 - (i) the correctness of the information provided in the report;
 - (ii) the inclusion of comments and inputs from stakeholders and interested and affected parties; and
 - (iii) any information provided by the EAP to interested and affected parties and any responses by the EAP to comments or inputs made by interested or affected parties;
- In addition, the final scoping report must also include an undertaking under oath or affirmation by the EAP in relation to the level of agreement between the EAP and interested and affected parties on the plan of study for undertaking the environmental impact assessment.

General

You are further reminded to comply with Regulation 21(1) of the NEMA EIA Regulations 2014, as amended, which states that:

"If S&EIR must be applied to an application, the applicant must, within 44 days of receipt of the application by the competent authority, submit to the competent authority a scoping report which has been subjected to a public participation process of at least 30 days and which reflects the incorporation of comments received, including any comments of the competent authority"

You are further reminded that the final SR to be submitted to this Department must comply with all the requirements in terms of the scope of assessment and content of Scoping reports in accordance with Appendix 2 and Regulation 21(1) of the EIA Regulations 2014, as amended.

Further note that in terms of Regulation 45 of the EIA Regulations 2014, as amended, this application will lapse if the applicant fails to meet any of the timeframes prescribed in terms of these Regulations, unless an extension has been granted in terms of Regulation 3(7).

You are hereby reminded of Section 24F of the National Environmental Management Act, Act No. 107 of 1998, as amended, that no activity may commence prior to an Environmental Authorisation being granted by the Department.

Yours sincerely



Mr Sabelo Malaza

**Chief Director: Integrated Environmental Authorisations
Department of Forestry, Fisheries and the Environment**

Letter signed by: Ms Nyiko Nkosi

Designation: Acting Deputy Director: National Infrastructure Projects

Date: 26/04/2022

cc:	Mr Anthony de Graaf	Aristida PV (Pty) Ltd	Email: anthony@atlanticep.com
-----	---------------------	-----------------------	-------------------------------



forestry, fisheries & the environment

Department:
Forestry, Fisheries and the Environment
REPUBLIC OF SOUTH AFRICA

Private Bag X 447 · PRETORIA 0001 · Environment House · 473 Steve Biko Road, Arcadia · PRETORIA

DFFE Reference: 14/12/16/3/3/2/2149

Enquiries: Ms Julliet Mahlangu

Telephone: (012) 399 9320 E-mail: jmmahlangu@dffe.gov.za

Mr Dale Holder
Cape Environmental Assessment Practitioners
PO Box 2070
GEORGE
6530

Telephone Number: 044 874 0365
Email Address: dale@cape-eaprac.co.za

PER MAIL / E-MAIL

Dear Mr Holder

COMMENTS ON THE DRAFT SCOPING REPORT FOR THE PROPOSED THEMEDA PV ASSOCIATED INFRASTRUCTURE ON PORTION 7 OF THE FARM ELANDSFONTEIN 34, NEAR LICHTENBURG IN THE NORTH WEST PROVINCE.

The Application for Environmental Authorisation and Draft Scoping Report (SR) dated 24 March 2022 and received by the Department on 29 March 2022, refer.

This letter serves to inform you that the following information must be included to the Final Scoping Report:

(a) Listed Activities

- Please ensure that all relevant listed activities are applied for, are specific and can be linked to the development activity or infrastructure as described in the project description.
- If the activities applied for in the application form differ from those mentioned in the final SR, an amended application form must be submitted. Please note that the Department's application form template has been amended and can be downloaded from the following link <https://www.environment.gov.za/documents/forms>.

(b) Public Participation Process

- Please ensure that all issues raised and comments received during the circulation of the SR from registered I&APs and organs of state which have jurisdiction (including this Department's Biodiversity Section) in respect of the proposed activity are adequately addressed in the Final SR. Proof of correspondence with the various stakeholders must be included in the Final SR. Should you be unable to obtain comments, proof should be submitted to the Department of the attempts that were made to obtain comments. The Public Participation Process must be conducted in terms of Regulation 39, 40, 41, 42, 43 & 44 of the EIA Regulations 2014, as amended.
- A comments and response trail report (C&R) must be submitted with the final SR. The C&R report must incorporate all comments for this development including this Department's comments. The C&R report must be a separate document from the main report and the format must be in the table format. Please refrain from summarising comments made by I&APs. All comments from I&APs must be copied verbatim and responded to clearly. Please note that a response such as "Noted" is not regarded as an adequate response to I&AP's comments.

- The final SR must provide evidence that all identified and relevant competent authorities have been given an opportunity to comment on the proposed development; particularly the South African Astronomical Observatory, the North West Environmental Department, the District and Local Municipalities.

(c) Specialist Assessments

- The specialist studies must also provide a detailed description of all limitations to their studies. All specialist studies must be conducted in the right season and providing that as a limitation, will not be accepted.
- Should the appointed specialists specify contradicting recommendations, the EAP must clearly indicate the most reasonable recommendation and substantiate this with defensible reasons; and where necessary, include further expert advice.
- It is further brought to your attention that Procedures for the Assessment and Minimum Criteria for Reporting on identified Environmental Themes in terms of Sections 24(5)(a) and (h) and 44 of the National Environmental Management Act, 1998, when applying for Environmental Authorisation, which were promulgated in Government Notice No. 320 of 20 March 2020 (i.e. "the Protocols"), and in Government Notice No. 1150 of 30 October 2020 (i.e. protocols for terrestrial plant and animal species), have come into effect. **Please note that specialist assessments must be conducted in accordance with these protocols.**
- Please ensure that the final SR also includes a table, which summarises the specialist studies required by the Department's Screening Tool, a column indicating whether these studies are to be conducted or not, and a column with motivation for any studies not to be undertaken. Please note that if any of the specialists' studies and requirements/protocols recommended in the Department's Screening Tool are not commissioned, motivation for such must be provided in the report per the requirements of the Protocols (which requires site sensitivity verification and compliance statements, where applicable).

(d) Cumulative Assessment

- Should there be any other similar projects within a 30km radius of the proposed development site, the cumulative impact assessment for all identified and assessed impacts must be refined to indicate the following:
 - Identified cumulative impacts must be clearly defined, and where possible the size of the identified impact must be quantified and indicated, i.e. hectares of cumulatively transformed land.
 - Detailed process flow and proof must be provided, to indicate how the specialist's recommendations, mitigation measures and conclusions from the various similar developments in the area were taken into consideration in the assessment of cumulative impacts and when the conclusion and mitigation measures were drafted for this project.
 - The cumulative impacts significance rating must also inform the need and desirability of the proposed development.
 - A cumulative impact environmental statement on whether the proposed development must proceed.

(e) Undertaking under oath

- The final Scoping Report must include an undertaking under oath or affirmation by the EAP in relation to:
 - (i) the correctness of the information provided in the report;
 - (ii) the inclusion of comments and inputs from stakeholders and interested and affected parties; and
 - (iii) any information provided by the EAP to interested and affected parties and any responses by the EAP to comments or inputs made by interested or affected parties;
- In addition, the final scoping report must also include an undertaking under oath or affirmation by the EAP in relation to the level of agreement between the EAP and interested and affected parties on the plan of study for undertaking the environmental impact assessment.

General

You are further reminded to comply with Regulation 21(1) of the NEMA EIA Regulations 2014, as amended, which states that:

"If S&EIR must be applied to an application, the applicant must, within 44 days of receipt of the application by the competent authority, submit to the competent authority a scoping report which has been subjected to a public participation process of at least 30 days and which reflects the incorporation of comments received, including any comments of the competent authority"

You are further reminded that the final SR to be submitted to this Department must comply with all the requirements in terms of the scope of assessment and content of Scoping reports in accordance with Appendix 2 and Regulation 21(1) of the EIA Regulations 2014, as amended.

Further note that in terms of Regulation 45 of the EIA Regulations 2014, as amended, this application will lapse if the applicant fails to meet any of the timeframes prescribed in terms of these Regulations, unless an extension has been granted in terms of Regulation 3(7).

You are hereby reminded of Section 24F of the National Environmental Management Act, Act No. 107 of 1998, as amended, that no activity may commence prior to an Environmental Authorisation being granted by the Department.

Yours sincerely



Mr Sabelo Malaza

Chief Director: Integrated Environmental Authorisations

Department of Forestry, Fisheries and the Environment

Letter signed by: Ms Nyiko Nkosi

Designation: Acting Deputy Director: National Infrastructure Projects

Date: 26/04/2022

cc:	Mr Anthony de Graaf	Themeda PV (Pty) Ltd	Email: anthony@atlanticep.com
-----	---------------------	----------------------	---

Dale Holder

From: MMatlala Rabothata <MRABOTHATA@dffe.gov.za>
Sent: Wednesday, 04 May 2022 15:14
To: Dale Holder; Tsholofelo Shalot Sekonko
Cc: Aulicia Maifo
Subject: RE: Comments on Aristida & Themeda Solar PVs

Noted with thanks.

From: Dale Holder <dale@cape-eaprac.co.za>
Sent: Thursday, 28 April 2022 11:21
To: Tsholofelo Shalot Sekonko <tsekonko@dffe.gov.za>
Cc: MMatlala Rabothata <MRABOTHATA@dffe.gov.za>; Aulicia Maifo <amaifo@dffe.gov.za>
Subject: RE: Comments on Aristida & Themeda Solar PVs

Thank you very Much Tsholofelo.

I acknowledge receipt of these comments and confirm that they will be included in the Final Scoping Report that will be submitted to the Department.

Best Regards,

Dale Holder
Cape EAPrac

From: Tsholofelo Shalot Sekonko <tsekonko@dffe.gov.za>
Sent: Tuesday, 26 April 2022 12:51
To: Dale Holder <dale@cape-eaprac.co.za>
Cc: MMatlala Rabothata <MRABOTHATA@dffe.gov.za>; Aulicia Maifo <amaifo@dffe.gov.za>
Subject: Comments on Aristida & Themeda Solar PVs

Dear Mr Holder

Please receive comments for the abovementioned projects for your perusal and implementation.

Regards,
Ms. Tsholofelo Sekonko
Intern:Biodiversity Mainstreaming EIA
Department of Forestry, Fisheries and the Environment
473 Steve Biko and Soutpansberg Streets
Pretoria
Tel: (012) 399 9621
Email: tsekonko@environment.gov.za

'Please consider the environment before you print this email' The processing of personal information by the Department of Forestry, Fisheries and the Environment is done lawfully and not excessive to the purpose of processing in compliance with the POPI Act, any codes of conduct issued by the Information Regulator in terms of the POPI Act and / or relevant legislation providing appropriate security safeguards for the processing of personal information of others.

