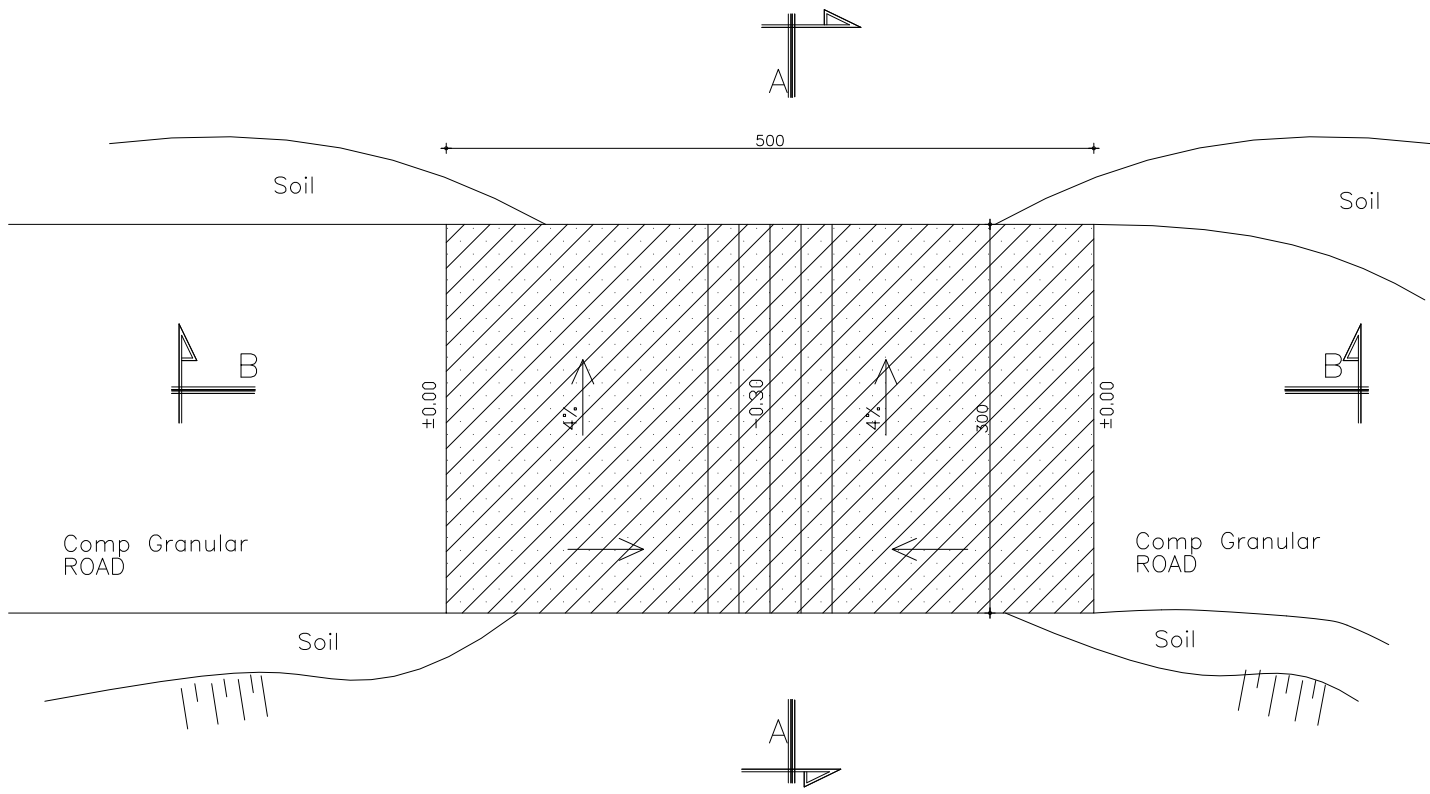
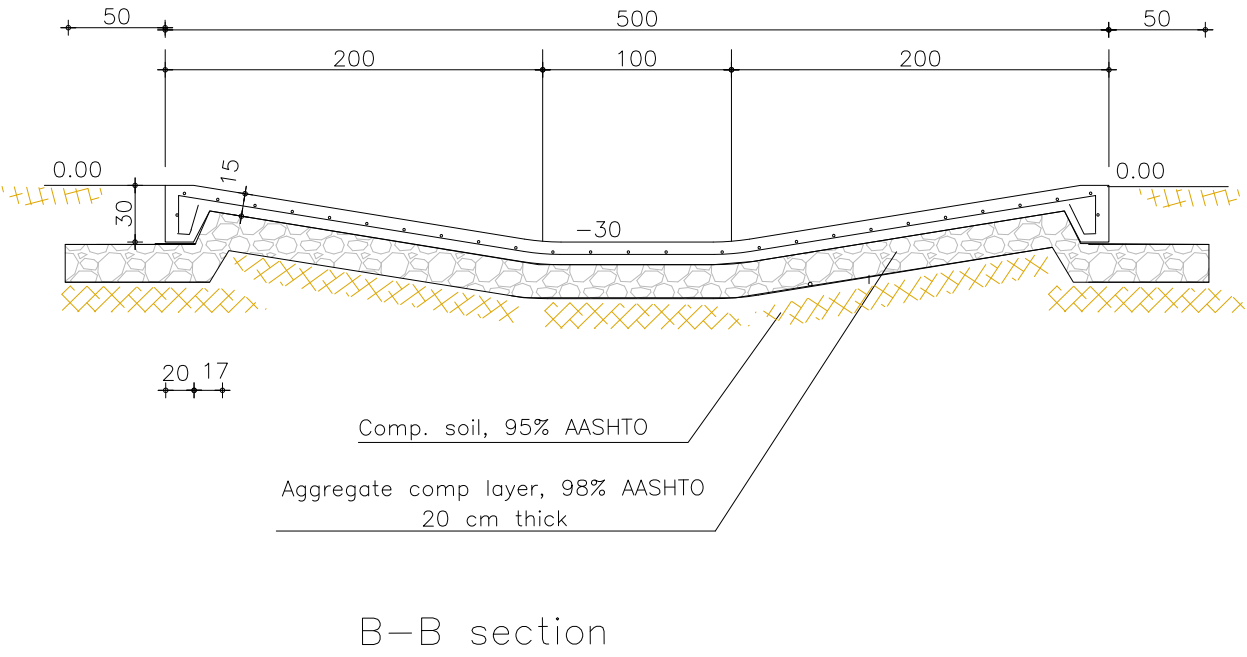
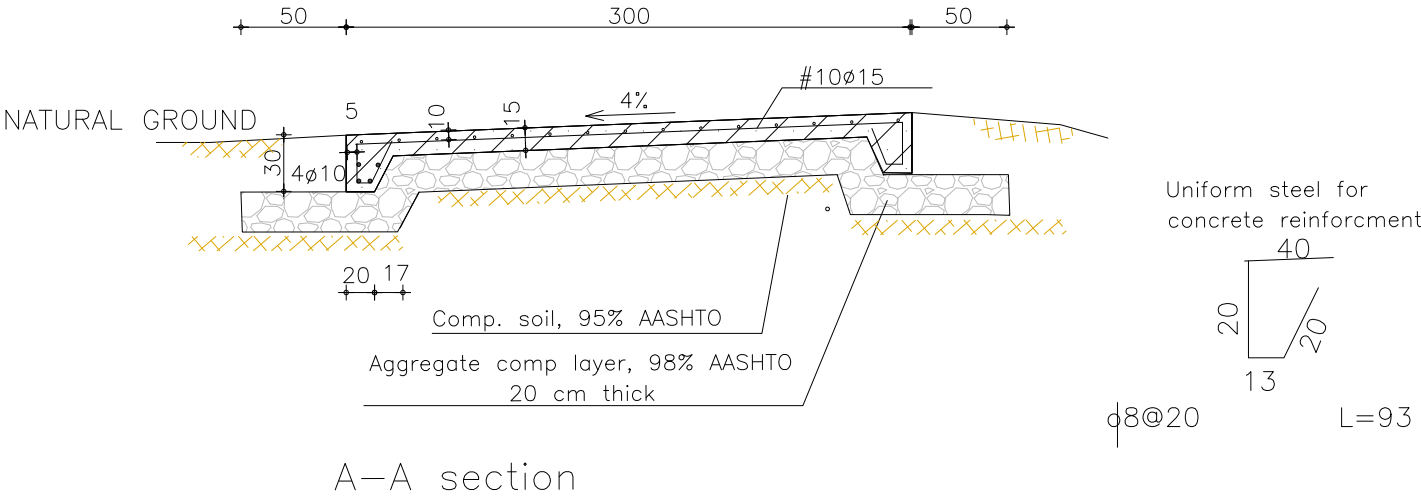


# CONCRETE IRISH BRIDGE PLAN



# CONCRETE IRISH BRIDGE SECTIONS



CLIENT

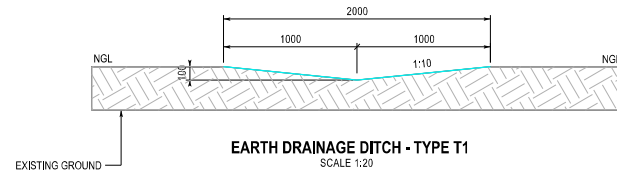
REV	DATE	REVISION DETAILS

APPROVED	DRAWN	DESIGNED

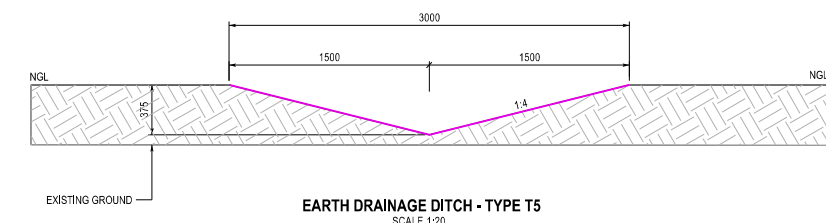
PROJECT
TITLE
TYPICAL DRAINAGE DETAILS - SIDE DRAINS

FOR DISCUSSION ONLY	
PROJECT No.	
SCALE	
DRAWING No.	
REV	

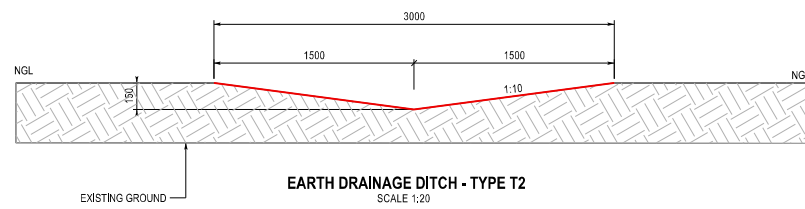




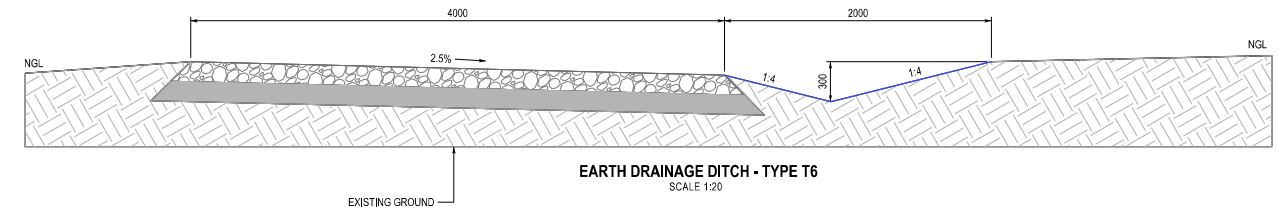
**EARTH DRAINAGE DITCH - TYPE T1**  
SCALE 1:20



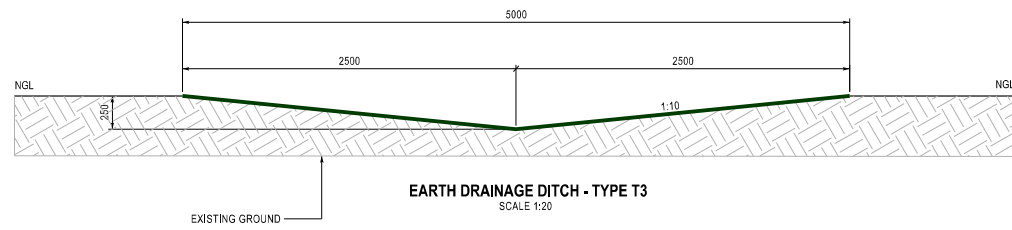
**EARTH DRAINAGE DITCH - TYPE T5**  
SCALE 1:20



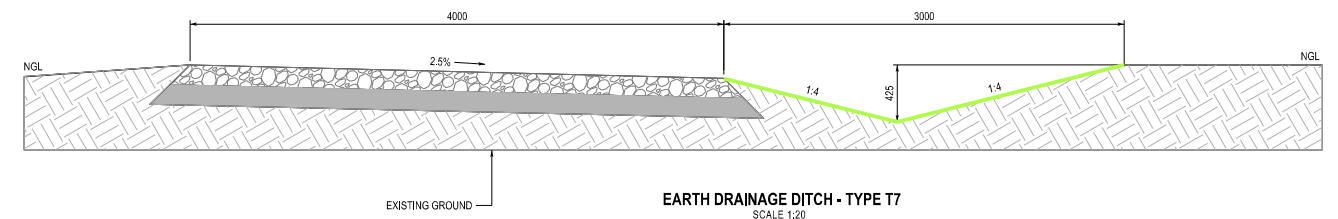
**EARTH DRAINAGE DITCH - TYPE T2**  
SCALE 1:20



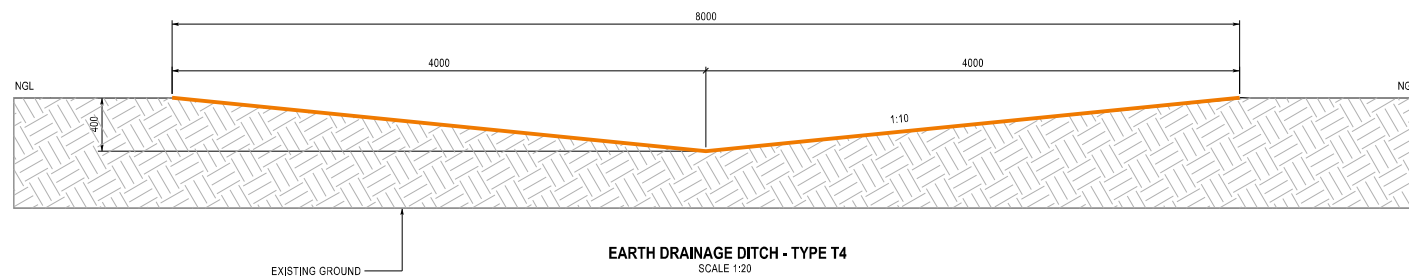
**EARTH DRAINAGE DITCH - TYPE T6**  
SCALE 1:20



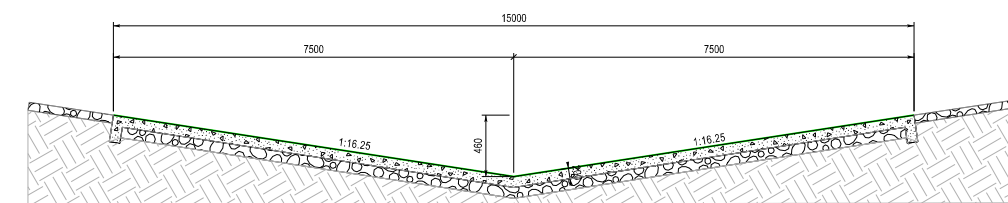
**EARTH DRAINAGE DITCH - TYPE T3**  
SCALE 1:20



**EARTH DRAINAGE DITCH - TYPE T7**  
SCALE 1:20



**EARTH DRAINAGE DITCH - TYPE T4**  
SCALE 1:20



**CONCRETE DRIFT CROSSING**  
SCALE 1:50



CLIENT

REV	DATE	REVISION DETAILS

APPROVED	DRAWN	DESIGNED

PROJECT

FOR DISCUSSION ONLY	
PROJECT No.	
SCALE	
DRAWING No.	
REV	

TYPICAL DRAINAGE DETAILS - SIDE DRAINS