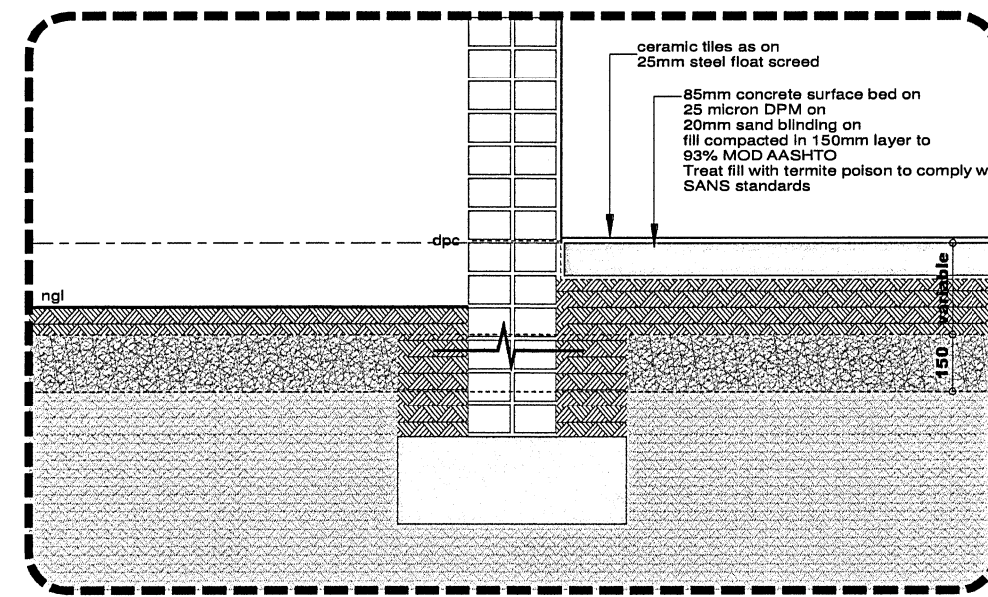
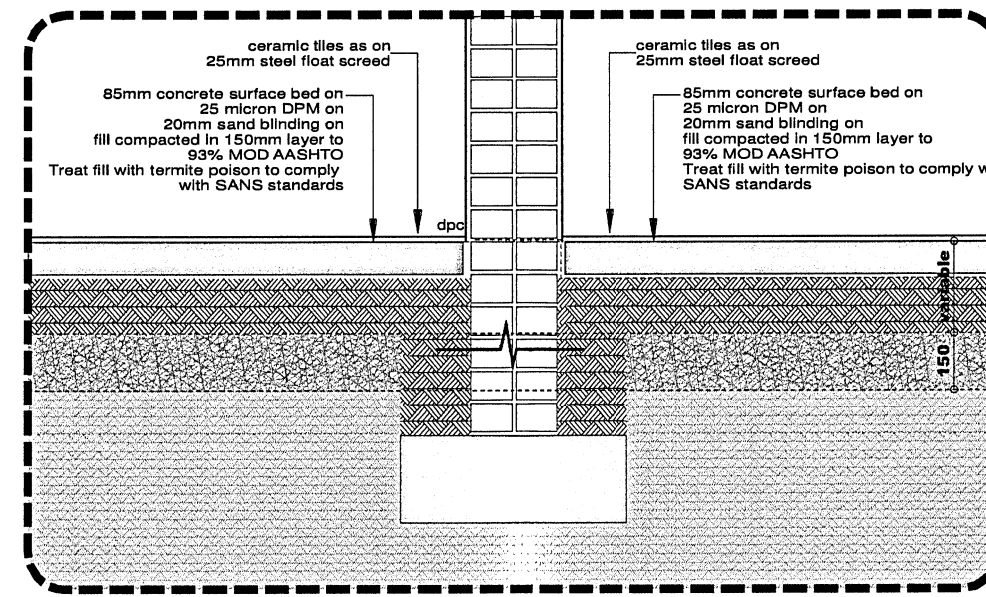


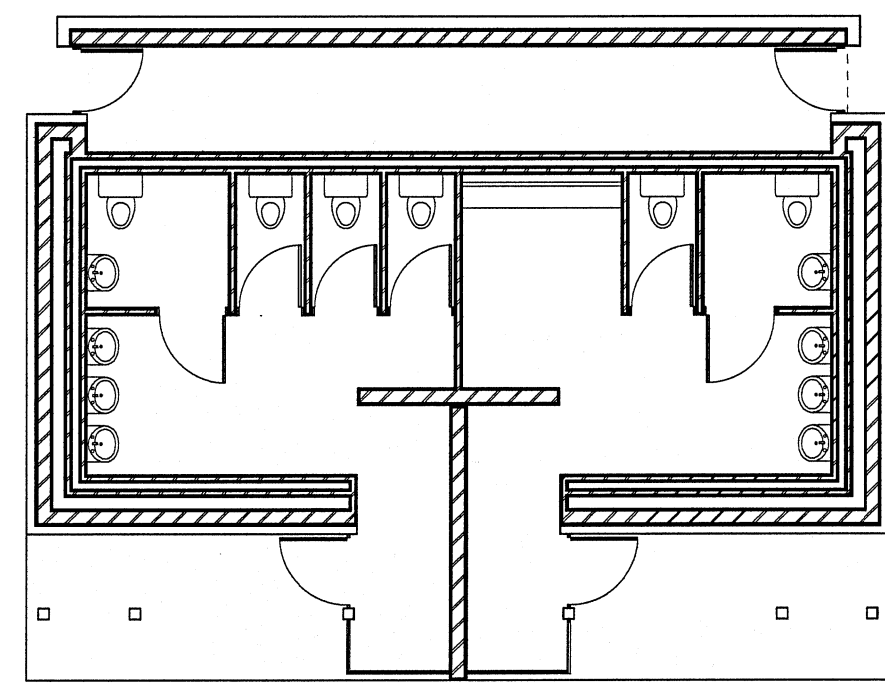
Picnic Site Ablutions - foundation plan



foundation detail 01
scale 1:20



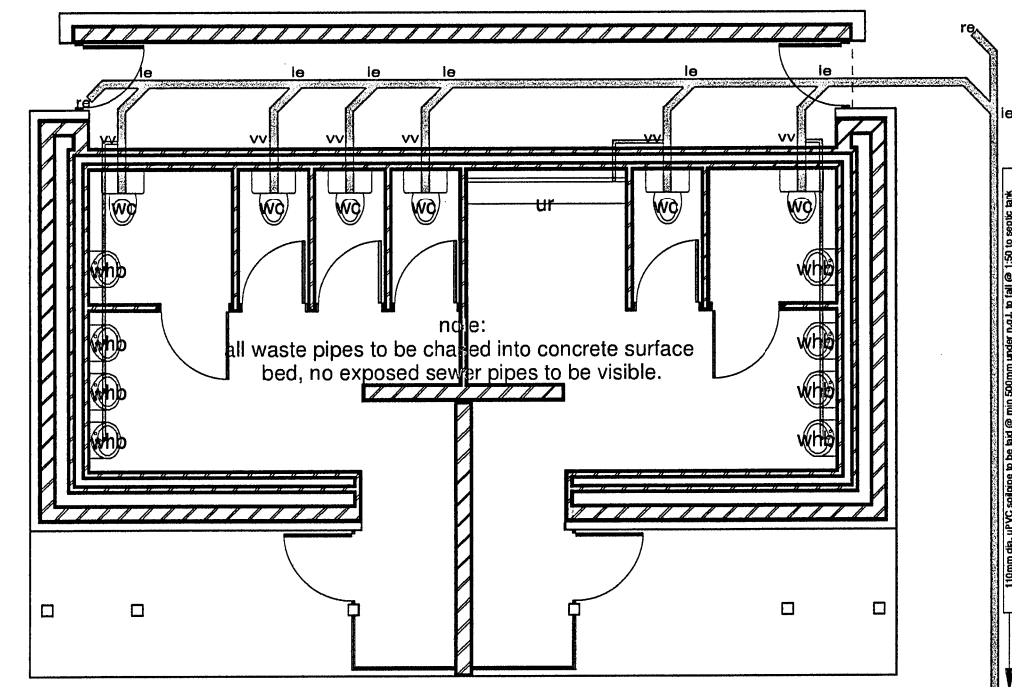
foundation detail 02
scale 1:20



Picnic Site Ablutions - ceiling plan

ceiling notes:

concrete:
Slab soffit to be finished with 1:5 cement/sandplaster on splashcoat to concrete, finished smooth with timber trowel. Paint to finish.



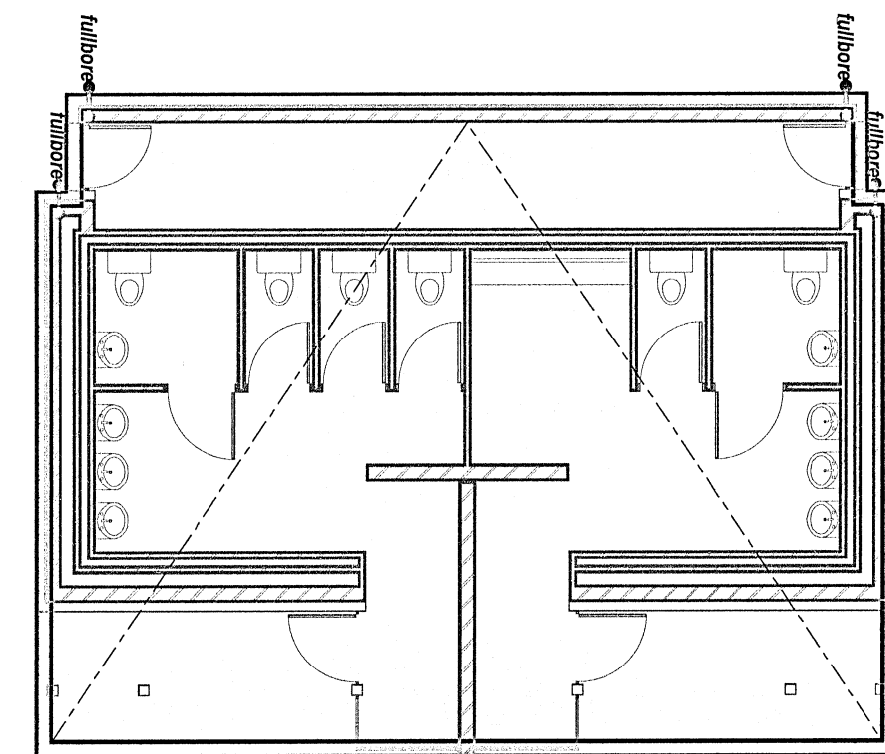
Picnic Site Ablutions - sewer plan

sewer key:

Marley pipesystems 40mm uPVC waste pipes with all necessary bends, joints etc. installed as per manufacturers specifications and recommendations.

For installations above ground:
Marley pipesystems 110mm uPVC plain waste pipes with all necessary bends, joints etc. installed as per manufacturers specifications and recommendations.

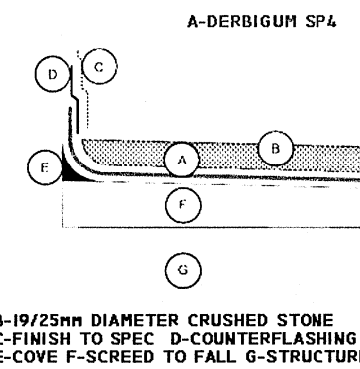
For installations under ground:
Marley pipesystems 110mm uPVC socketed waste pipes with all necessary bends, joints etc. installed as per manufacturers specifications and recommendations.



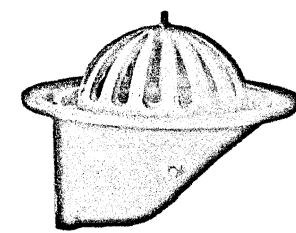
Picnic Site Ablutions - roof plan

roof notes:

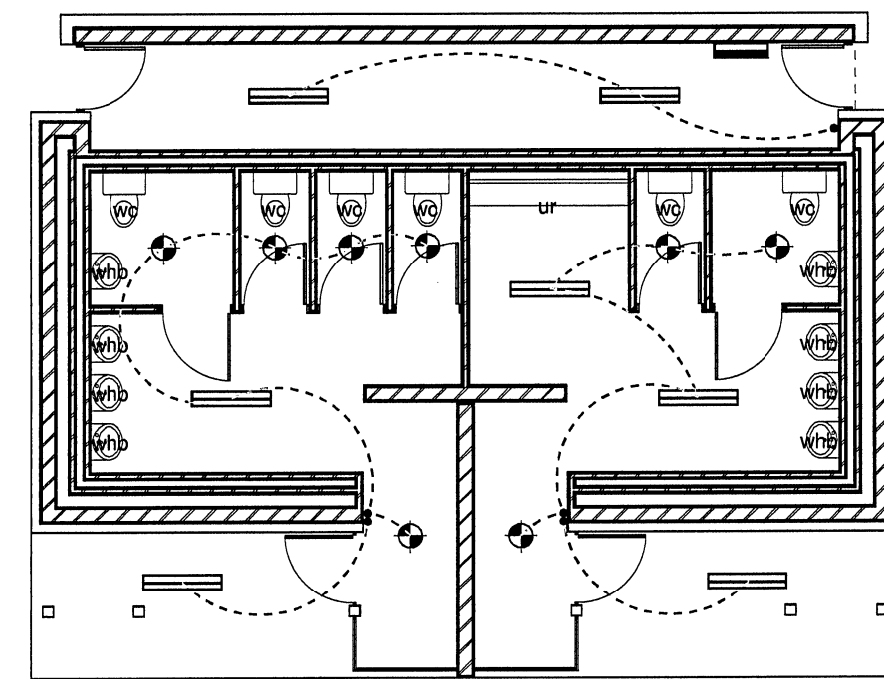
slab waterproofing:
One layer Derbigum SP4 waterproofing membrane, with 75mm side laps and 100mm end laps, sealed to primed surface to falls and crossfalls by 'torchfusion' including protection of 50mm thick layer clean 19-25mm crushed stone.



fullbores:
Saint Gobain Pipelines South Africa 150mm 90° centre bolt side roof outlet with dome grating (Code: 03590).



roof planter modules:
green roofing modules as per Green Roof Designs 800mm x 600mm x 75mm deep placed together on 1mm LDPE plastic sheeting laid on top of crushed stone. (or similar modular roof planting system upon architects approval)



Picnic Site Ablutions - electrical plan

ELECTRICAL KEY	
Double Plug	⏏
Distribution Board	⏚
Light Switch	⏏
Wall Mounted Light	⏏
Ceiling Mounted Light	⏏
Fluorescent Light	⏏
Stove Switch	⏏
Telephone Point	⏏
T.V. Point	⏏

COPYRIGHT RESERVED

COPYRIGHT NOTICE
COPYRIGHT © 2017- Bakopane Architects cc
Copyright subsists in this drawing. The person or entity whose name appears in the title block of this drawing, is hereby granted a non-exclusive licence to use, display, print and/or reproduce this drawing to the extent necessary to carry out and complete the project described in the title block of this drawing. This licence in respect of the copyright is expressly limited as aforesaid and the person and / or entity referred to above shall not be entitled to grant sub-licences in respect of the copyright in this drawing to any other entity. This licence confers no ownership rights in the copyright vesting in the drawing and this drawing and the copyright subsisting therein will, at all times, remain the property of Bakopane Architects cc. Any unauthorised reproduction, publication, transmission, adaptation and/or inclusion of this drawing in a cinematograph film or television broadcast is an act of copyright infringement which will render the doer of the act liable for civil law copyright infringement and may in certain circumstances render the doer liable to criminal prosecution. Requests and enquiries concerning this drawing and the rights subsisting therein should be addressed to the copyright owner.

Rev 00	28/04/17	Construction drawings	MDM
No:	Date:	Notes:	Drawn:

- GENERAL NOTES:
1. Check all measurements, levels and details on site before commencement with work.
 2. Refer any discrepancies to architect
 3. All work to be done in accordance with SANS-10400
 4. Nothing to be scaled from drawing; request measurement from architect
 5. Architect's & engineer's drawings to be read together
 6. Drawing to be used for intention as mentioned in Drawing description.




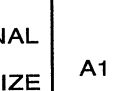
DEPARTMENT'S SIGNATURE:



PRINCIPAL AGENT:



ARCHITECT'S SIGNATURE:

APPROVED BY		CONT-APPROVAL	NAME	DATE	SIGNATURE	MINE - NOTED	NAME	DATE	SIGNATURE	ANGLO - NOTED	NAME	DATE	SIGNATURE		CLIENT: NORTH-WEST RURAL, ENVIRONMENTAL & AGRICULTURE DEPARTMENT	COPYRIGHT
DESIGNED BY		DRAWN	N.G Masenywa	2016/05/04		PROJECT ENGINEER				HEAD OF PROJECTS	B. Gauru	2017/05/10			PROJECT : PROPOSED ALTERATIONS & ADDITIONS TO TAUNG SKULL HERITAGE SITE	SCALE: 1/100/50/20
		CHECKED				PROCESS ENGINEER				HOE-AAIC				AREA : PROVINCE OF NORTH-WEST		
		DESIGNED	H. Labuschagne	2016/05/04		MINING PLANNER				MECH ENGINEER				LOCATION: TAUNG SKULL HERITAGE SITE		
		PROJ. ENGINEER				CONSTR. MANAGER				ELEC. ENGINEER				PROJECT PRINCIPAL: ENDECON UBUNTU	ORIGINAL	
		PROJ. MANAGER				PROJECT MANAGER				C & I ENGINEER				TITLE : PICNIC SITE ABLUTIONS	DRG. SIZE	
		PR. ENG.	H. Dwyer	2017/05/10		ENG. MANAGER				CIVIL ENGINEER				DRG No.	A1	
		PR. ENG. No.	20060100			MINING MANAGER								TAUNG - 42017 - ARC - PA 02	REV.	
		GENERAL MANAGER													0	



SITE. PROJ. BUS. UNIT SEQ. No.