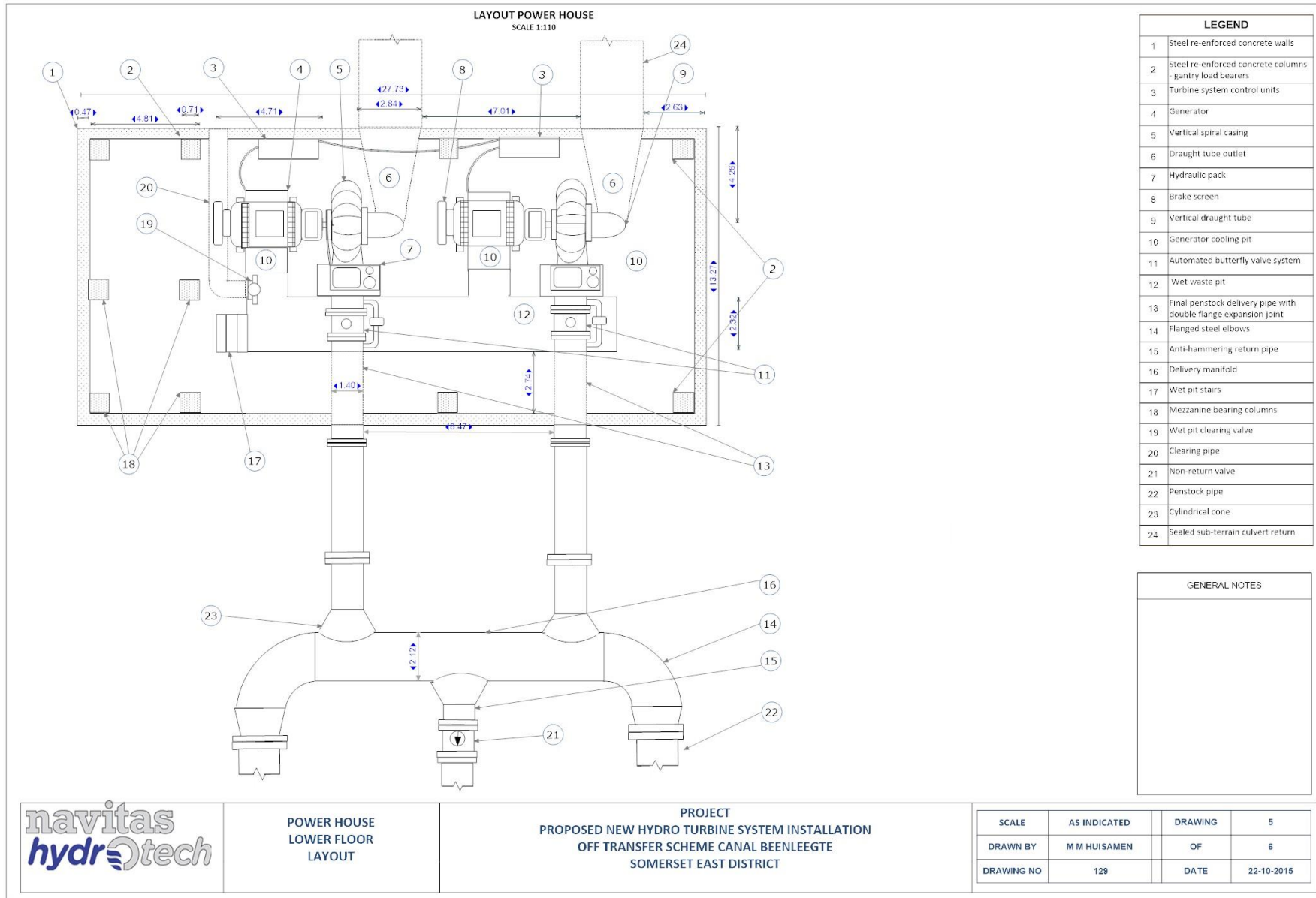
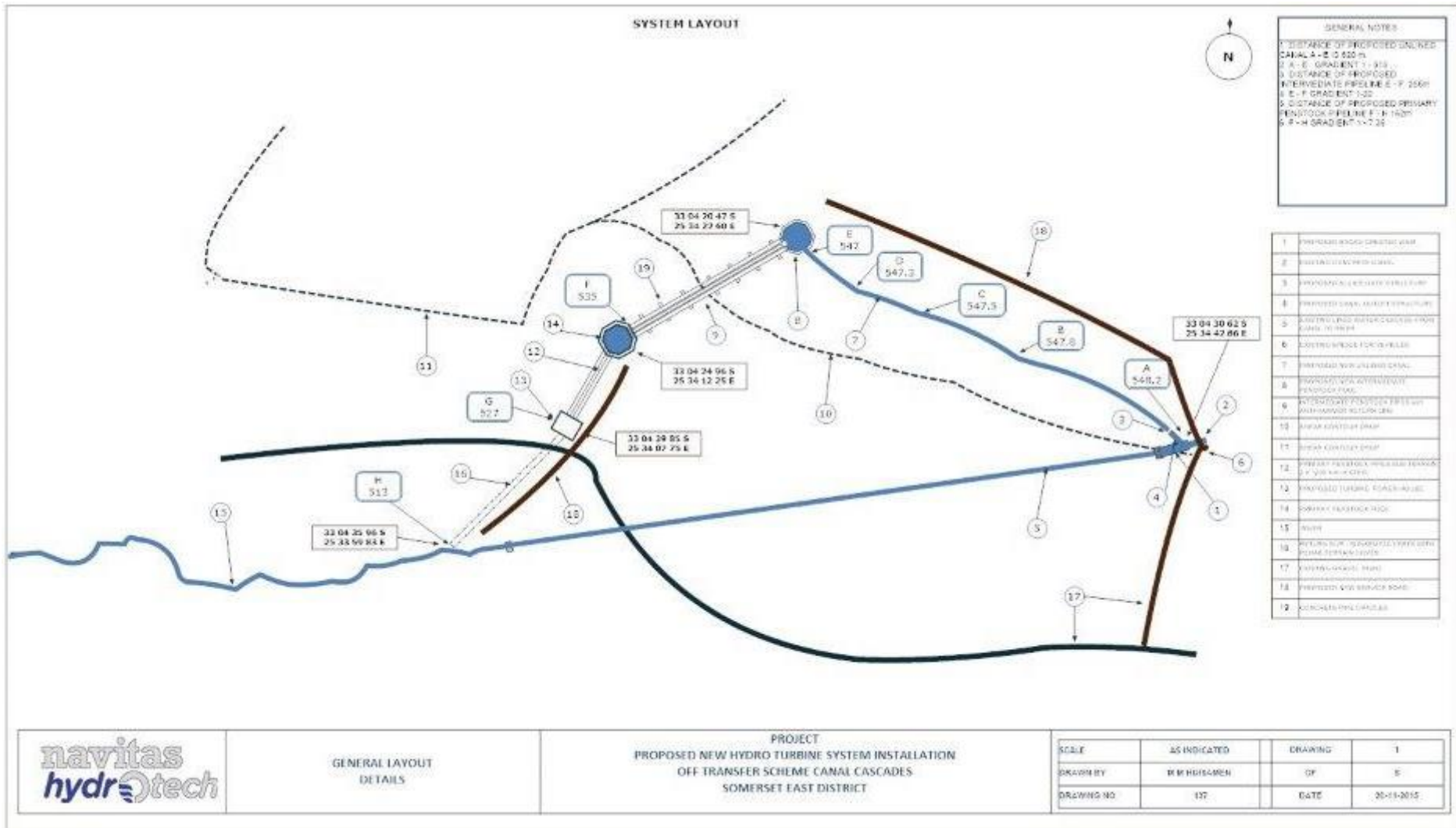


**APPENDIX C: FACILITY ILLUSTRATION(S)**

# APPENDICES



# APPENDICES





**PROJECT**  
 PROPOSED NEW HYDRO TURBINE SYSTEM INSTALLATION  
 OFF TRANSFER SCHEME CANAL CASCADES  
 SOMERSET EAST DISTRICT

SCALE	AS INDICATED	DRAWING	1
DRAWN BY	M M HEISAMEN	OF	5
DRAWING NO.	137	DATE	20-11-2015