

REFERENCE DRAWINGS		
ITEM	DESCRIPTION	DWG NO
STRUCTURES		
1	H-POLE STRAIN 0 DEVIATION - 3.5m CROSSARM - 2 x 3.5m CROSSARMS - 4.5m CROSSARM - 2 x 4.5m CROSSARM	D-DT-1763 D-DT-1767 D-DT-1773 D-DT-1777
EQUIPMENT ATTACHMENTS		
2	-BYPASS LINKS OR BYPASS SWITCH	D-DT-1852 D-DT-1858
3	-EQUIPMENT LINKS	D-DT-1874
4	-STATION CLASS S.A.	D-DT-6215 D-DT-6216
5	-MV STAY PLATES	D-DT-3012
6	-ANTI-CLIMBING DEVICE	D-DT-0399
7	-2 x REGULATOR MOUNTING PLATFORMS	D-DT-0264
EQUIPMENT EARTHING		
	REGULATOR EARTHING DETAILS	D-DT-1830 (Sh. 5+6)

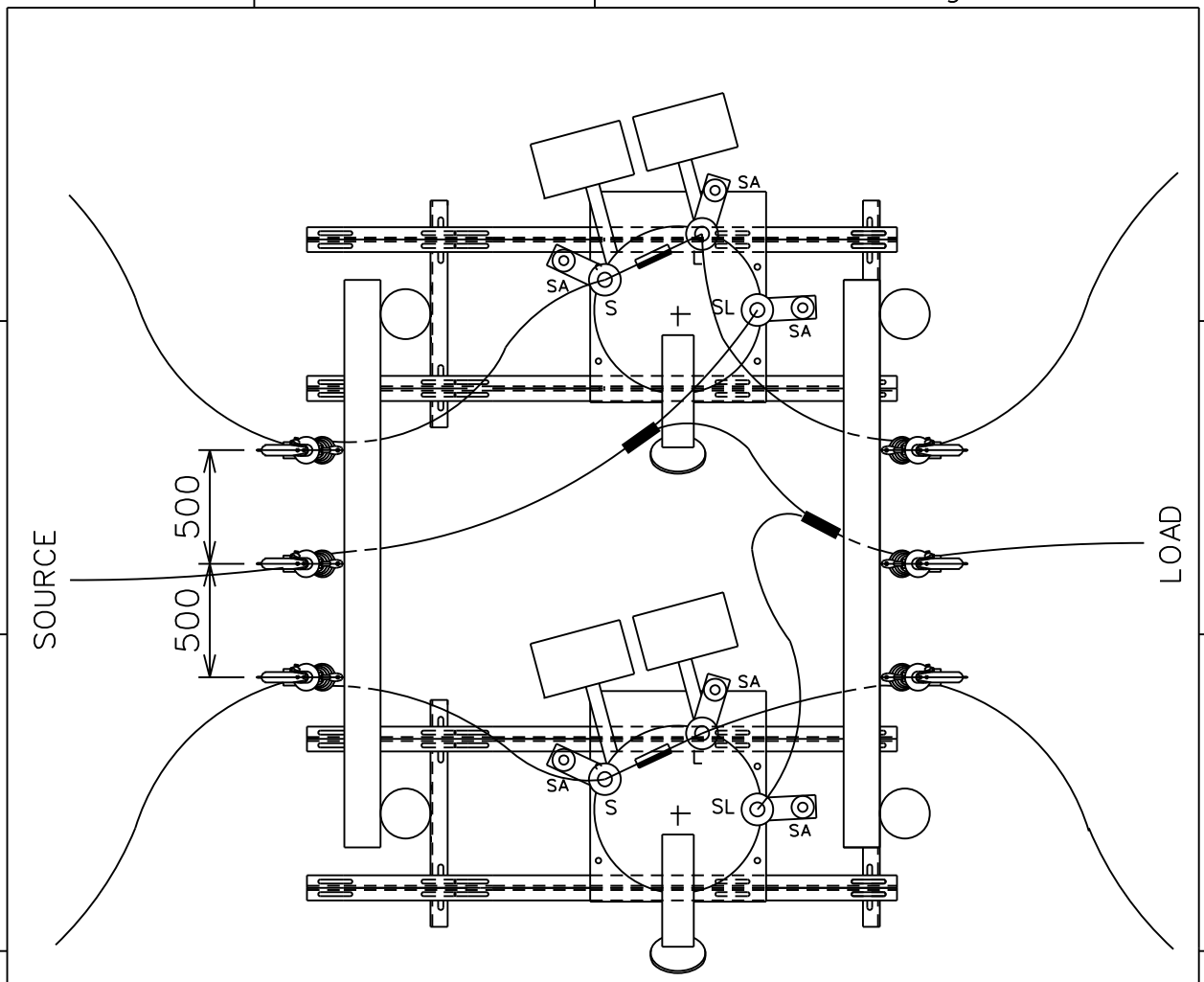
NOTE :

- S.A. - STATION CLASS SURGE ARRESTORS
SEE DRAWINGS D-DT-6215 AND 6216.
- MAXIMUM PERMISSIBLE LOAD PER SUPPORT PLATFORM = 3500kg.
- ACCORDING TO REPORT 240-100 991892
(COPPER CLAD STEEL CONDUCTOR FOR EARTHING)
IN HIGH THEFT AREAS, COPPER TO BE
REPLACED WITH COPPER CLAD STEEL:
SAP NUMBER 0175491 FROM DDT 3137.

REV	REVISION DESCRIPTION	BY	CHKD	AUTH	DATE	PROJECT NO.
4	NOTE 3 ADDED RE COPPER CLAD	P.A.T.	B. HILL	B. HILL	22.07.2016	
3	RETICULATION REMOVED FROM TITLE BLOCK	N.M.	P.A.T.	P.A.T.	12.10.2009	
2	VARIOUS CHANGED DONE, ANTI-CLIMBING AND DANGER SIGNS ADDED	P.A.V.	R.THERON	R.THERON	06.06.2003	

		MV VOLTAGE REGULATOR 11/22kV 100/200 AMP OPEN DELTA (GENERAL ARRANGEMENT)			
AUTH:	P.CROWDY	D-DT-1830	SET	SHEET	REVISION
DATE:	06/12/2000		6	1	4
CHKD:	R.THERON				
DATE:	06/12/2000				
DRAWN:	P.VERMAAK				
DATE:	05/09/2000				

(SCALE 1:40)



TOP VIEW
SECTION A-A

NOTE :
MAINTAIN A MIN. PHASE TO PHASE JUMPER
CLEARANCE OF 430mm.

4	NOTE 3 ADDED RE COPPER CLAD	P.A.T.	B. HILL	B. HILL	22.07.2016	
3	RETICULATION REMOVED FROM TITLE BLOCK	N.M.	P.A.T.	P.A.T.	12.10.2009	
2	VARIOUS CHANGED DONE, ANTI-CLIMBING AND DANGER SIGNS ADDED	P.A.V.	R.THERON	R.THERON	06.06.2003	
REV	REVISION DESCRIPTION	BY	CHKD	AUTH	DATE	PROJECT NO.

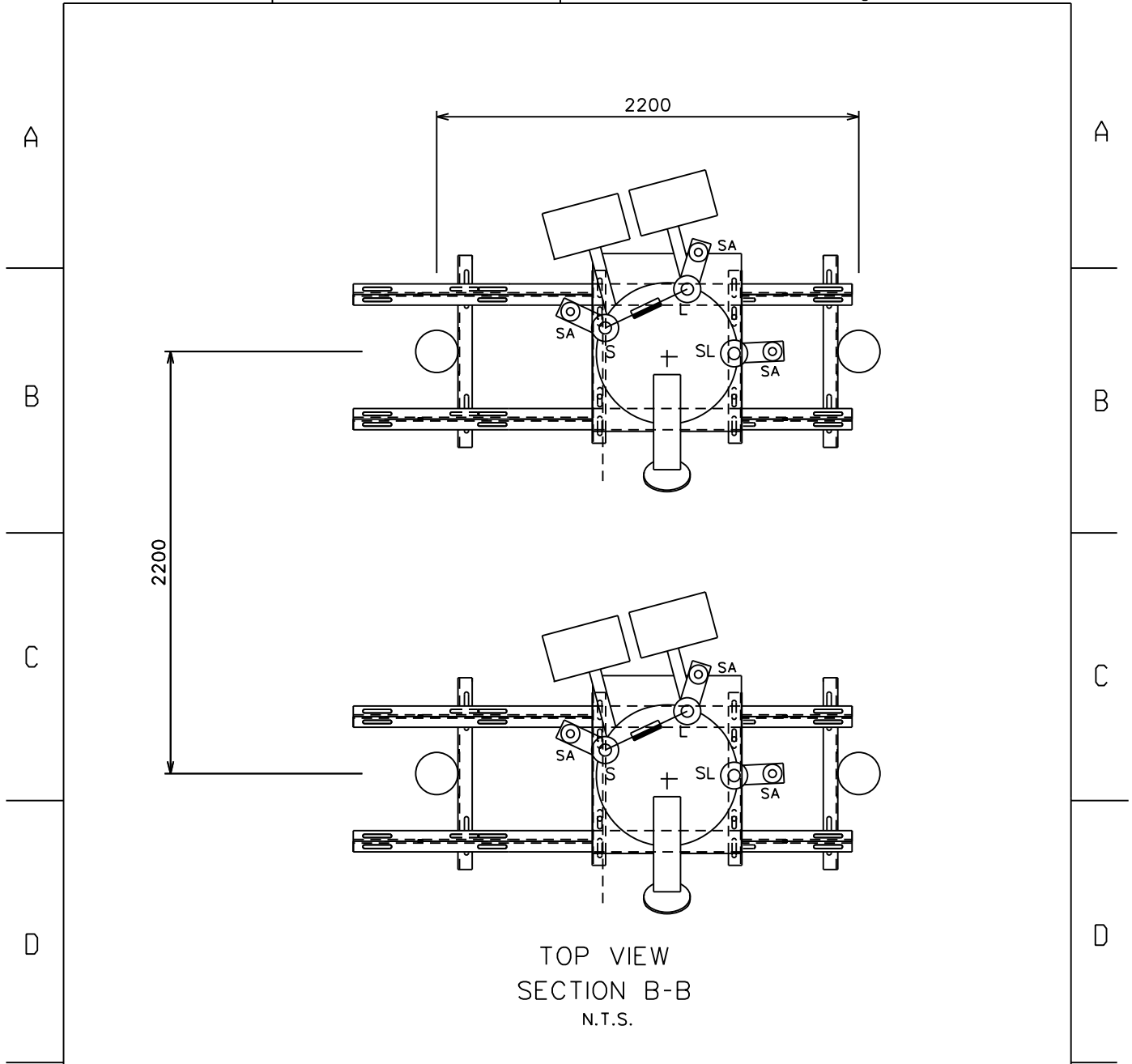


MV VOLTAGE REGULATOR
11/22kV 100/200 AMP OPEN DELTA
(TOP VIEW SECTION A-A)

AUTH:	P.CROWDY
DATE:	06/12/2000
CHKD:	R.THERON
DATE:	06/12/2000
DRAWN:	P.VERMAAK
DATE:	05/09/2000

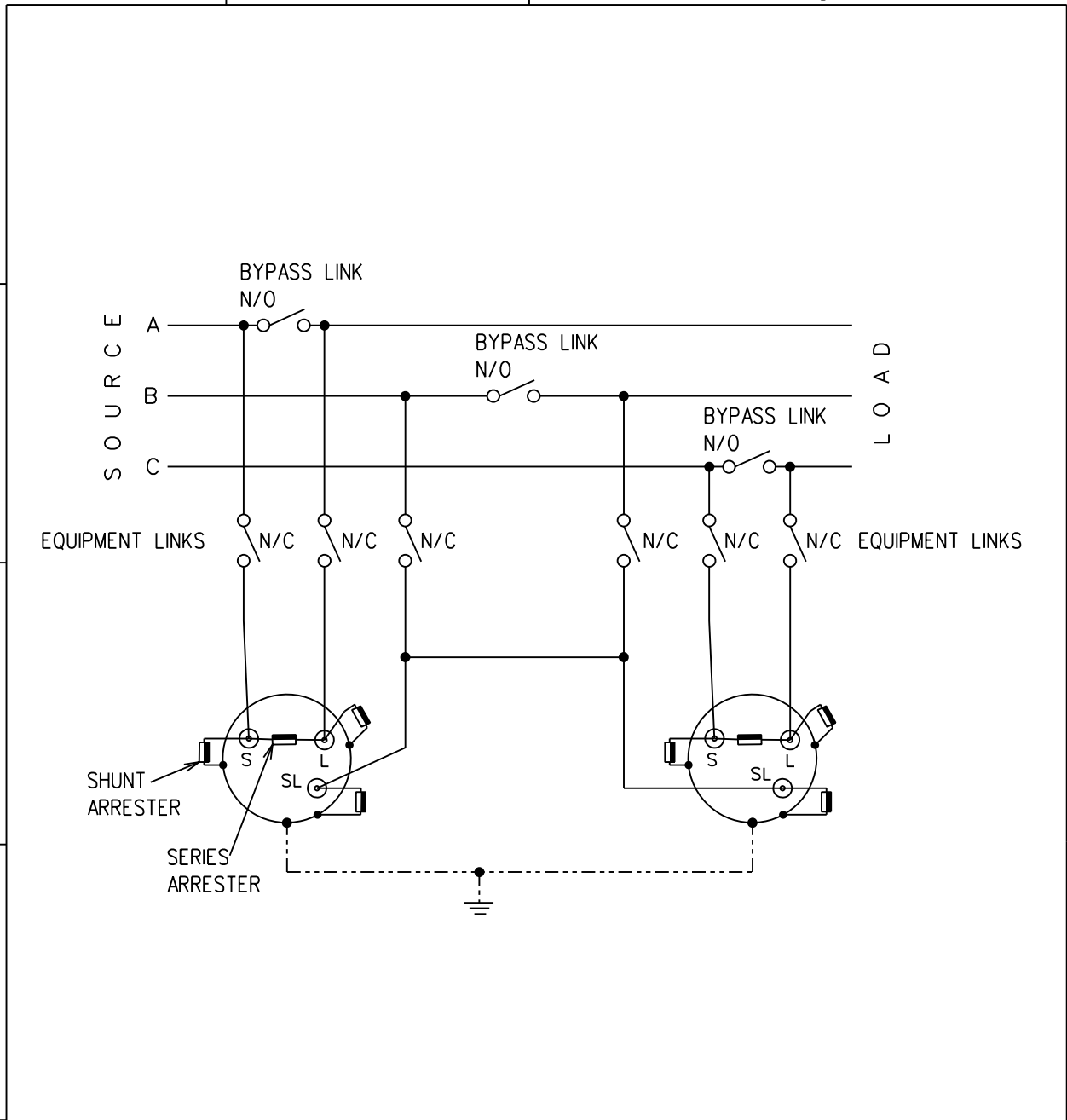
D-DT-1830

SET	SHEET	REVISION
6	2	4



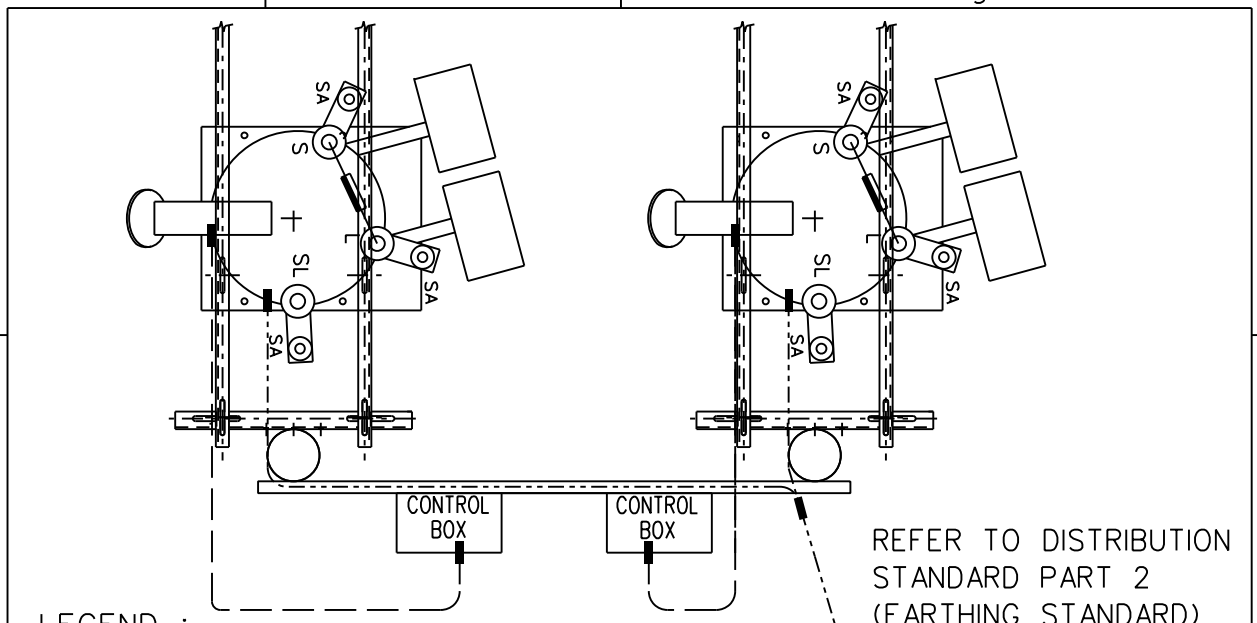
4	NOTE 3 ADDED RE COPPER CLAD	P.A.T.	B. HILL	B. HILL	22.07.2016	
3	RETICULATION REMOVED FROM TITLE BLOCK	N.M.	P.A.T.	P.A.T.	12.10.2009	
2	VARIOUS CHANGED DONE, ANTI-CLIMBING AND DANGER SIGNS ADDED	P.A.V.	R.THERON	R.THERON	06.06.2003	
REV	REVISION DESCRIPTION	BY	CHKD	AUTH	DATE	PROJECT NO.

		MV VOLTAGE REGULATOR 11/22kV 100/200 AMP OPEN DELTA (TOP VIEW SECTION B-B)				
AUTH: P.CROWDY		D-DT-1830				
DATE: 06/12/2000						
CHKD: R.THERON						
DATE: 06/12/2000						
DRAWN: P.VERMAAK						
DATE: 05/09/2000						
		SET	SHEET	REVISION		
		6	3	4		



4	NOTE 3 ADDED RE COPPER CLAD	P.A.T.	B. HILL	B. HILL	22.07.2016	
3	RETICULATION REMOVED FROM TITLE BLOCK	N.M.	P.A.T.	P.A.T.	12.10.2009	
2	VARIOUS CHANGED DONE, ANTI-CLIMBING AND DANGER SIGNS ADDED	P.A.V.	R.THERON	R.THERON	06.06.2003	
REV	REVISION DESCRIPTION	BY	CHKD	AUTH	DATE	PROJECT NO.

		MV VOLTAGE REGULATOR 11/22kV 100/200 AMP OPEN DELTA (SCHEMATIC DIAGRAM)				
AUTH: P.CROWDY		D-DT-1830				
DATE: 06/12/2000						
CHKD: R.THERON						
DATE: 06/12/2000						
DRAWN: P.VERMAAK						
DATE: 05/09/2000						
		SET	SHEET	REVISION		
		6	4	4		



LEGEND :

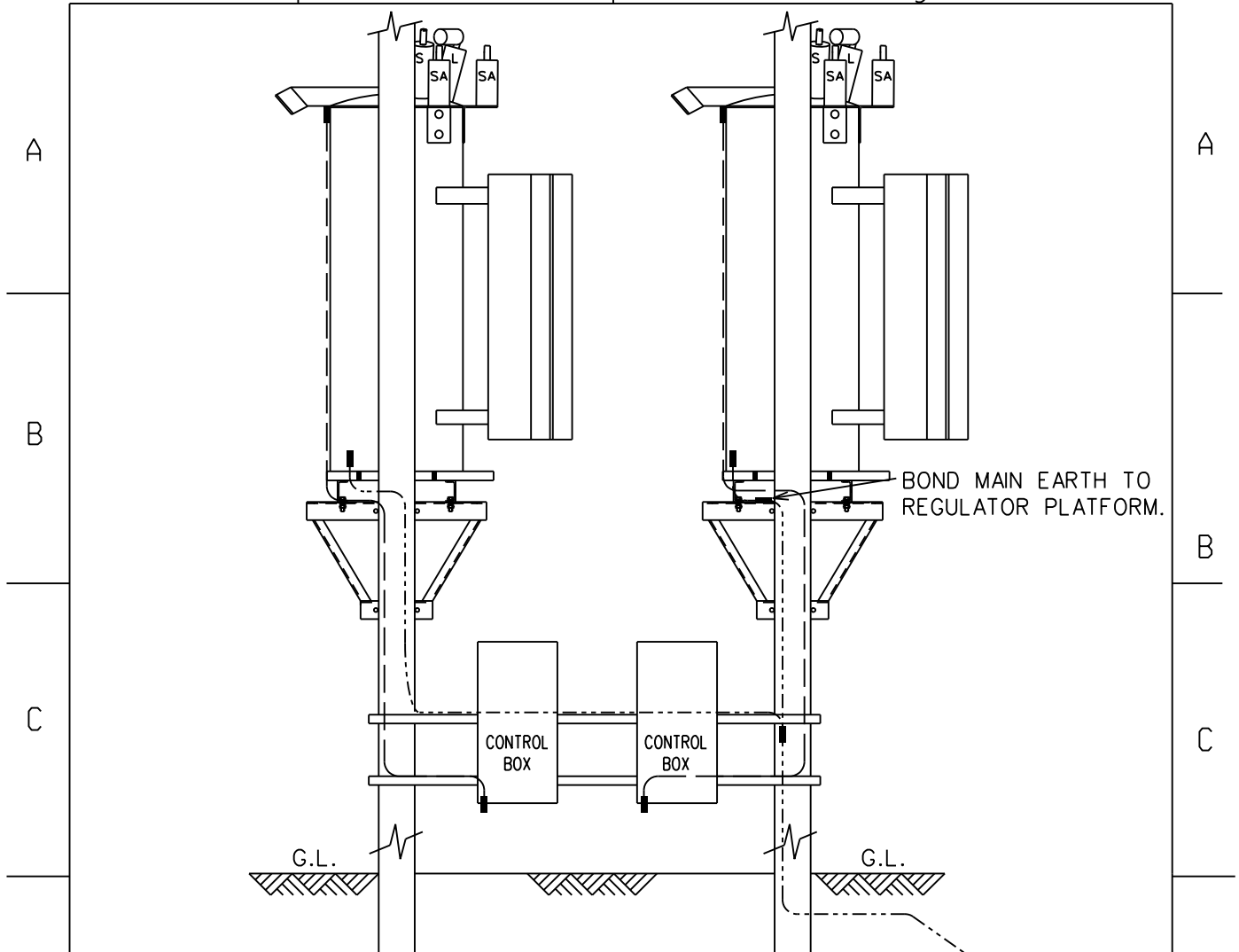
- 16mm SQ. INSULATED EARTH
- - - - - CONTROL CABLE

NOTE :

- * BOND ARMOURING OF CONTROL CABLE TO THE REGULATOR AND TO THE CONTROL BOX.
- * THE REGULATOR TANKS MUST BE BONDED TOGETHER AND CONNECTED TO A SINGLE EARTH ELECTRODE WITH ONE LEAD ROUTED DOWN ONE OF THE POLES.
- * THE CONTROL CABLE AND INSULATED EARTH SHOULD BE ROUTED TOGETHER WHEREVER POSSIBLE AND THE DISTANCE BETWEEN THE TWO SHOULD NOT EXCEED 200mm.
- * ACCORDING TO REPORT 240-100 991892 (COPPER CLAD STEEL CONDUCTOR FOR EARTHING) IN HIGH THEFT AREAS, COPPER TO BE REPLACED WITH COPPER CLAD STEEL: SAP NUMBER 0175491 FROM DDT 3137.

4	NOTE 3 ADDED RE COPPER CLAD	P.A.T.	B. HILL	B. HILL	22.07.2016	
3	RETICULATION REMOVED FROM TITLE BLOCK	N.M.	P.A.T.	P.A.T.	12.10.2009	
2	VARIOUS CHANGED DONE, ANTI-Climbing AND DANGER SIGNS ADDED	P.A.V.	R.THERON	R.THERON	06.06.2003	
REV	REVISION DESCRIPTION	BY	CHKD	AUTH	DATE	PROJECT NO.

		MV VOLTAGE REGULATOR 11/22kV 100/200 AMP OPEN DELTA (EARTHING LAYOUT - TOP VIEW)				
AUTH: P.CROWDY		D-DT-1830				
DATE: 06/12/2000						
CHKD: R.THERON						
DATE: 06/12/2000						
DRAWN: P.VERMAAK						
DATE: 05/09/2000						
		SET	SHEET	REVISION		
		6	5	4		



LEGEND :
 - - - - - 16mm SQ. INSULATED EARTH
 - - - - - CONTROL CABLE

NOTE:
 ACCORDING TO REPORT 240-100 991892
 (COPPER CLAD STEEL CONDUCTOR FOR EARTHING)
 IN HIGH THEFT AREAS, COPPER TO BE
 REPLACED WITH COPPER CLAD STEEL:
 SAP NUMBER 0175491 FROM DDT 3137.

REFER TO DISTRIBUTION
 STANDARD PART 2
 (EARTHING STANDARD)

4	NOTE 3 ADDED RE COPPER CLAD	P.A.T.	B. HILL	B. HILL	22.07.2016	
3	RETICULATION REMOVED FROM TITLE BLOCK	N.M.	P.A.T.	P.A.T.	12.10.2009	
REV	REVISION DESCRIPTION	BY	CHKD	AUTH	DATE	PROJECT NO.



AUTH: P.CROWDY
 DATE: 06/12/2000
 CHKD: R.THERON
 DATE: 06/12/2000
 DRAWN: P.VERMAAK
 DATE: 05/09/2000

MV VOLTAGE REGULATOR
 11/22kV 100/200 AMP OPEN DELTA
 (EARTHING LAYOUT - FRONT VIEW)

D-DT-1830

SET	SHEET	REVISION
6	6	4