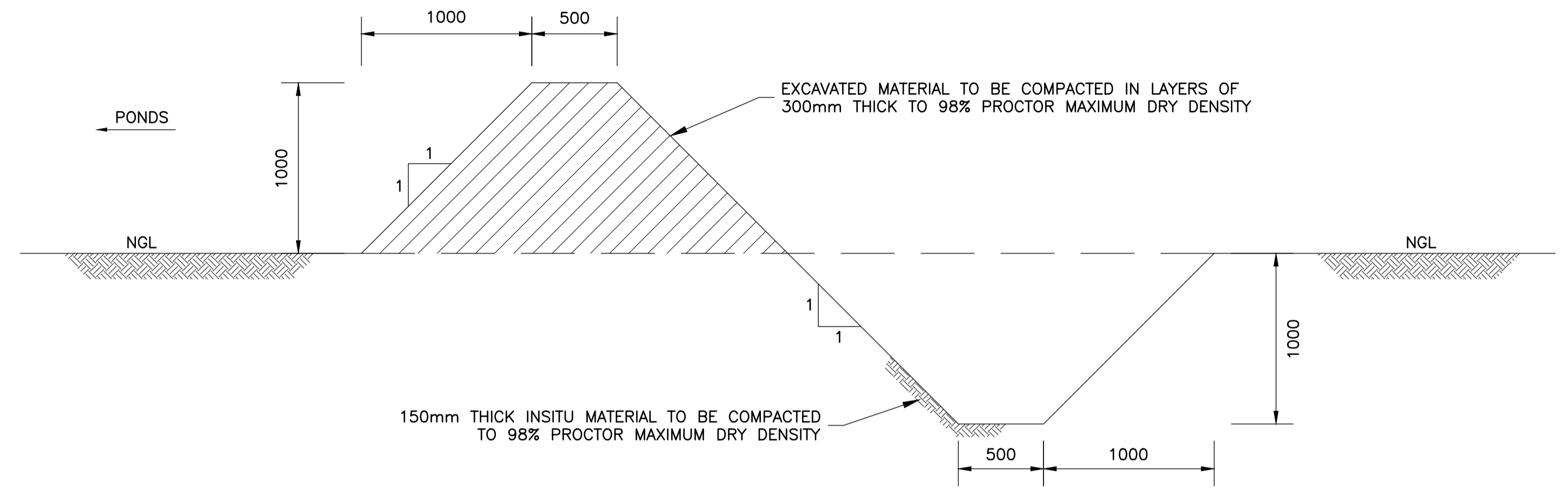
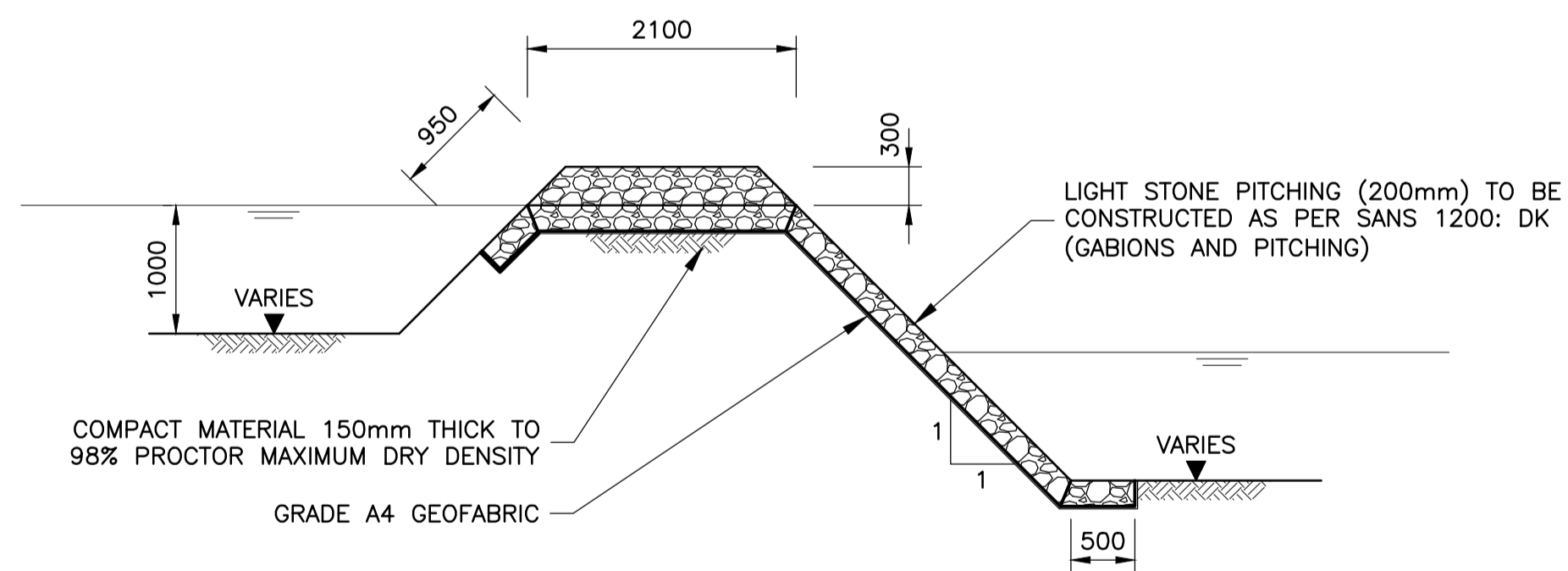


**SECONDARY POND
TYPICAL SECTION B-B**
SCALE 1:50

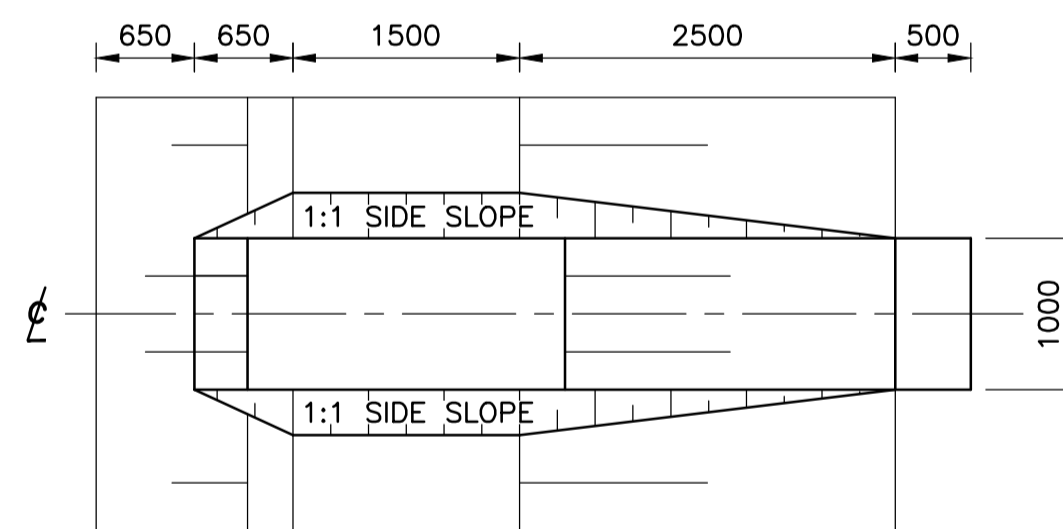


**STORMWATER CHANNEL
TYPICAL SECTION**
SCALE 1:25

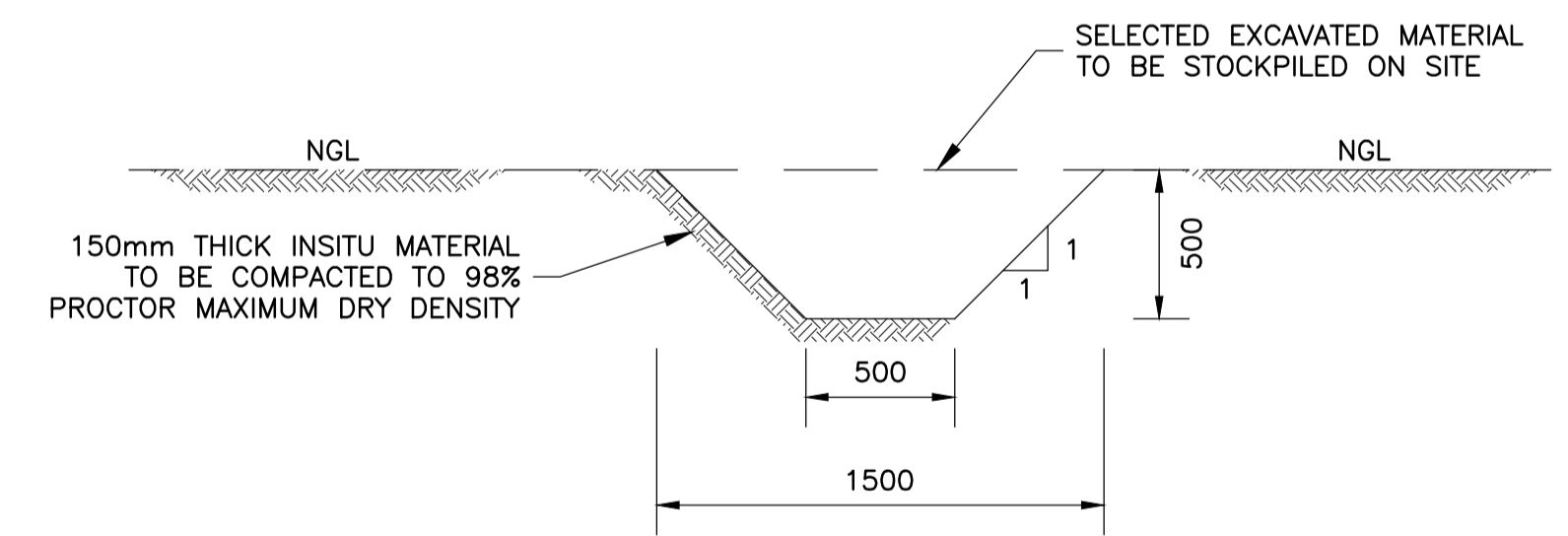


TYPICAL SECTION

SECONDARY POND OVERFLOW STRUCTURE
SCALE 1:50



PLAN



**EFFLUENT CHANNEL
TYPICAL SECTION**
SCALE 1:25

DO NOT SCALE

REV	DR	CH	DATE	REVISIONS	REFERENCE DRAWINGS	NOTES	Datum: WGS 84
0	BRAD	MEIR	26-05-2016	ISSUED FOR CONSTRUCTION	501573 - 100 LAYOUT AND SETTING-OUT DETAILS		Projection: UTM
							Central Meridian / Zone: Lo 23
							Copyright All drawings enjoy copyright protection which vests in SRK Consulting, unless otherwise agreed in writing. Drawings may not be reproduced or transmitted in any form or by any means whatsoever to any person without the written permission of the copyright holder.

srk consulting

BAY SUITES
1A Hurmeewood Road
Humeral
6001 Port Elizabeth

PO Box 21842
Port Elizabeth
6000 South Africa

e-Mail: portelizabeth@srk.co.za
www.srk.co.za

Tel: +27 (0) 41 509 4800
Fax: +27 (0) 41 509 4850

CESA
Consulting Engineers South Africa

TITLE		EVAPORATION PONDS	
		SECTIONS AND DETAILS	
CLIENT		GRANOR PASSI	

FOR CONSTRUCTION

REGISTERED ENGINEER APPROVAL

NAME: **MJ MEIRING** NUMBER: **200870009**

SRK Consulting - Certified Electronic Signature

DESIGNED	DATE	CHECKED
BRAD	05-04-2016	MEIR
BRAD	05-04-2016	MEIR
A1		SCALE: AS SHOWN
PROJECT No:	5015734401	DRG No:
SBU	1101	SHT
DISP	010	REV
	010	