

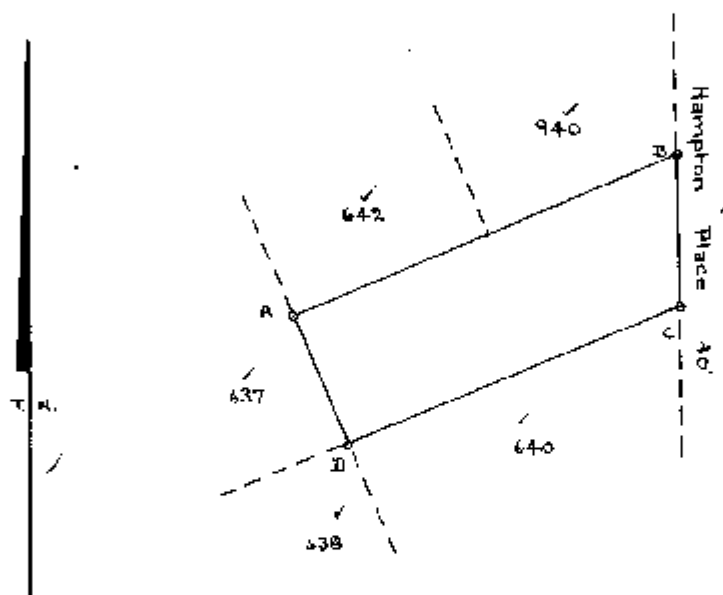
5012/1947  
REG. DIV. FU

S.G. No 2538/44

	SIDES ENGLISH FEET	ANGLES OF DIRECTION			CO-ORDINATES	
		Y	X			
AB	925.98 ✓	A	90	00	00	✓
BC	81.18 ✓	B	47	30	00	✓
CD	194.91 ✓	C	119	30	00	✓
DA	75.00 ✓	D	90	00	00	✓

Approved  
*R. L. Fisher*  
Surveyor General.  
12 SEP 1944

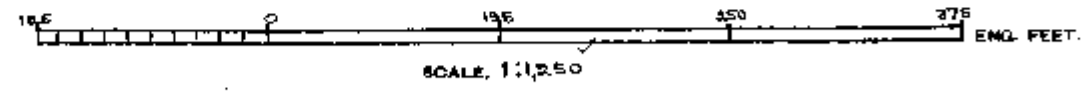
GENERAL 50x15 ✓



Reg. Div.  
FU

A, B, C, D. are 1" pipes.

Now LOT 299.5 DURBAN NORTH



The figure A. B. C. D. represents 15,783 square feet of Land being Lot 641 of Lot: 16 No 1545. situate in the City of Durban, County of Victoria, Province of Natal. Framed from a survey made by Land Surveyor H. A. Jorgensen. Surveyed in 1927 & May 1937

*R. L. Fisher*  
Land Surveyor

This diagram relates to D/T No. 5012/1947 (Sgd) J. P. Registrar of Deeds.	Original diagram is Ct. Vol. No. 34. Fol. 23. relating to Deed of Grant	File No. 1241/1 Survey Records 265-192 Tracing Degree Sheet 53 Compilation General Plan 50x15 F 37 A 1 D
	No. 1545 Plan A12	R. S. 2000 1944