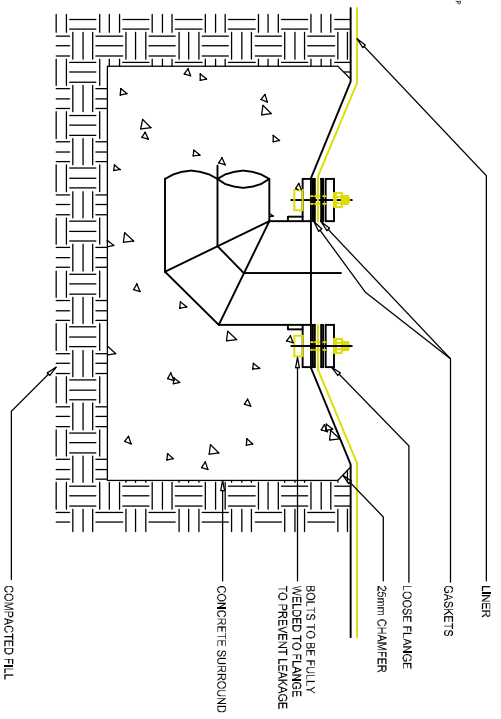
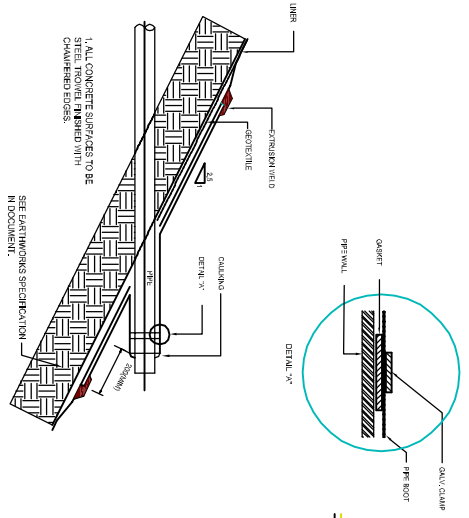
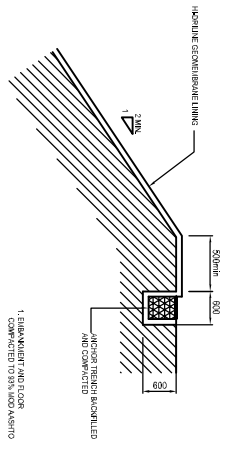
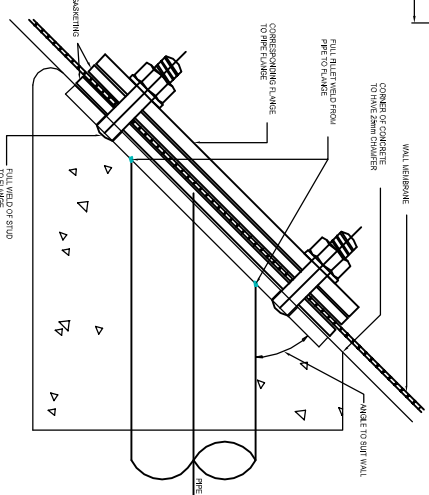
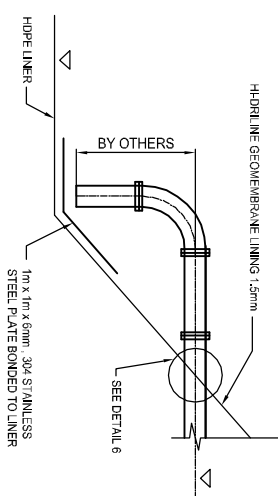
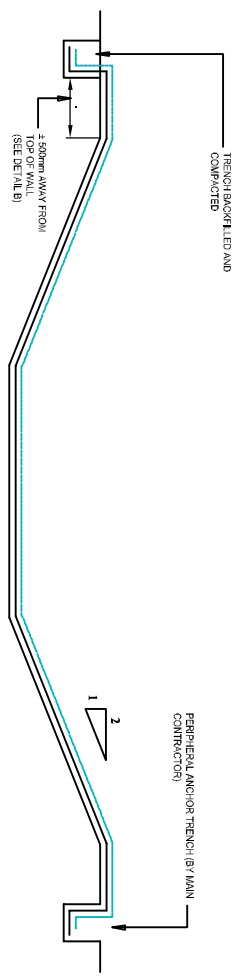


1. REFER TO THE MAIN PERIMETER CONTRACTOR DRAWING FOR SPECIFIC RESTRICTIVE AND NONRESTRICTIVE TESTS.
2. ALL SHEETS REFERRED TO BE REVIEWED.



ISSUED FOR DISCUSSION PURPOSES

No.	Amendments	Sheet No.	Appr.	Date
0	DRAWING CREATED			23/04/2024

Step	By	Check	Date
Designed			
Checked			
Drawn			
Reviewed			

ALAN ROBINSON P.Eng

12 October 2020

AMC
MINPROC
KANGALA

Client: **AMC**
MINPROC
KANGALA

Project: **PCD**
TYPICAL HDPE
DETAILS

Discipline: **PCD**
TYPICAL HDPE
DETAILS

SCALE: **N.T.S**
SHEET 4 OF SHEETS

Drawing No. **602/202**

12 Conifer
278 Waterford rd
Moorabieburg
SA 5109
Tel: (011) 775 4386
Cell: 0829 410 12 33
Fax: 089 894 6577

ALAN ROBINSON
P.Eng
12 Conifer
278 Waterford rd
Moorabieburg
SA 5109
Tel: (011) 775 4386
Cell: 0829 410 12 33
Fax: 089 894 6577