

REV	REVISION DESCRIPTION	BY	CHKD	AUTH	DATE	PROJECT NO.
1	ESKOM EMBLEM CHANGED	S. LE ROUX P.A.T.	B. BRANFIELD J. SCHOLTZ	B. BRANFIELD J. SCHOLTZ	19.11.2010	

<p><b>Eskom</b> Distribution</p> <p>AUTH: A. BEKKER</p> <p>DATE: 26/04/2002</p> <p>CHKD: B. BRANFIELD</p> <p>DATE: 16/03/2002</p> <p>DRAWN: S. LE ROUX</p> <p>DATE: 15/03/2002</p>	<p>DISTRIBUTION TECHNOLOGY</p> <p>132KV SUSPENSION X-ARM</p> <p>GENERAL ARRANGEMENT FOR</p> <p>SINGLE STEEL POLE STRUCTURE</p>				
	D-DT-7649		SET	SHEET	REVISION
	4		1	1	

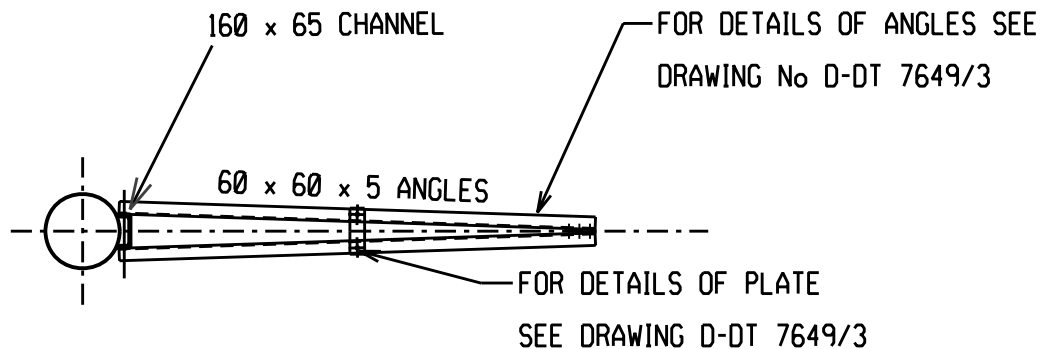
1

2

3

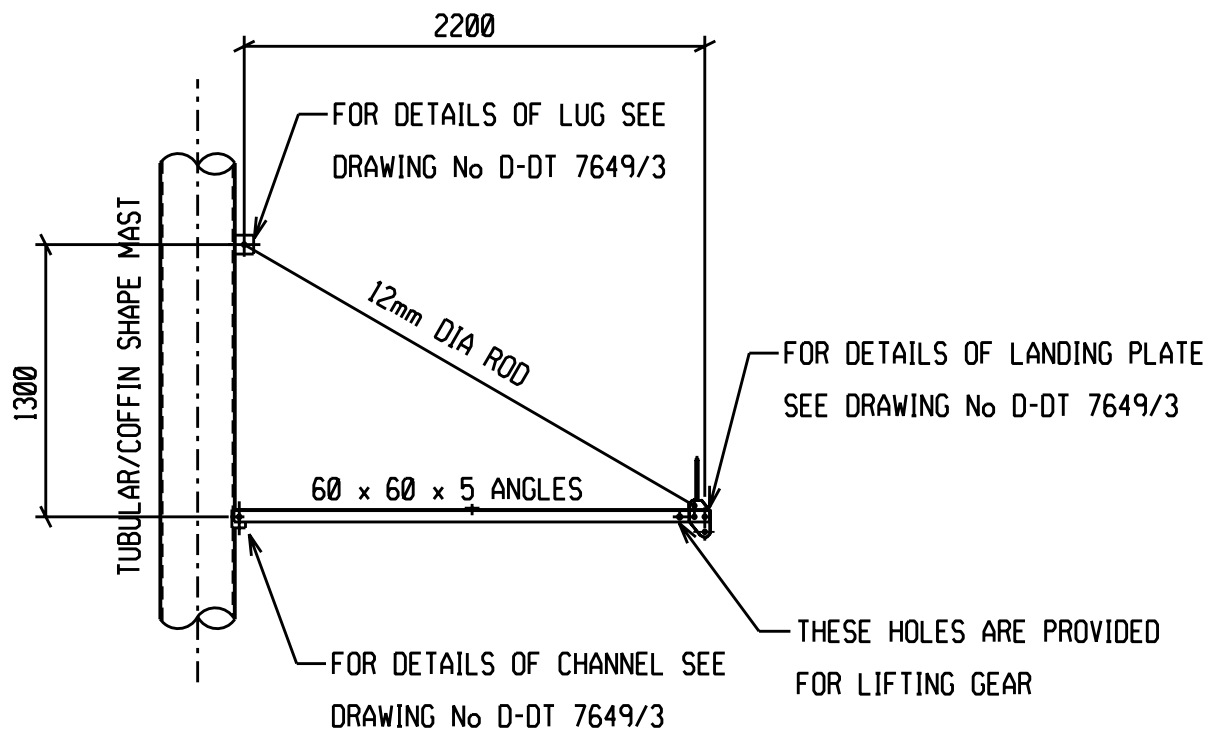
4

A



### PLAN ON CROSS ARM ANGLES

B



### ELEVATION ON CROSS ARM

NOTE:

ALL BOLTS USED TO BE  
M16 GRADE 8.8 BOLTS

1	ESKOM EMBLEM CHANGED	S. LE ROUX P.A.T.	B. BRANFIELD J. SCHOLTZ	B. BRANFIELD J. SCHOLTZ	19.11.2010	
0	FIRST ISSUE/EERSTE UITREIKING	S. LE ROUX	R. BRANFIELD			
REV	REVISION DESCRIPTION	BY	CHKD	AUTH	DATE	PROJECT NO.



## DISTRIBUTION TECHNOLOGY 132KV SUSPENSION X-ARM LAYOUT OF CROSS ARM

AUTH: R. BRANFIELD

DATE: 26/04/2002

CHKD: R. BRANFIELD

DATE: 16.03  
2002

DRAWN: S. LE ROUX

DATE: 15.03  
2002

D-DT-7649

SET

SHEET

REVISION

4

2

1

1

2

3

4 A4L

1

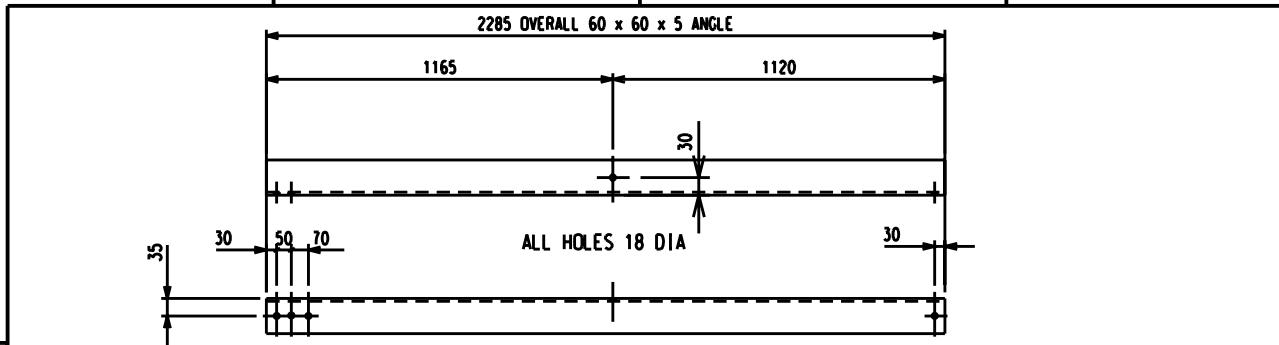
2

3

4

A

A

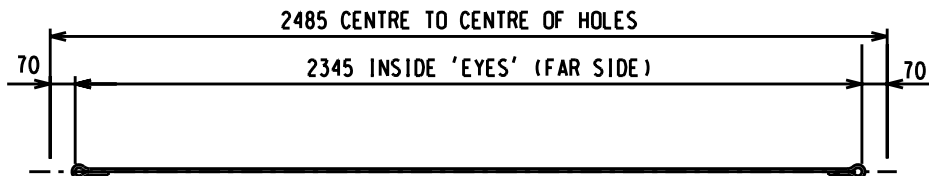


ONE ANGLE REQUIRED AS DRAWN  
ONE ANGLE REQUIRED TO OPP HAND

NOTE:  
ALL BOLTS USED  
TO BE M16 GRADE  
8.8 BOLTS

B

B

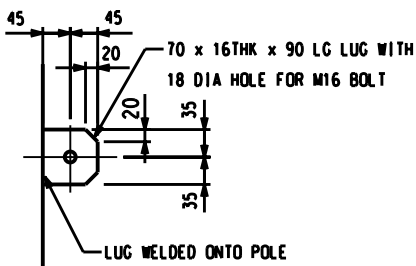


DETAIL OF 12mm DIA ROD

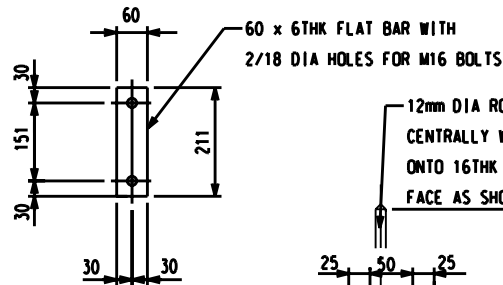
6mm FILLET WELD

C

C



DETAIL OF LUG 'L1'

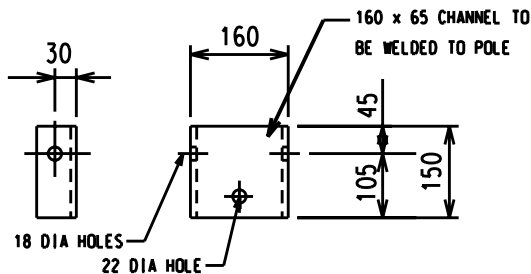


DETAIL OF PLATE 'P1'

12mm DIA ROD TO BE CENTRALLY WELDED ONTO 16THK PLATE FACE AS SHOWN

D

D



100 x 16THK x 175LG LANDING PLATE WITH 18 DIA HOLES FOR M16 BOLTS

DETAIL OF LANDING PLATE

E

E

1	ESKOM EMBLEM CHANGED	S. LE ROUX P.A.T.	B. BRANFIELD J. SCHOLTZ	B. BRANFIELD J. SCHOLTZ	19.11.2010	
0	FIRST ISSUE/EERSTE UITREIKING	S. LE ROUX	R. BRANFIELD			
REV	REVISION DESCRIPTION	BY	CHKD	AUTH	DATE	PROJECT NO.

F

F

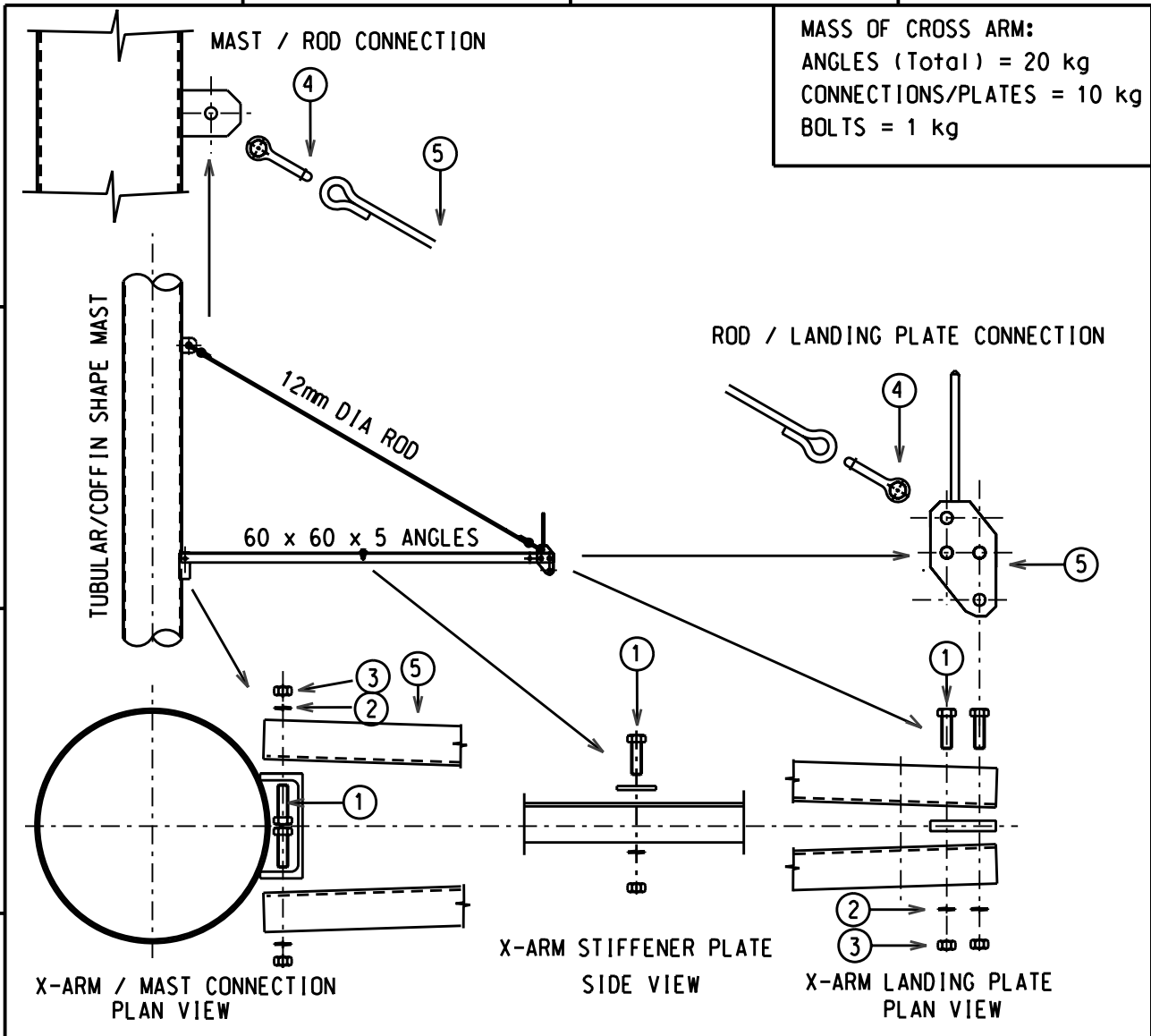
		<b>DISTRIBUTION TECHNOLOGY 132KV SUSPENSION X-ARM FABRICATION DRAWING</b>				
AUTH: R. BRANFIELD		<h1>D-DT-7649</h1>				
DATE: 26/04/2002						
CHKD: R. BRANFIELD						
DATE: 16.03 2002						
DRAWN: S. LE ROUX						
DATE: 15.03 2002		SET	SHEET	REVISION		
		4	3	1		

1

2

3

4 A4L



REF	DESCRIPTION	DRAWING NO.
1	SET SCREW, M16 x 50 LG GRADE 8.8	
2	WASHER, SPRING, M16	
3	NUT, M16	
4	SHACKLE, D 120KN	D-DT 7017
5	SUSP. ARM ASSEMB, 132KV	

REV	REVISION DESCRIPTION	BY	CHKD	AUTH	DATE	PROJECT NO.
1	ESKOM EMBLEM CHANGED	S. LE ROUX P.A.T.	B. BRANFIELD J.SCHOLTZ	B. BRANFIELD J.SCHOLTZ	19.11.2010	
0	FIRST ISSUE / EERSTE UITREIKING	S. LE ROUX	B. BRANFIELD			

	<b>DISTRIBUTION TECHNOLOGY</b> <b>132KV SUSPENSION X-ARM ASSEMBLY</b>		
	AUTH: B. BRANFIELD		
	DATE: 26/04/2002		
	CHKD: B. BRANFIELD		
	DATE: 16.03.2002		
DRAWN: S. LE ROUX	<b>D-DT-7649</b>		SET
DATE: 15.03.2002			SHEET
			REVISION
		4	4
			1