

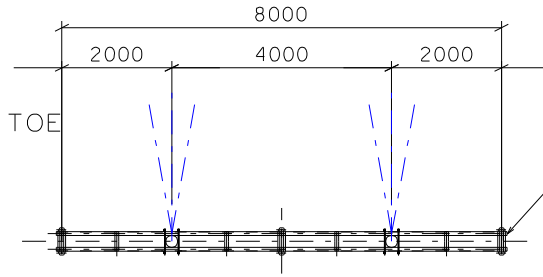
1

2

3

4

200 x 75 PFC CHANNELS TOE TO TOE FOR DETAILS SEE SHEET 2

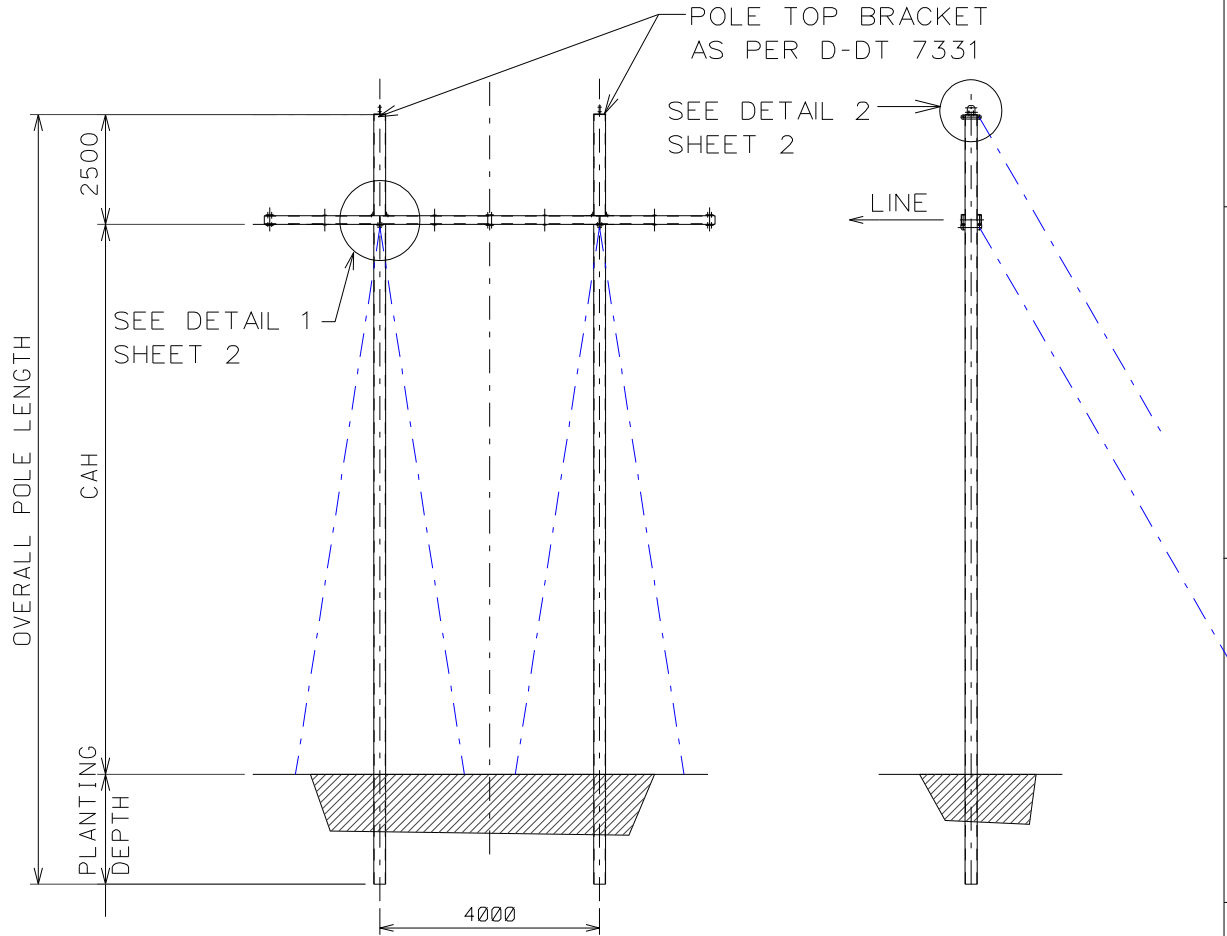


120 kN CROSS ARM CAPACITY

SEE DETAIL 3 SHEET 2

2 SHIELD WIRE STAYS
4 CROSS ARM STAYS SPLAYED

PLAN ON CROSS ARM



DETAILS OF TERMINAL STRUCTURE

| | | | | | | |
|-----|---------------------------------------|------|--------|--------|------------|-------------|
| 1 | RETICULATION REMOVED FROM TITLE BLOCK | N.M. | P.A.T. | P.A.T. | 31.01.2010 | |
| 0 | ISSUED FOR PUBLICATION | SLR | RAB | AB | FEB 2005 | |
| REV | REVISION DESCRIPTION | BY | CHKD | AUTH | DATE | PROJECT NO. |



DISTRIBUTION TECHNOLOGY
SUB-TRANSMISSION LINES

| | |
|--------|-----------|
| AUTH: | A BEKKER |
| DATE: | SEPT 2004 |
| CHKD: | RAB |
| DATE: | SEPT 2004 |
| DRAWN: | SLR |
| DATE: | SEPT 2004 |

132kV H-POLE STRUCTURES - 8m XARM
TERMINAL STRUCTURE 70-120kN RANGE

D-DT 7808

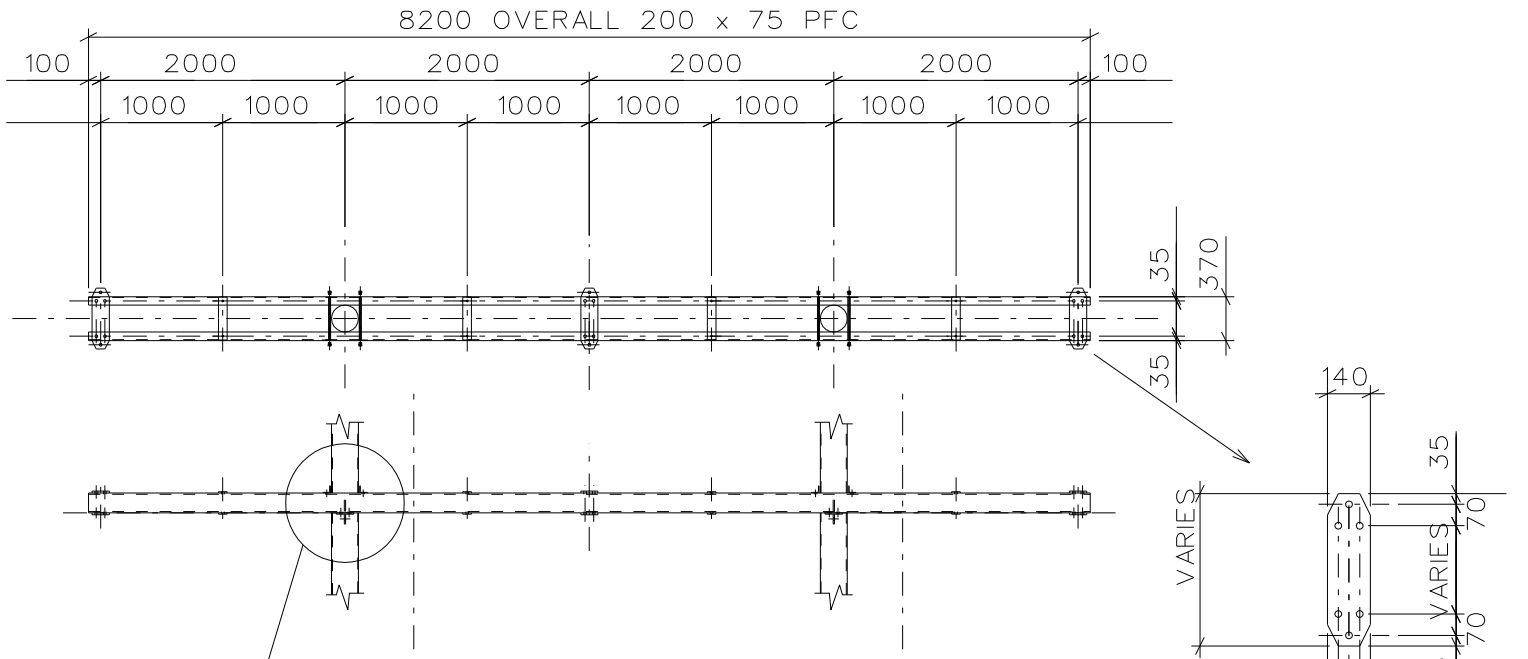
| | | |
|-----|-------|----------|
| SET | SHEET | REVISION |
| 3 | 1 | 1 |

1

2

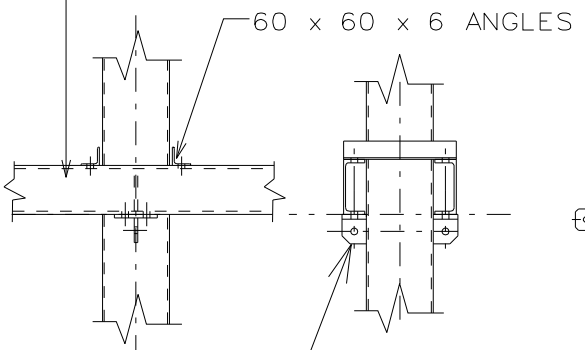
3

4 A4L

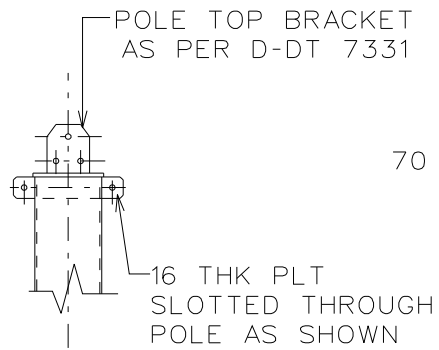


DETAILS OF CROSS ARM

200 x 75 PFC WITH 8THK STIFFS



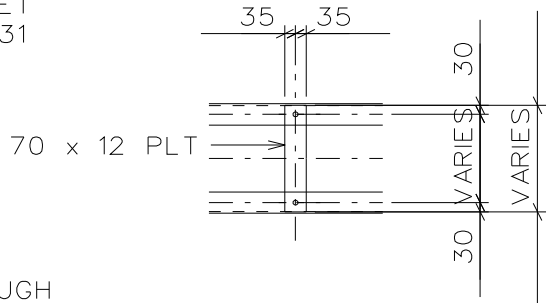
DETAIL 1



DETAIL 2

16 THK PLT 4@35

DETAIL 3



DETAIL OF TIE PLATES

| | | | | | | |
|-----|---------------------------------------|------|--------|--------|------------|-------------|
| 1 | RETICULATION REMOVED FROM TITLE BLOCK | N.M. | P.A.T. | P.A.T. | 31.01.2010 | |
| 0 | ISSUED FOR PUBLICATION | SLR | RAB | AB | FEB 2005 | |
| REV | REVISION DESCRIPTION | BY | CHKD | AUTH | DATE | PROJECT NO. |



DISTRIBUTION TECHNOLOGY
SUB-TRANSMISSION LINES

132KV H-POLE STRUCTURES - 8m XARM

TERMINAL STRUCTURE 70-120KN RANGE

| | |
|--------|-----------|
| AUTH: | A BEKKER |
| DATE: | SEPT 2004 |
| CHKD: | RAB |
| DATE: | SEPT 2004 |
| DRAWN: | SLR |
| DATE: | SEPT 2004 |

D-DT 7808

| | | | | | |
|-----|---|-------|---|----------|---|
| SET | 3 | SHEET | 2 | REVISION | 1 |
|-----|---|-------|---|----------|---|

DESIGN CRITERIA:

ALL STEEL GRADE 300W
 ALL BOLTS GRADE 8.8 BOLTS
 POLES AND CROSS ARMS TO BE SUPPLIED WITH FIXING BOLTS

| POLES USED FOR H-POLE | OVERALL HEIGHT | PLANTING DEPTH | CROSS ARM ATT HEIGHT AGL | SHIELD WIRE ATT HEIGHT AGL | CONDUCTOR ATT HEIGHT AGL |
|-----------------------|----------------|----------------|--------------------------|----------------------------|--------------------------|
| 219 x 4,5 THK CHS | 15.1 | 2.0 | 10.6 | 13.1 | 10.6 |
| 219 x 4,5 THK CHS | 16.1 | 2.0 | 11.6 | 14.1 | 11.6 |
| 219 x 4,5 THK CHS | 17.1 | 2.0 | 12.6 | 15.1 | 12.6 |
| 219 x 6,0 THK CHS | 18.2 | 2.0 | 13.7 | 16.2 | 13.7 |
| 219 x 6,0 THK CHS | 19.2 | 2.0 | 14.7 | 17.2 | 14.7 |
| 324 x 4,5 THK CHS | 20.1 | 2.0 | 15.6 | 18.1 | 15.6 |

70 TO 120kN UTS CONDUCTORS

| POLES USED FOR H-POLE | WIND SPAN | WEIGHT SPAN | ELECTRICAL SPAN |
|-----------------------|-----------|-------------|-----------------|
| 15.1 | 350 | 455 | 460 |
| 16.1 | 350 | 455 | 460 |
| 17.1 | 350 | 455 | 460 |
| 18.2 | 350 | 455 | 460 |
| 19.2 | 350 | 455 | 460 |
| 20.1 | 350 | 455 | 460 |

| | | | | | | |
|-----|---------------------------------------|------|--------|--------|------------|-------------|
| 1 | RETICULATION REMOVED FROM TITLE BLOCK | N.M. | P.A.T. | P.A.T. | 31.01.2010 | |
| 0 | ISSUED FOR PUBLICATION | SLR | RAB | AB | FEB 2005 | |
| REV | REVISION DESCRIPTION | BY | CHKD | AUTH | DATE | PROJECT NO. |



DISTRIBUTION TECHNOLOGY
 SUB-TRANSMISSION LINES

132kV H-POLE STRUCTURES - 8m XARM

TERMINAL STRUCTURE 70-120kN RANGE

| | |
|--------|-----------|
| AUTH: | A BEKKER |
| DATE: | SEPT 2004 |
| CHKD: | RAB |
| DATE: | SEPT 2004 |
| DRAWN: | SLR |
| DATE: | SEPT 2004 |

| | | | |
|-----------|-----|-------|----------|
| D-OT 7808 | SET | SHEET | REVISION |
| | 3 | 3 | 1 |

1

2

3

4 A4L