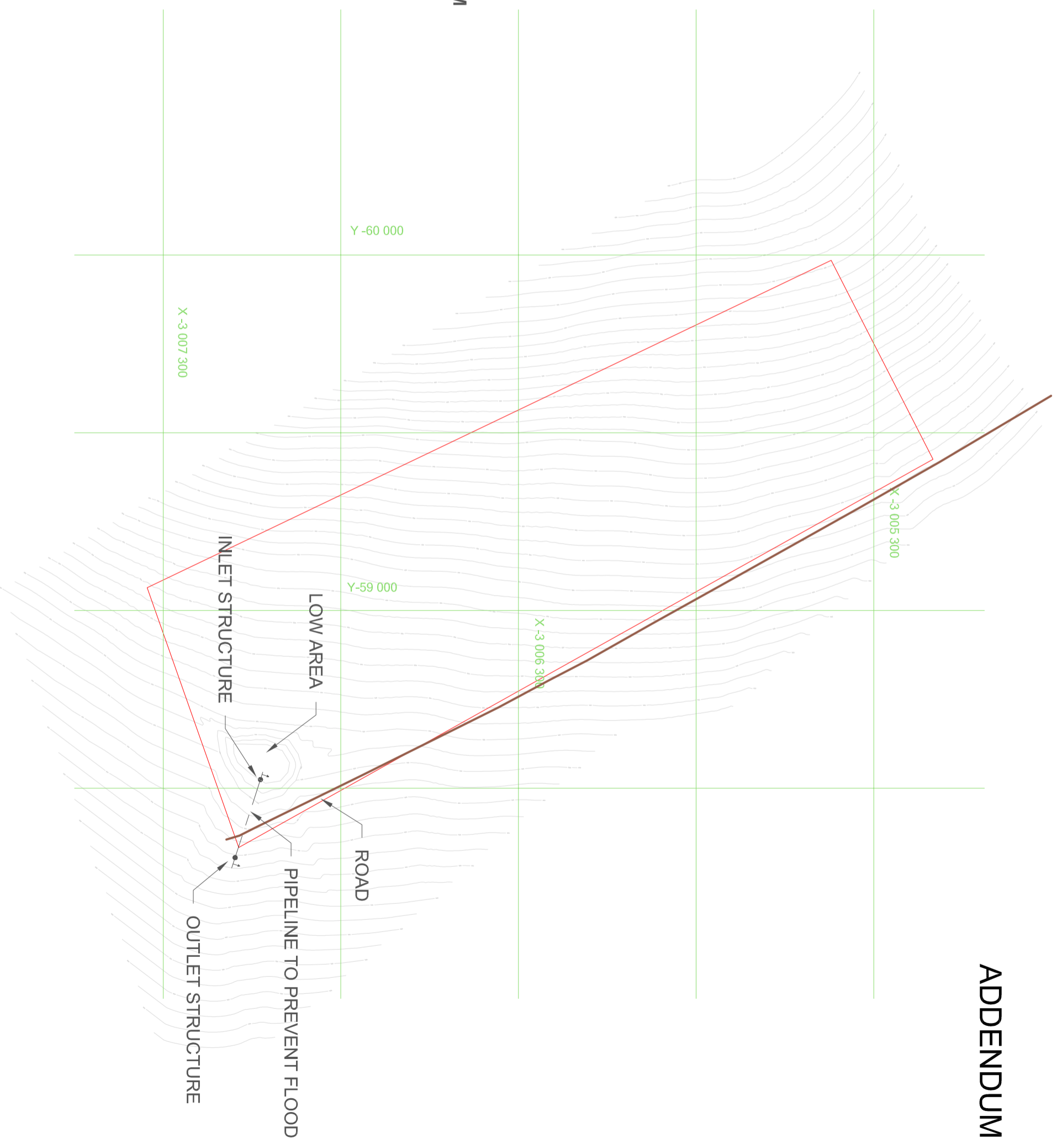



ADDENDUM B

NOTE:
**NO FLOOD LINE WILL FORM
 AS A RESULT OF THE
 PROPOSED PIPE LINE**

PROJECT BOKAMOSO PV PLANT: LEEUDORINGSTAD	DESIGNED C. J. COETZER	ENGINEER C. J. COETZER No 800339	DATE 28 JUN 2016	CWT CONSULTING 882 BEYERS STREET RIETFOONTEIN, PRETORIA 0084 TEL 083 230 8752 FAX 012 331 1033 e-mail cas52@mweb.co.za	PLAN NO.	 CWT <i>Specialists in Water Technology</i> Cas Coetzer PEng BS:Eng (Cw) JPrEng MECSA NSAICE
--	----------------------------------	---	----------------------------	---	-----------------	---

ADDENDUM B

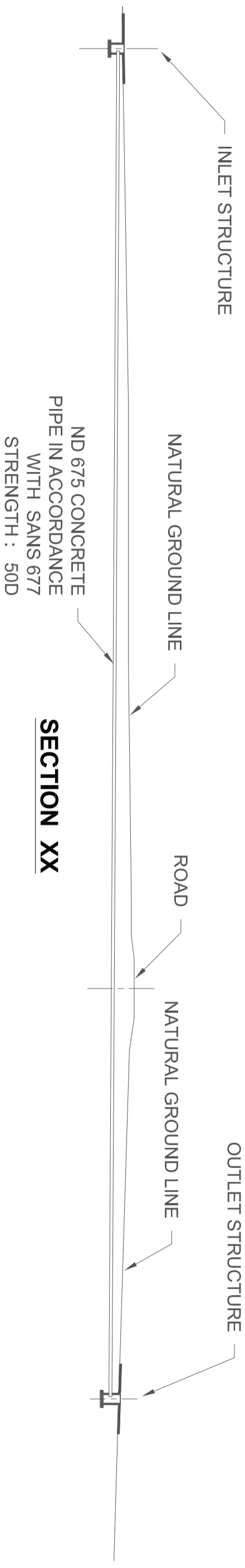


<p>PROJECT</p> <p>BOKAMOSO PV PLANT: LEEUDORINGSTAD</p>	<p>DESIGNED</p> <p>C. J. COETZER</p>	<p>ENGINEER</p> <p>C. J. COETZER No 800339</p>	<p>DATE</p> <p>28 JUN 2016</p>	<p>CWT CONSULTING 882 BEYERS STREET RIETFOONTEIN, PRETORIA 0084 TEL 083 230 8752 FAX 012 331 1033 e-mail cas52@mweb.co.za</p>	<p>PLAN NO.</p>	<p>CWT 042016/2</p>
--	---	---	---------------------------------------	--	------------------------	----------------------------

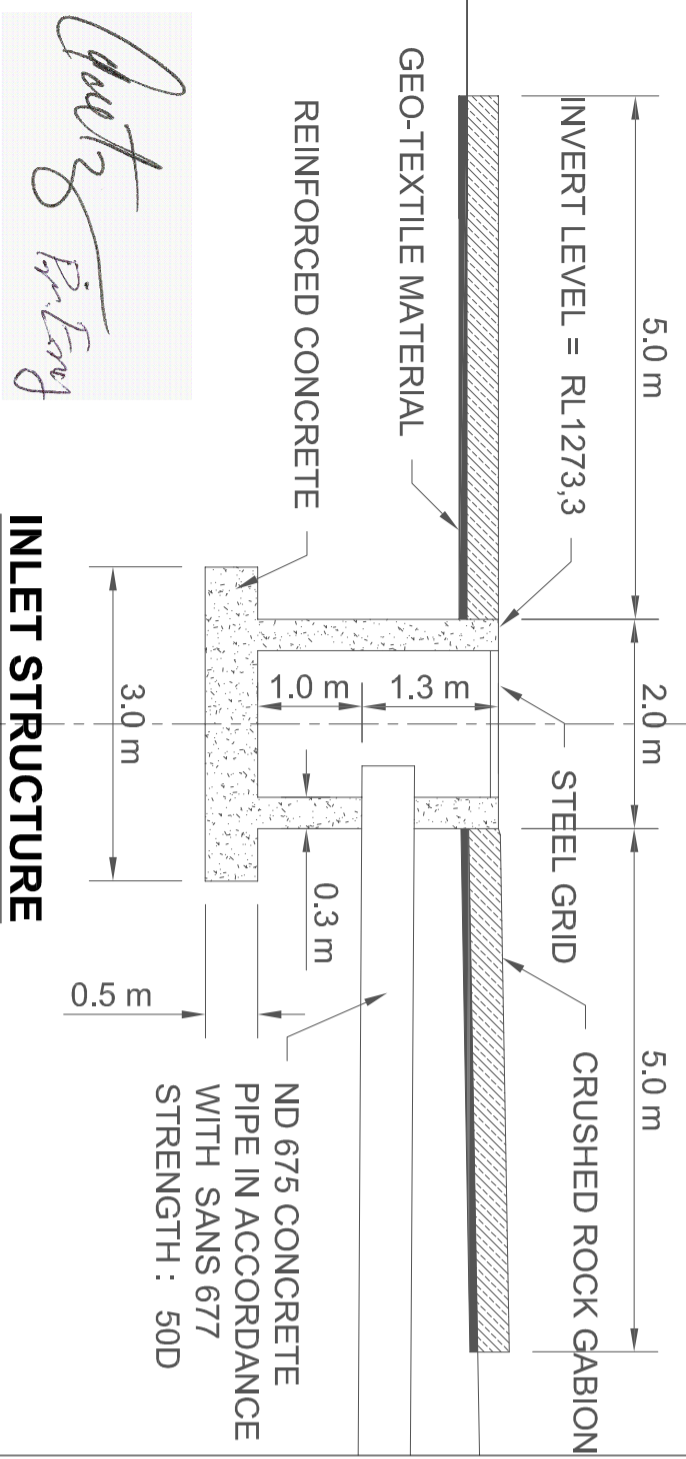


CWT *Specialist in Water Technology*
 Cas Coetzee P.Eng BSc.Eng (Cw) (Pret) MECSA NSAI/CE

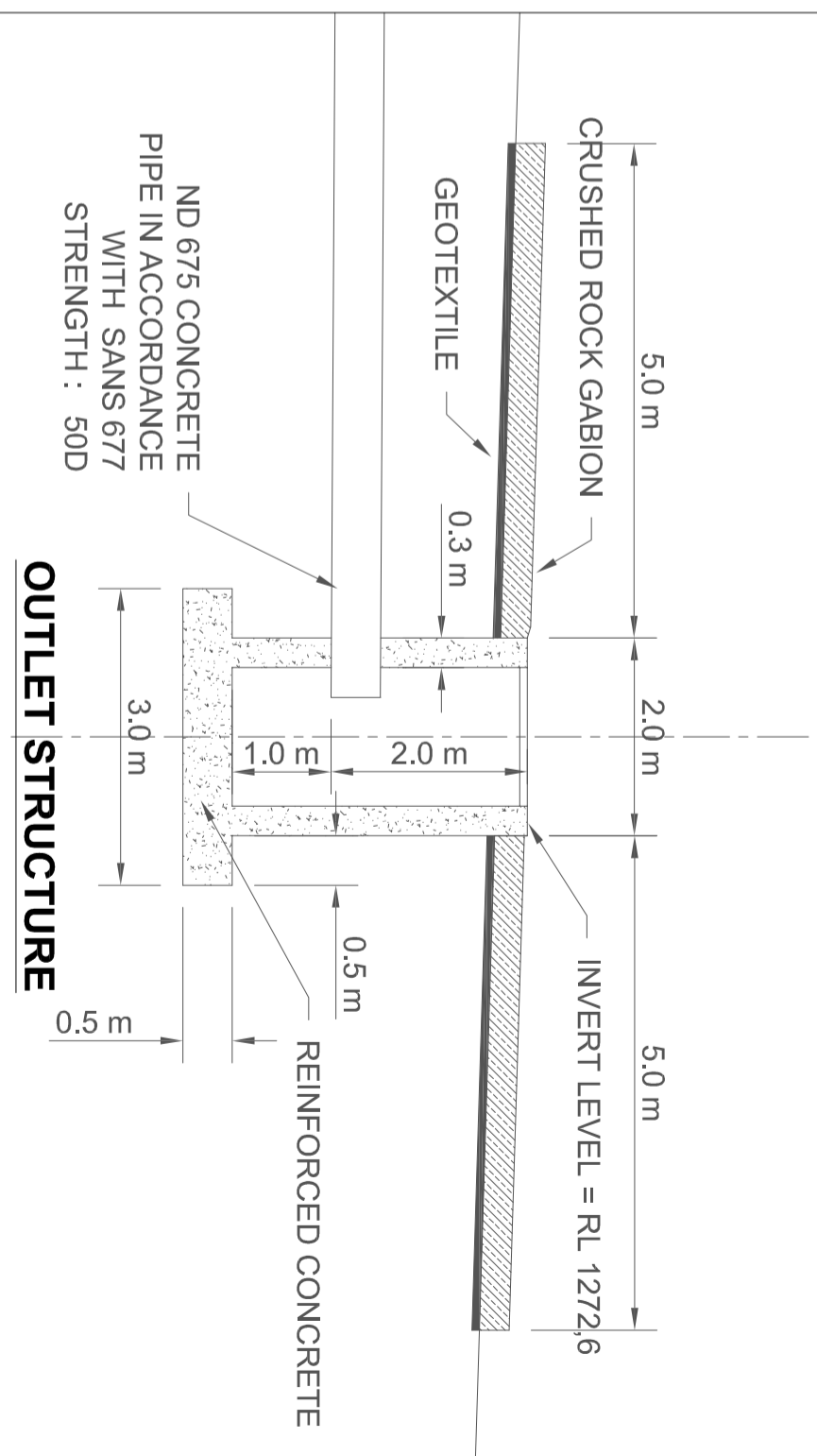
ADDENDUM B



SCALE 1 : 750 IF PLOTTED ON A3 PAPER




SCALE 1 : 75 IF PLOTTED ON A3 PAPER



SCALE 1 : 75 IF PLOTTED ON A3 PAPER

C. J. Coetzer
 C. J. Coetzer
 B.Sc. Eng

PROJECT		DESIGNED		ENGINEER		DATE		CWT CONSULTING 882 BEYERS STREET RIETFontein, Pretoria 0084 TEL 083 230 8752 FAX 012 331 1033 e-mail cas52@mweb.co.za		 CWT <i>Specialists in Water Technology</i> Cas Coetzer PhEng BSc.Eng (Civ) PhEng MESA MSACE	
BOKAMOSO PV PLANT: LEEUDORINGSTAD		C. J. COETZER		C. J. COETZER No 800339		28 JUN 2016		PLAN NO.		CWT 042016/3	