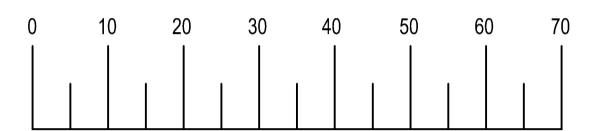

Appendix 4: FACILITY ILLUSTRATIONS



ENGINEERING UNIT
COASTAL, STORMWATER AND CATCHMENT MANAGEMENT

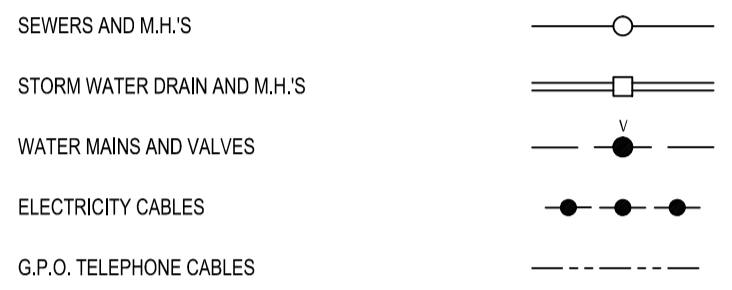
REDUCED PLAN USE SCALE BELOW



70mm ON ORIGINAL PLAN

LEGEND

EXISTING UNDERGROUND SERVICES
ARE AS SHOWN BELOW



Revision Date Description

NOTE: No construction work to commence until land and servitude acquisitions have been completed

Acquisitions completed: -

Date Engineer

UNDERGROUND SERVICES CHECKED

SERVICE	DATE	SIGNATURE
S.W. DRAINS	000000	
SEWERS	000000	
WATER MAINS	000000	
G.P.O. CABLES	000000	
ELECTRIC CABLES	000000	
S.A.R. CABLES		
E.S.C. CABLES		
OIL PIPE LINE		

NOTE: Only underground services affected by new construction work are shown.

Care must be taken during excavations for road foundations, trenches etc. to avoid damage to underground services such as sewers, drains, cables, water mains and connections. Wherever possible these must be located before work proceeds.

PQ

Contract No.

Project Title

**SOUTH BEACH ROAD
PROPOSED STORMWATER
UPGRADING**

Drawing Title

**PLAN AND LONGITUDINAL
SECTION OF PROPOSED
000mm Ø SWD**

SCALES AS SHOWN Date 20/04/2017

Designed K.C.S Checked

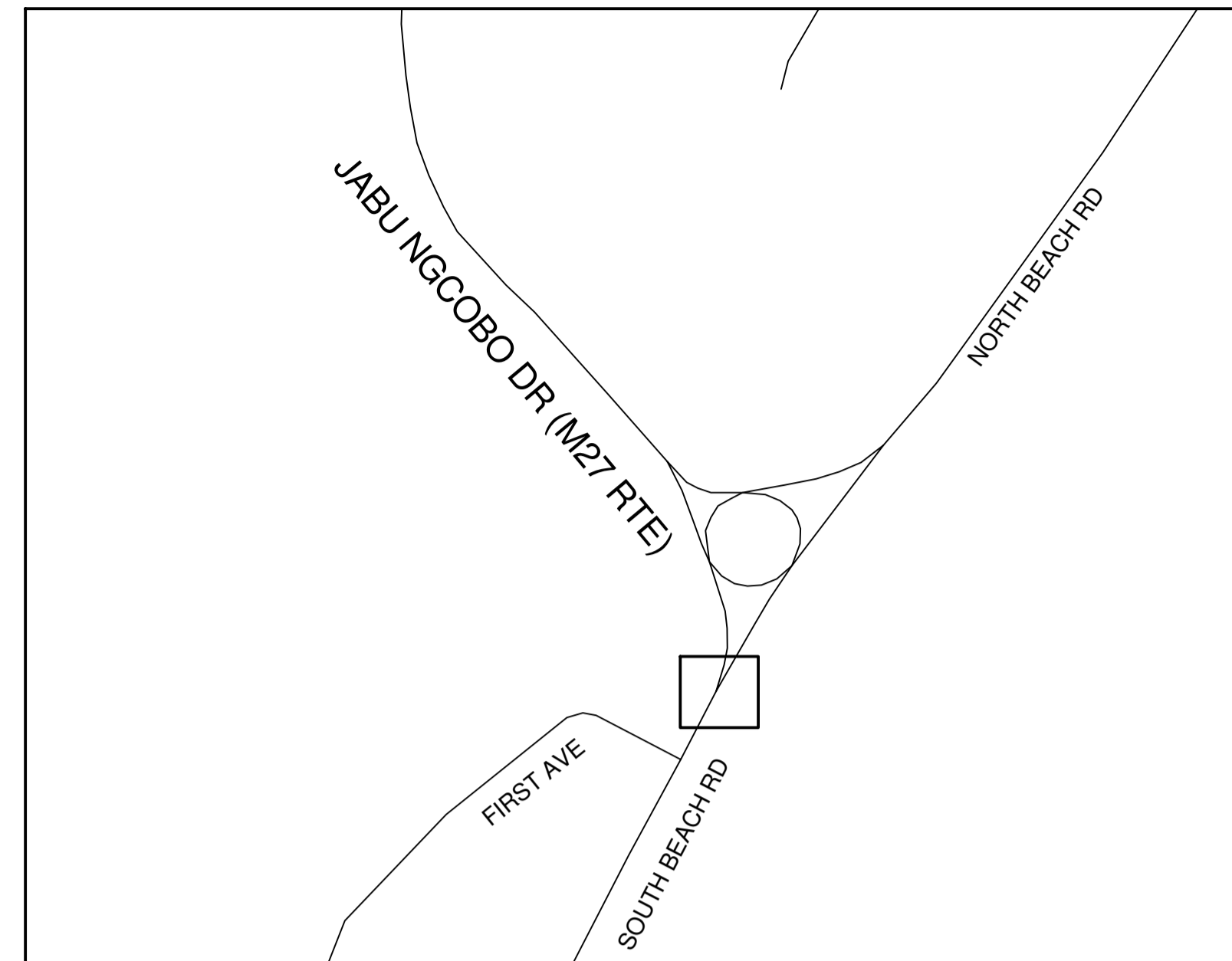
Drawn Y.P Surveyed O.O.

Manager (Stormwater Eng.)

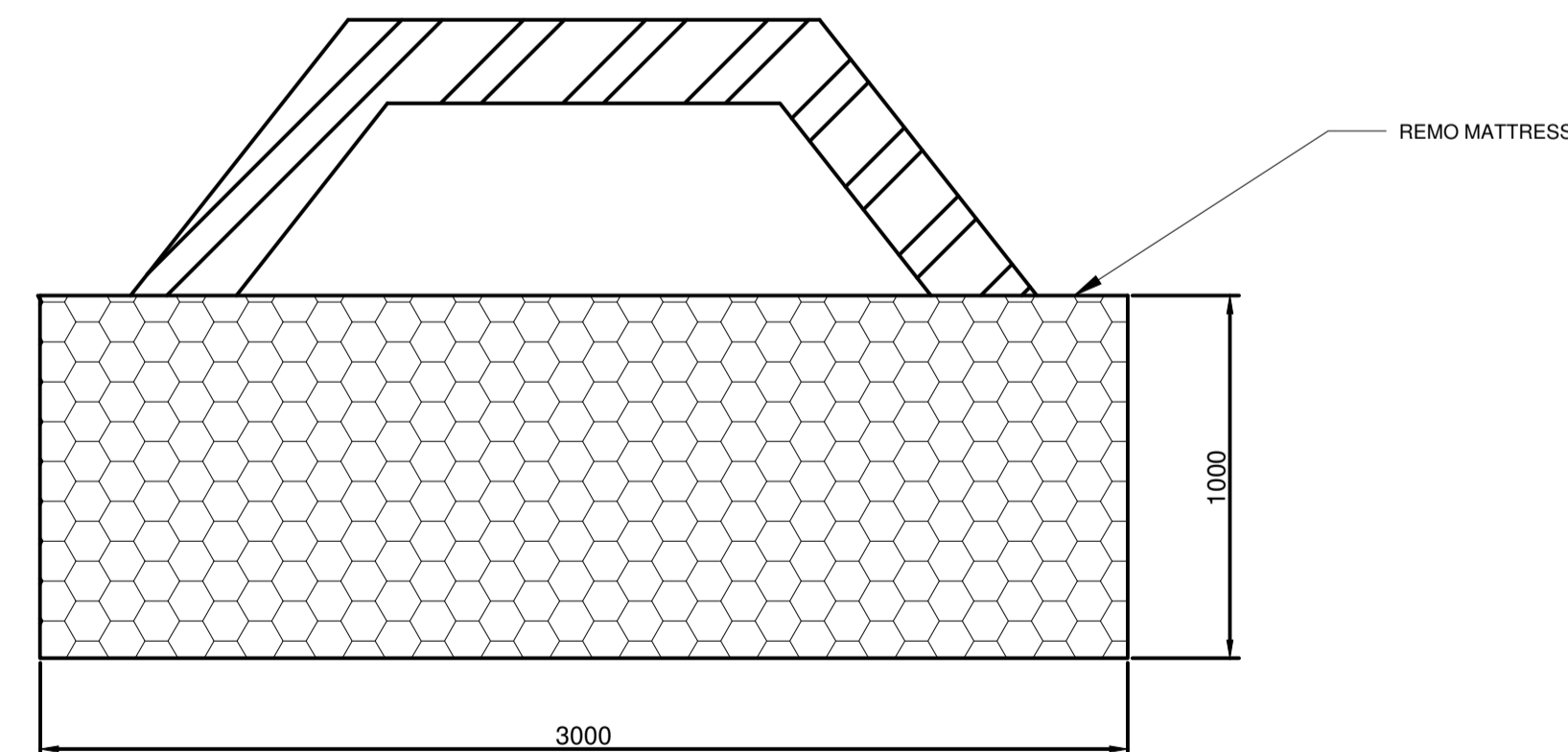
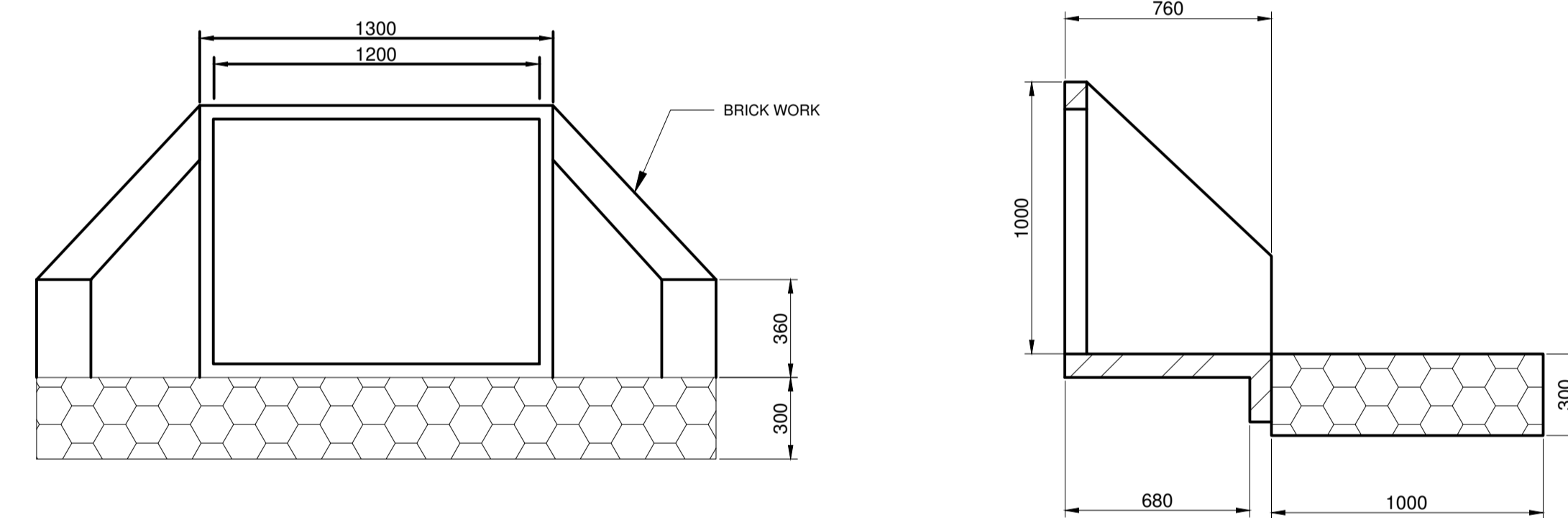
Deputy Head

G.S. EVANS HEAD : ENGINEERING

Drawing No. 48259 Sheet 1 Rev.



LOCALITY SKETCH
NOT TO SCALE

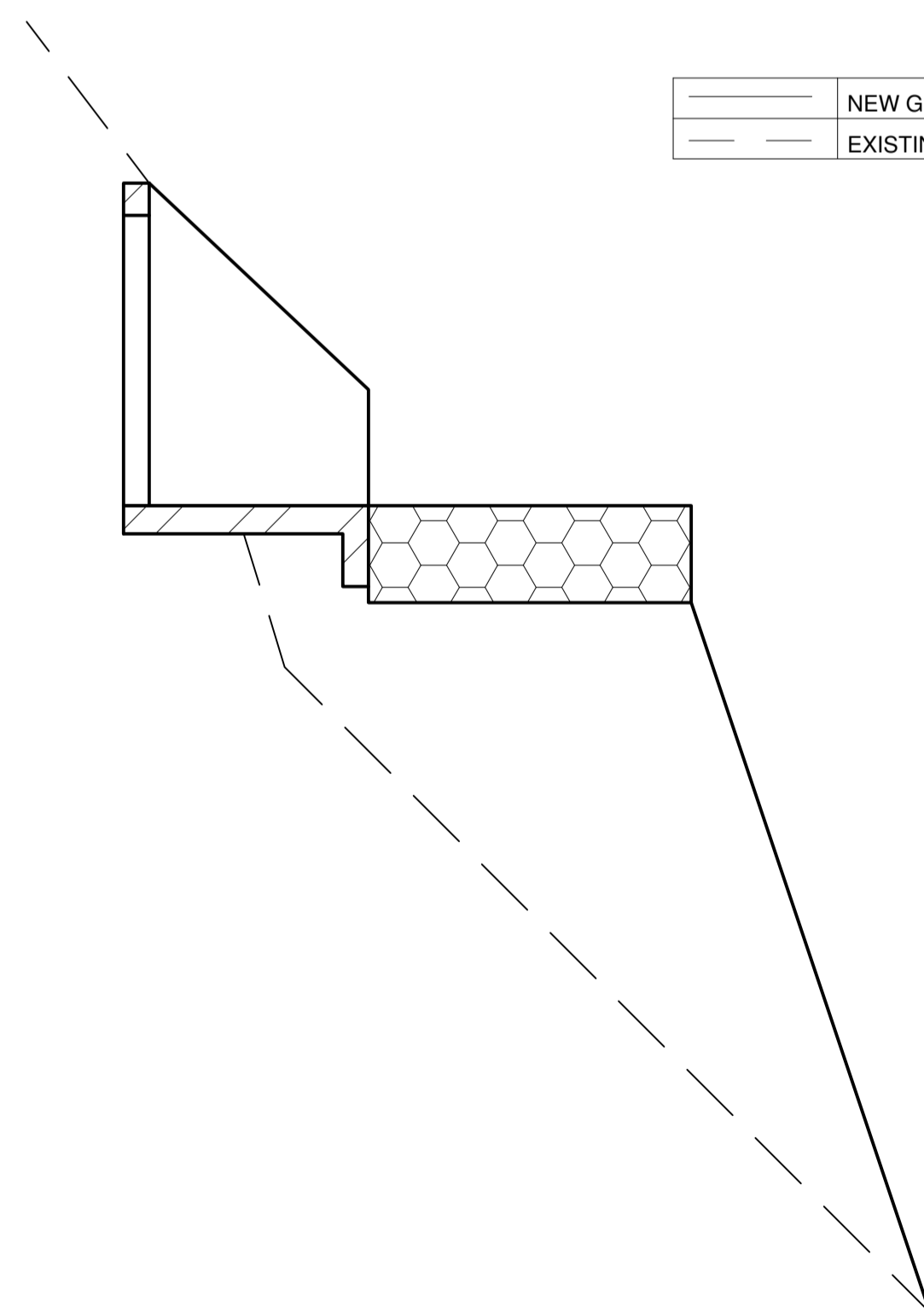


CROSS SECTION
SCALE 1:50



PLAN - SOUTH BEACH ROAD
SCALE 1:200

	NEW GL
	EXISTING GL



LONG SECTION
SCALE 1:50

AS BUILT

NAME:
SIGNED:
DATE: