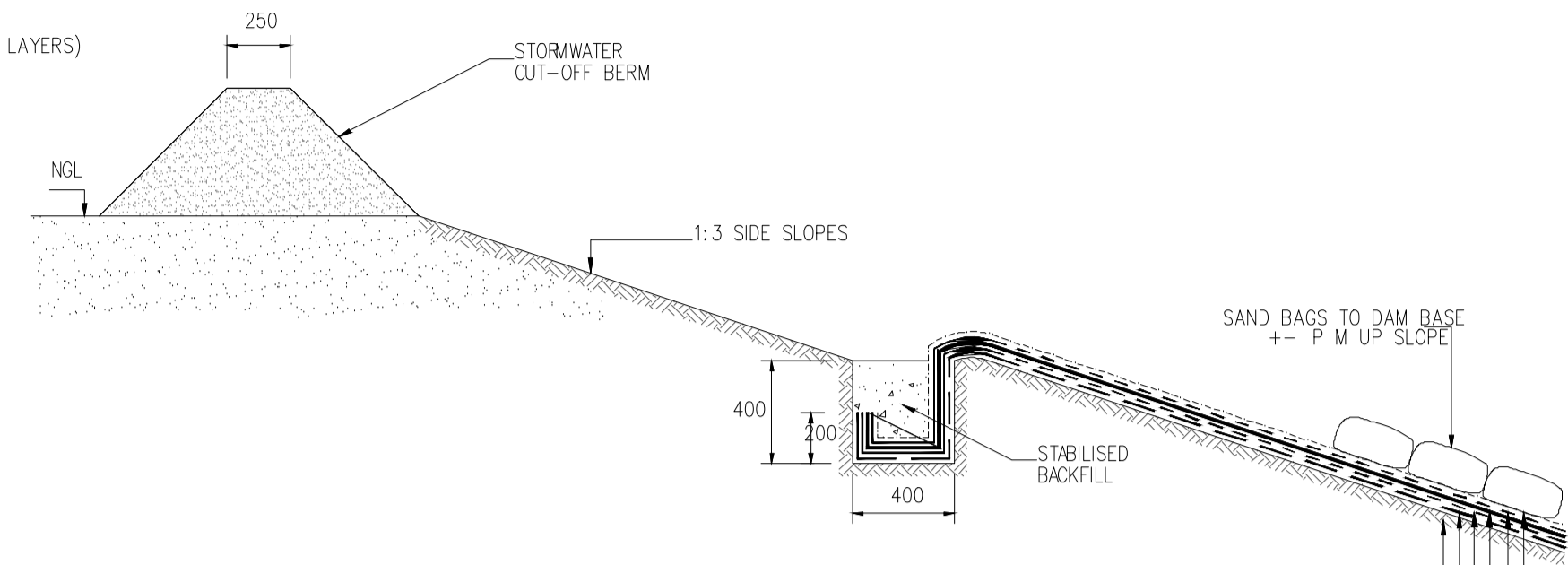
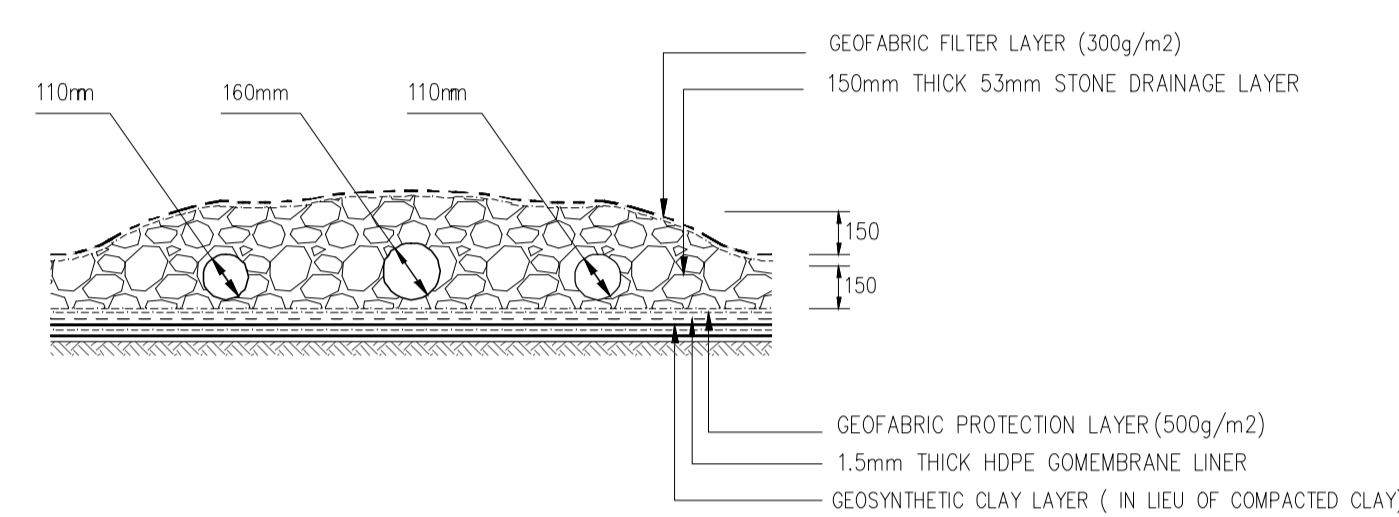


DETAIL A - LANDFILL CELL ANCHOR TRENCH DETAIL  
N.T.S.



DETAIL B - LEACHATE POND ANCHOR TRENCH DETAIL  
N.T.S.

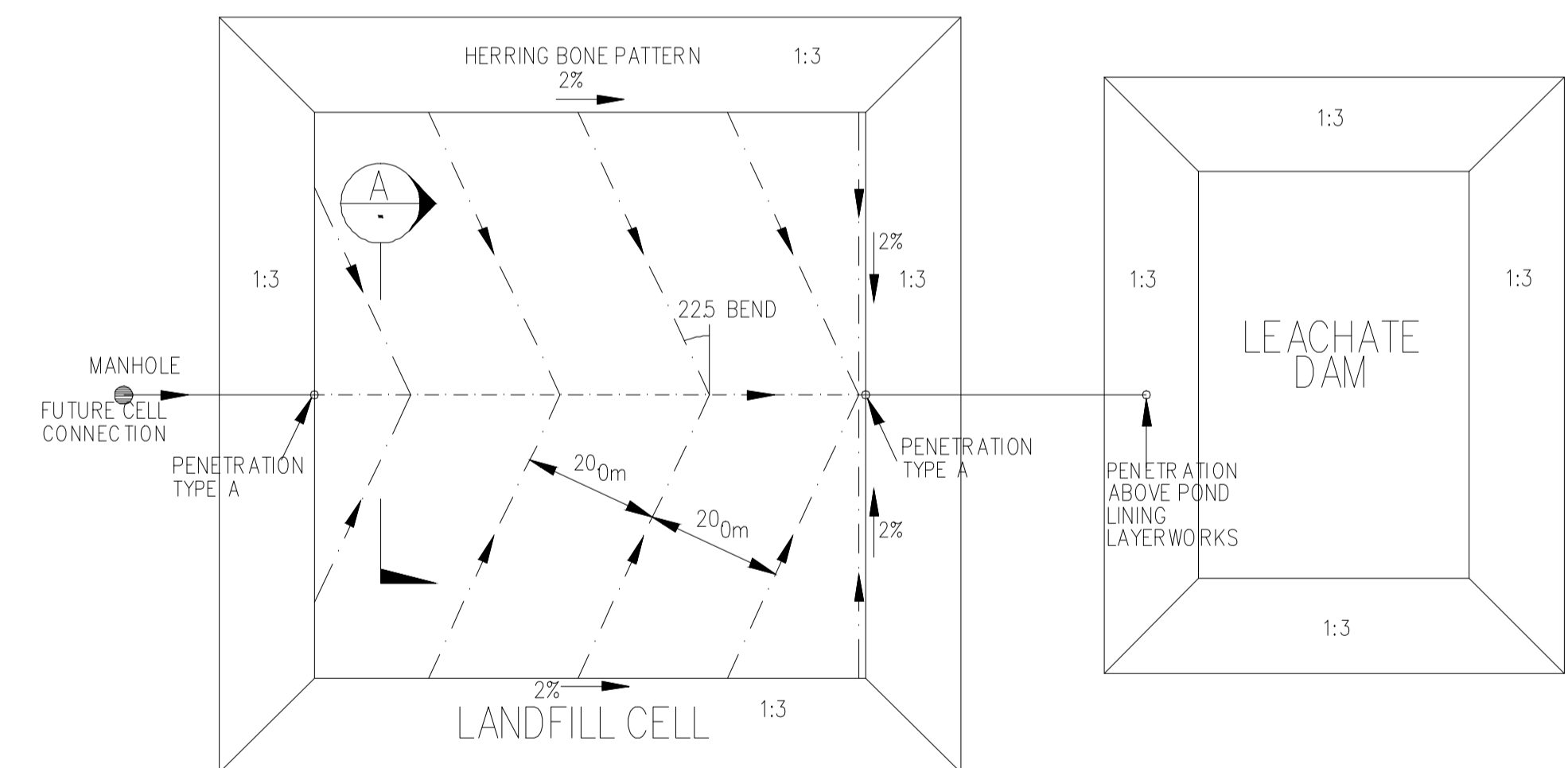


SECTION A  
N.T.S.

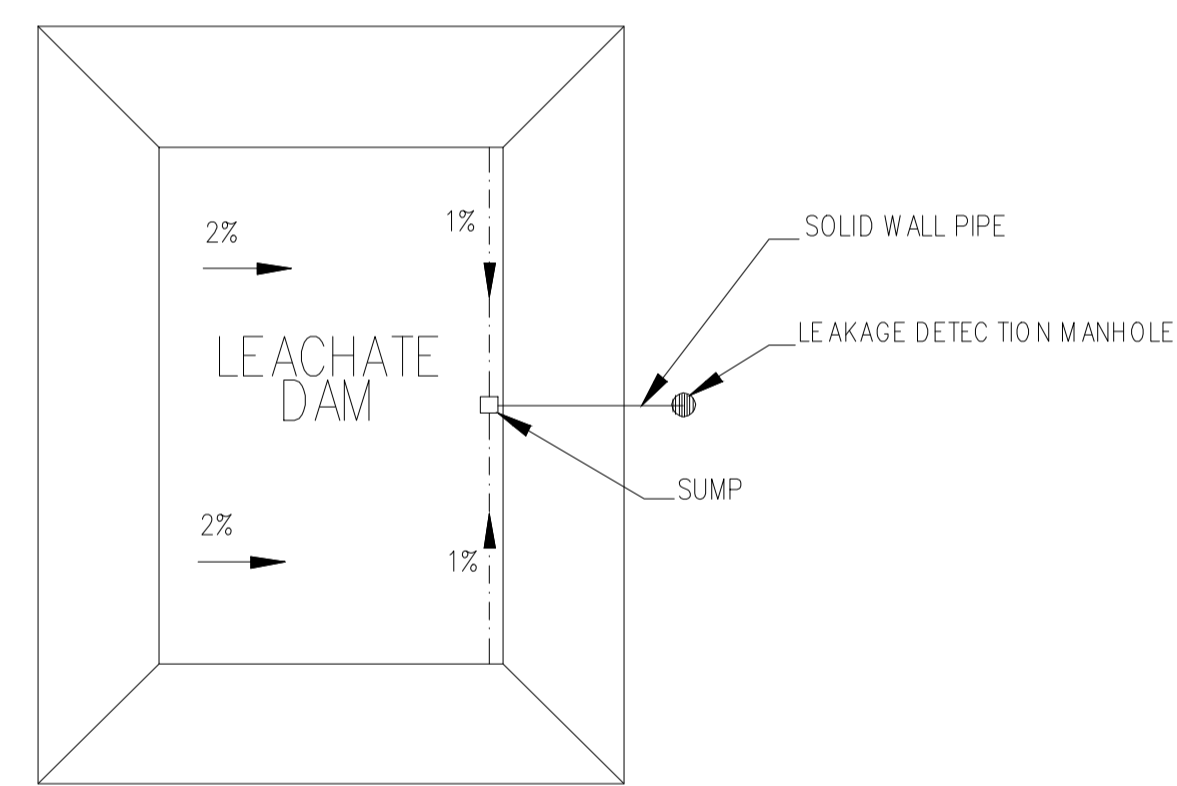
BASIN DETAIL

LEGEND	
---	110mm PE100HDPE PERFORATED PIPE
---	200mm PE100HDPE PERFORATED PIPE
---	200mm PE100HDPE PIPE

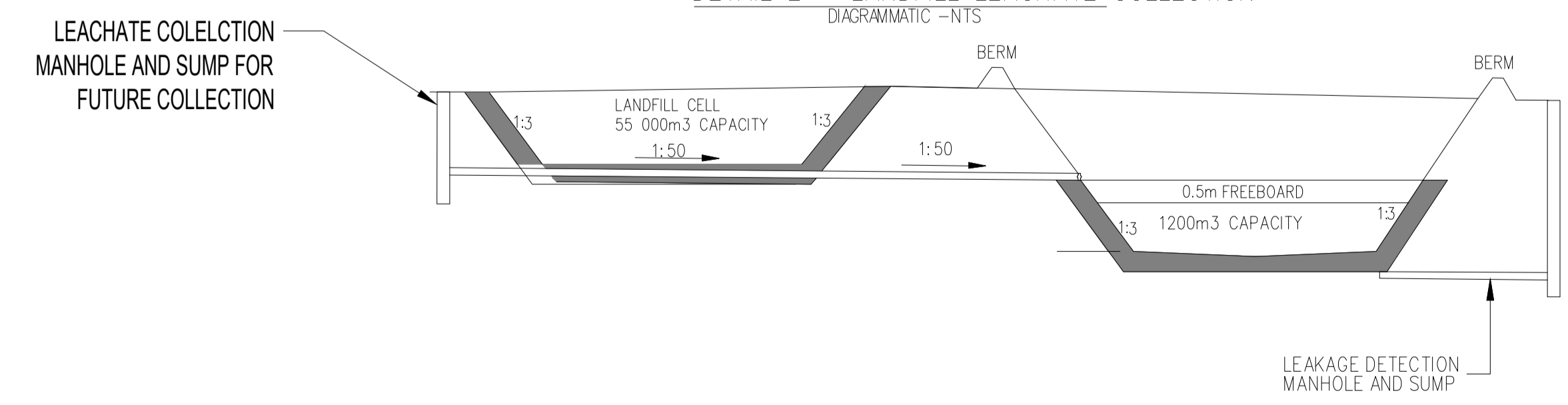
LEGEND	
---	160mm PE100HDPE PIPE
---	160mm PE100HDPE PERFORATED PIPE



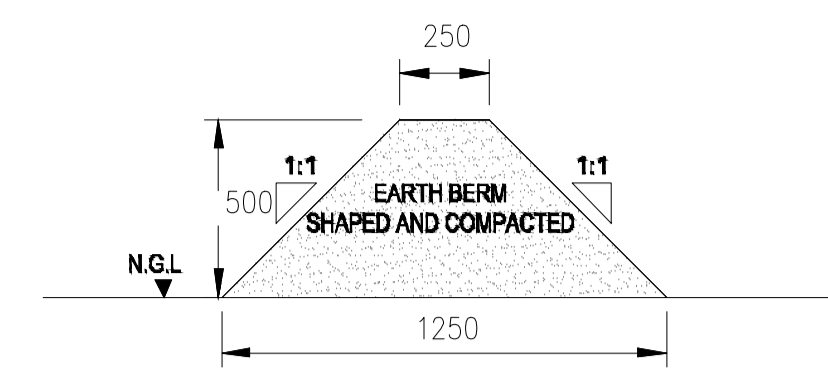
DETAIL E - LANDFILL LEACHATE COLLECTION  
DIAGRAMMATIC - N.T.S.



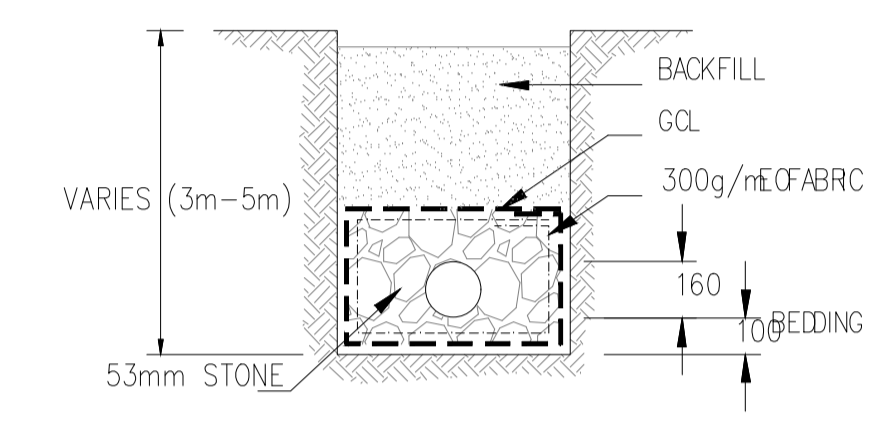
DETAIL F - LEAKAGE DETECTION  
DIAGRAMMATIC - N.T.S.



TYPICAL CROSS-SECTION  
N.T.S.



DETAIL C: STORMWATER CUT-OFF BERM  
1:20



DETAIL D: PIPE BACKFILLING AND BEDDING  
DETAIL (TO ALL PIPES IN VIRGIN GROUND)  
1:20

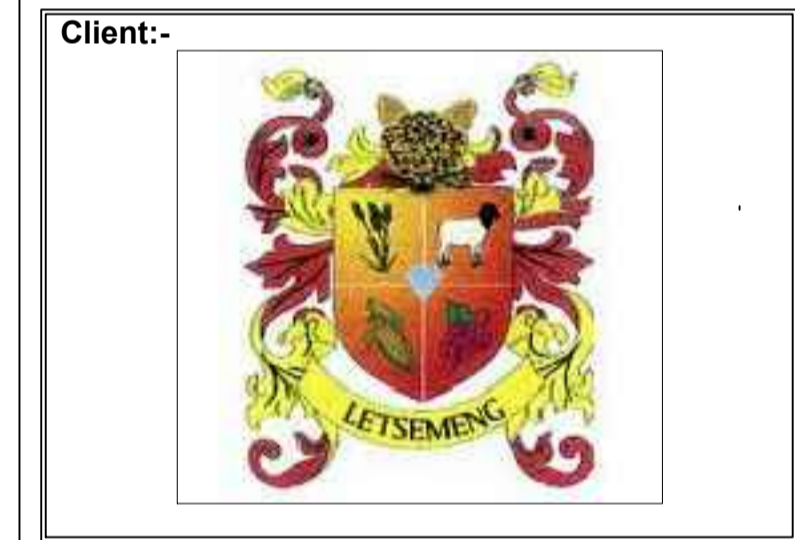
NOTES

All dimensions on the drawings must be against the existing site conditions before the commencement of any work.

Drawings may not be scaled.

Except where otherwise indicated all given levels are unfinished levels.

All work must be done according to the South African Bureau of Standard's code of practice SANS 10400-2010



discipline **CIVIL ENGINEERING**

service

PROJECT NO: 2017/LANDFILL  
SITE/02:LUCKHOFF: CLOSURE OF EXISTING SOLID WASTE SITE AND CONSTRUCTION OF WASTE FACILITY (PHASE 1 AND 2)

**CONSTRUCTION OF WASTE DISPOSAL FACILITY**

drawing title

**LUCK-HOFF SOLID WASTE DISPOSAL FACILITY: LANDFILL DETAILS**

ref.no. LLM/2017/PD/SL003 designed Tokelo Mothane  
scale N.T.S. drawn Tsekiso Mabaso  
date August 2021 checked Sonwabe Srongogo  
drawing number

**LLM/2017/PD/SL003**