

01 02 03 04 05 06 07 08 09 10 11 12 13 14 15 16 17 18 19 20 21 22 23 24 25 26 27 28 29 30 31 32 33 34 35 36 37 38 39 40 41 42 43 44 45 46 47 48 49 50 51 52 53 54 55 56 57 58 59 60 61 62 63 64 65 66 67 68 69 70 71 72 73 74 75 76 77 78 79 80 81 82 83 84 85 86 87 88 89 90 91 92 93 94 95 96

A  
B  
C  
D  
E  
F  
G  
H  
I  
J  
K  
L  
M  
N  
O  
P  
Q  
R  
S  
T  
U  
V  
W  
X

PLANT SUMMARY

Name	Number of tables	Power plant capacity	North Orientation	East/West Pitch	Pitch between table	G.C.R	Table	Number of module per table	Module capacity	Capacity per table	Number of string per table
Exotrack HZ	927	5,747 MWdc	0.00°	6.00 m	1 m, 3 m, 8 m	32.60 %	Ex-Table	20	310.00 Wc	6.20 kWc	1

BLOCK SUMMARY

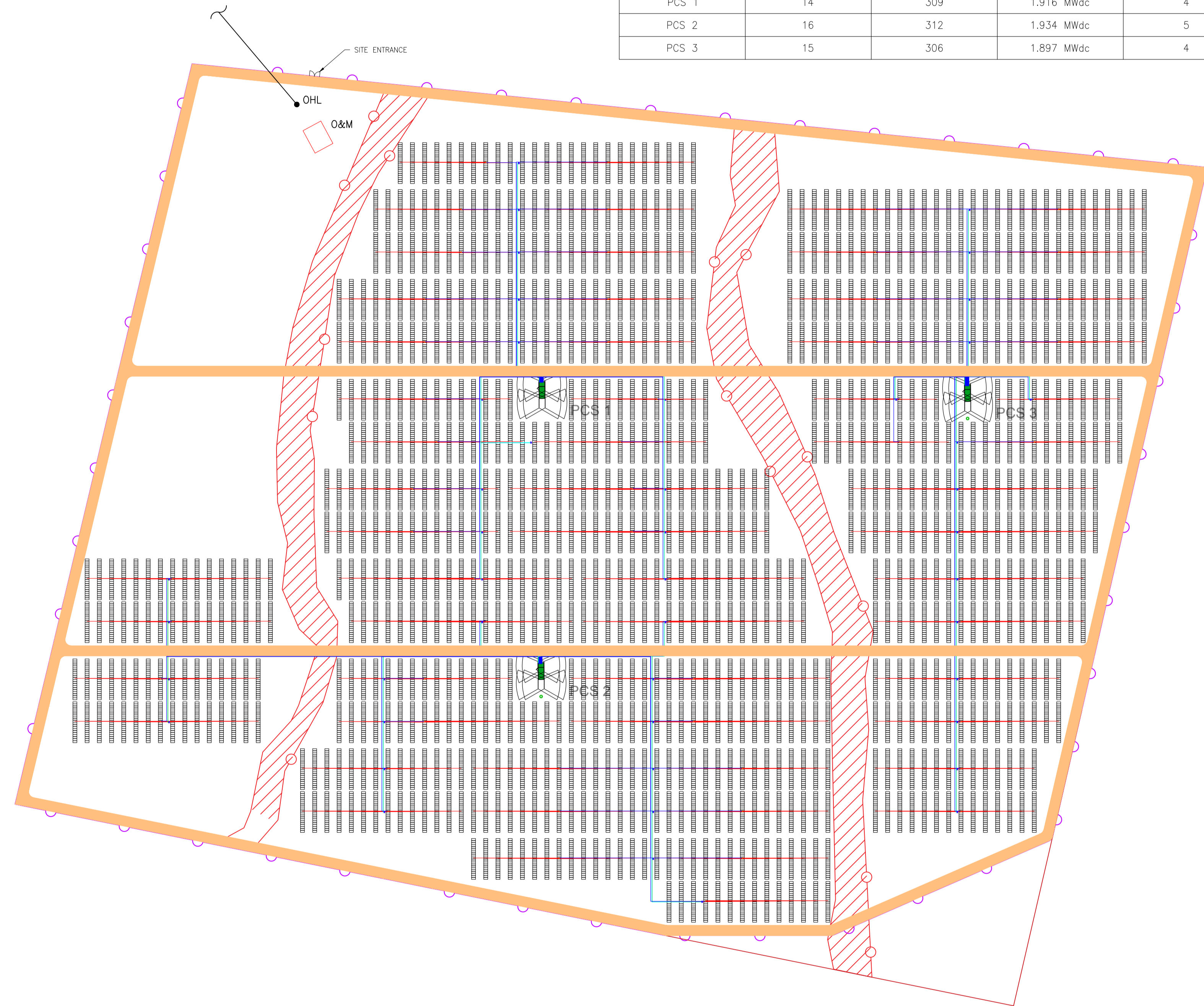
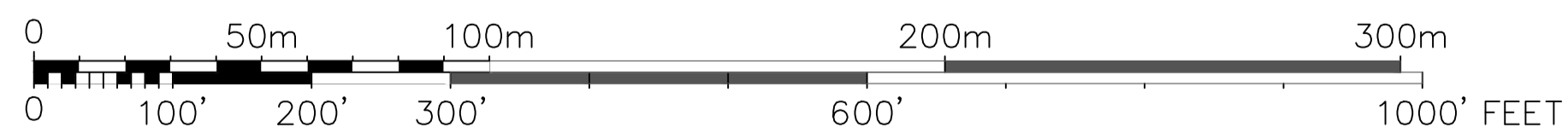
Power Conversion Station	Number of Exotrack HZ	Number of Tables	Power Capacity	Number of 24 Input SCB	Number of 16 Input SCB
PCS 1	14	309	1,916 MWdc	4	16
PCS 2	16	312	1,934 MWdc	5	14
PCS 3	15	306	1,897 MWdc	4	16

SUMMARY

Name	Total Length
DC String Run Length	22 642 m
CB to Inverter DC Cable Run Length	7600 m
Motor Power Supply	1819 m
Motor Profibus	1819 m
LV Trench Length	1400 m
MV Trench Length	720 m
Road Length	2726 m
Fence Length	1650 m
No. of 24 Input CB	13
No. of 16 Input CB	46
No. of Inverter Transformer Stations (2MVA each)	3
No. Weather Stations	2
No. of Exotrack HZ	45
OHL Length	1700m

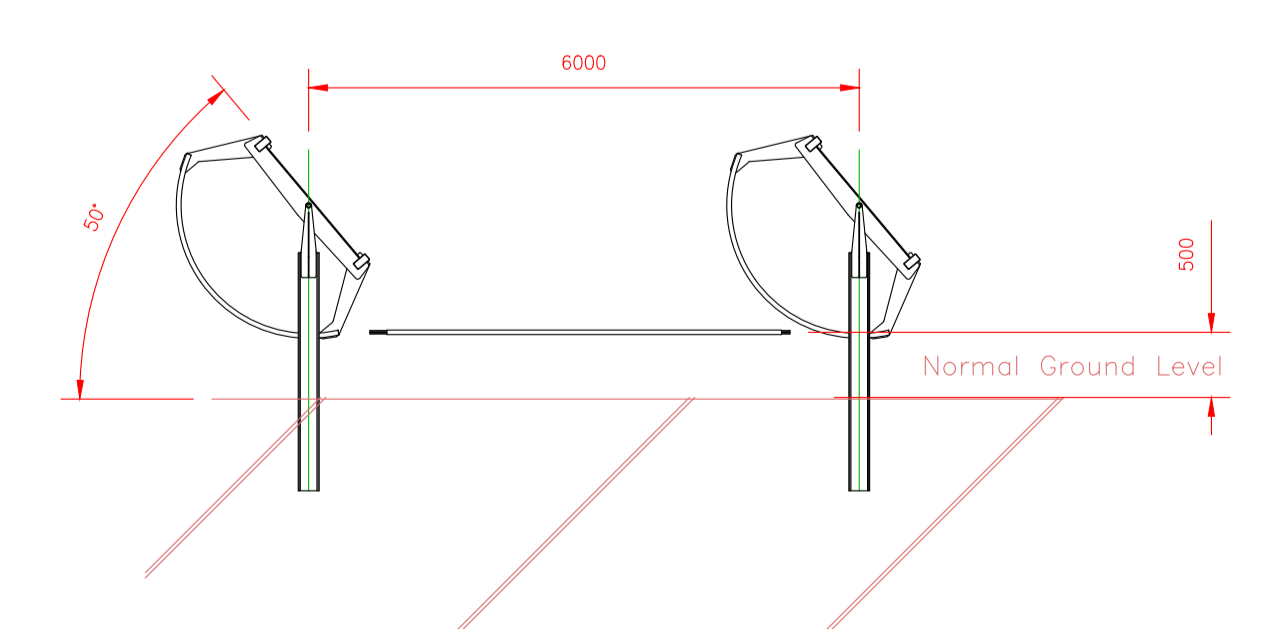
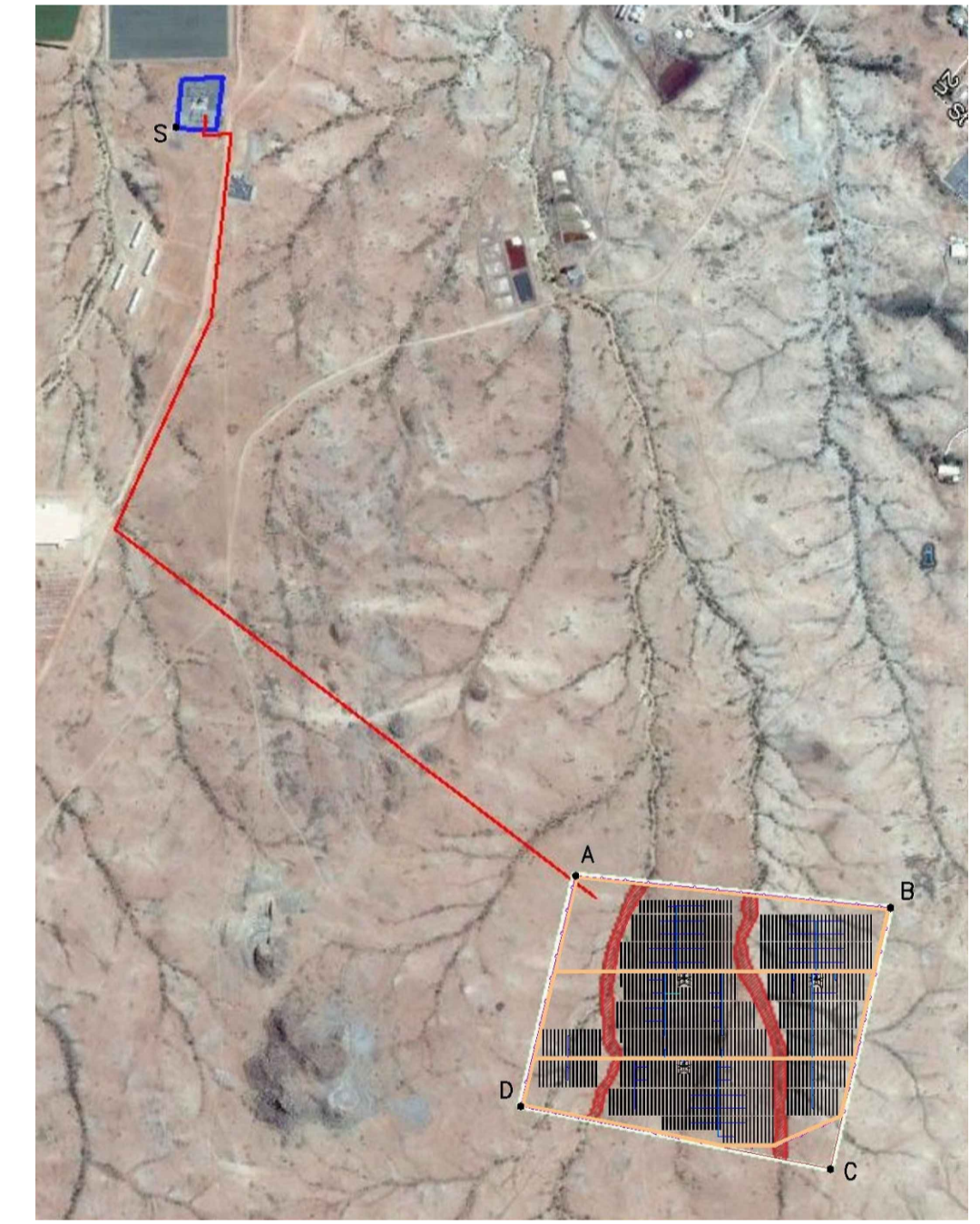
LEGEND

	Table
	Trail
	Transformer sub-station with Exobox
	Shadow
	Drive motor
	Combiner Box
	DC Cables (between modules and Combiner Box - No trenches needed)
	DC Cables (between Combiner Box and Inverter)
	Power Supply network
	Communication network (Profibus)
	Fence
	Weather Station
	Access Gate



GPS COORDINATES

A	28°47'8.55" S
	20°36'30.28" E
B	28°47'21.98" S
	20°36'26.74" E
C	28°47'18.72" S
	20°36'8.40" E
D	28°47'6.88" S
	20°36'11.61" E



KENTZ (Pty) Ltd  
Engineers & Constructors  
Member of the SNC-Lavalin Group  
Vanderbijlpark, South Africa  
Tel: +27 16 910 9300 Fax: +27 16 923 4541



KEREN Energy Kakamas (Pty) Ltd  
201220599407  
SITE LAYOUT

Reference Drawings	Description	Revision	Revision Information	Amended by:	Checked by:	Date	Drawn:	FvN	Date:
		A	ISSUED FOR INFORMATION	FvN	CJF	2016/04/20	Engineer:	CJF	Date: 2016/04/20
							Approved:	CJF	Date: 2016/04/20
							Scale:	N.T.S	Dwg. Size A0

Vendor Drawing No.	Sheet	Revision
Kentz Drawing No. E0026-K2E-LAY-KAM	01	A