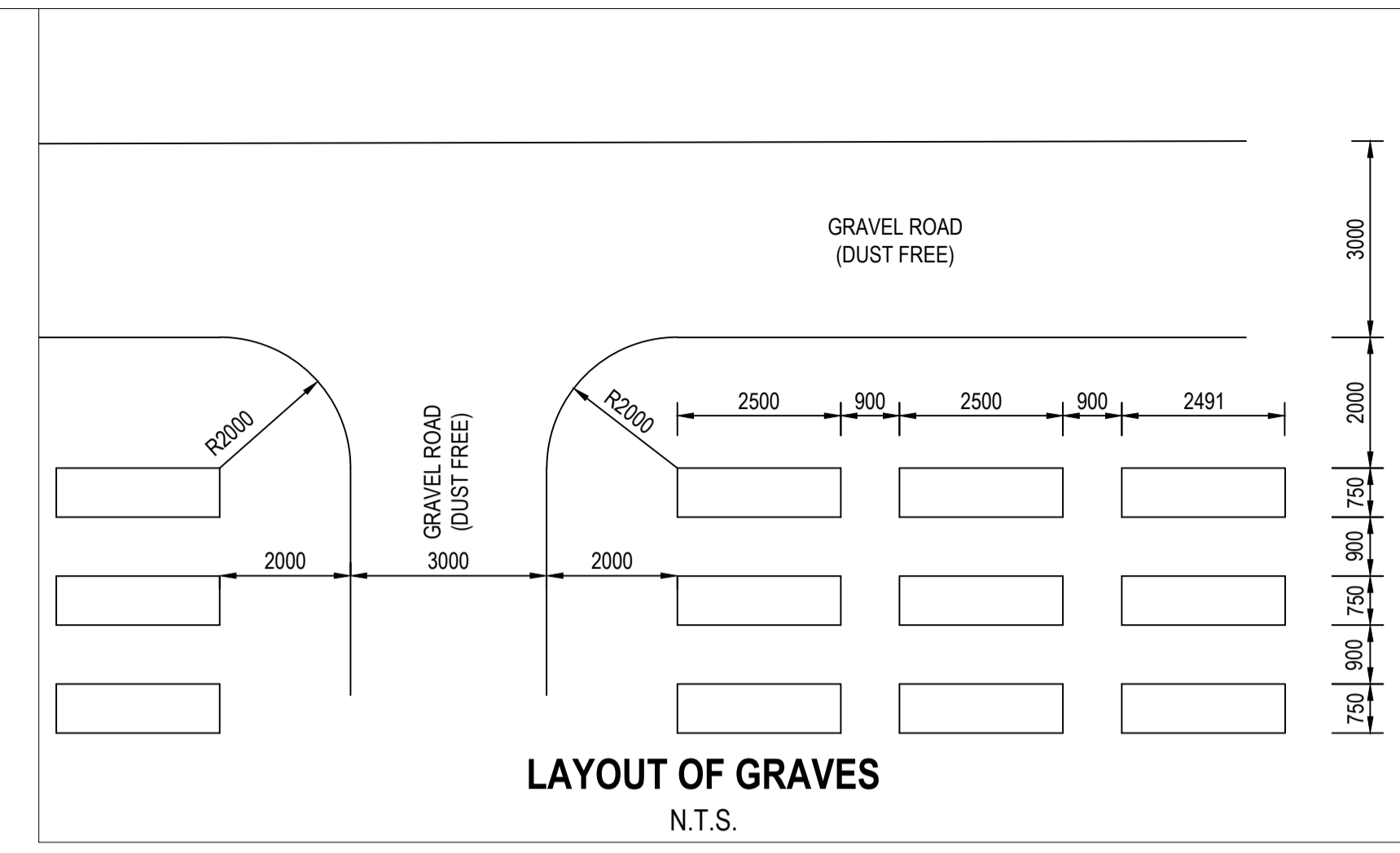
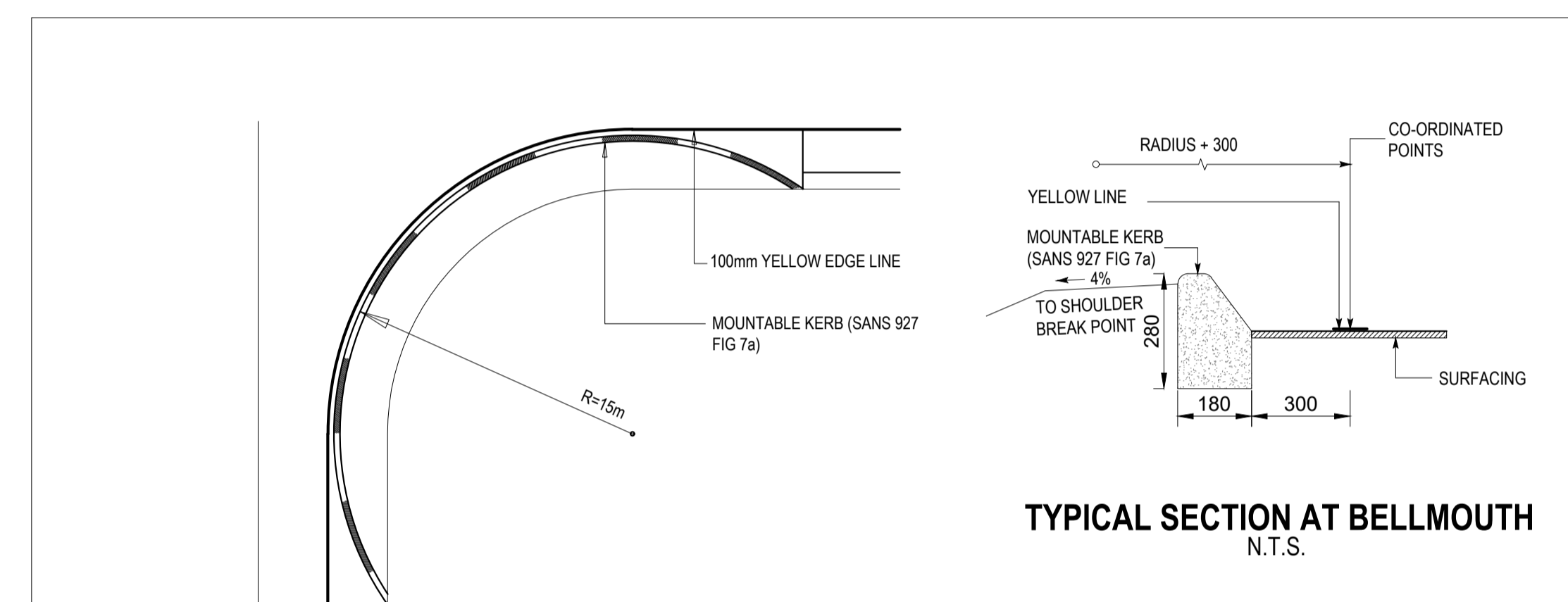


**SITE LAYOUT PLAN**  
SCALE 1 : 2500  
(TOTAL = 41000 Graves)

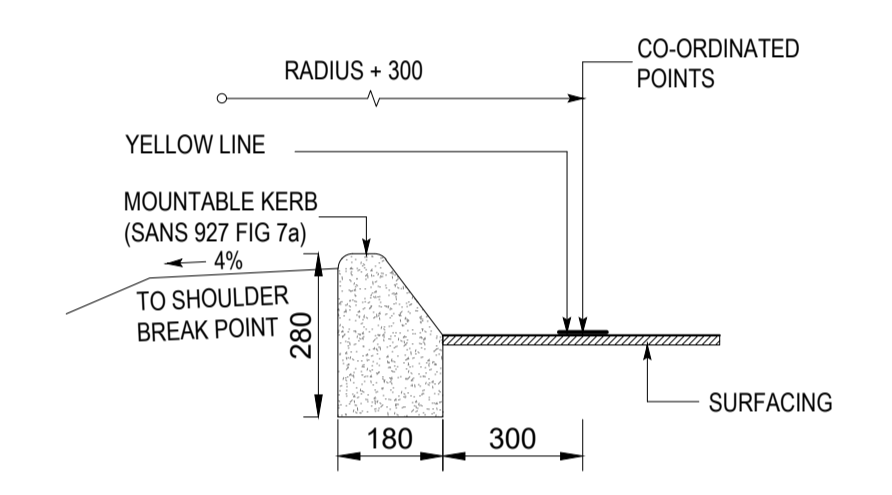
SERVITUDE NOTE:  
The line ab represents the centre line  
of a Overhead Electric Power Lines  
with Underground Electric Cables.  
Diagram S.G.No.A5480/1936.



**LAYOUT OF GRAVES**  
N.T.S.

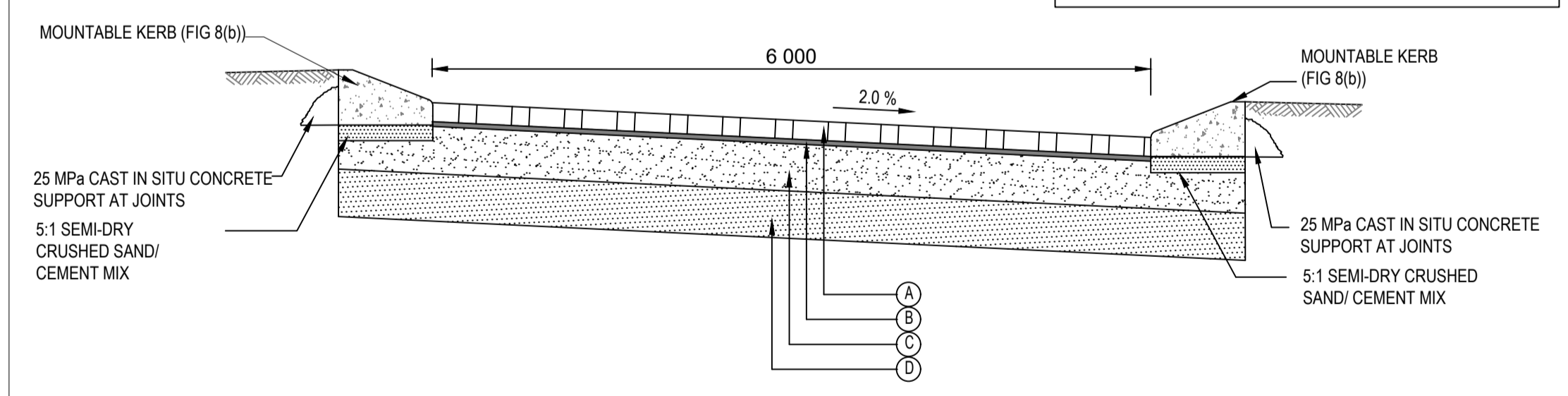


**CORNER DETAIL**  
N.T.S.



**TYPICAL SECTION AT BELLMOUTH**  
N.T.S.

- PAVING LAYERS FOR 6.0m ROAD**
- (A) 60 mm PRECAST INTERLOCKING PAVING BLOCKS, TYPE S-A, HERRINGBONE PATTERN, 30MPa
  - (B) 20 mm NON-COHESIVE BEDDING MATERIAL
  - (C) 150mm C4 SUB BASE LICS 0.75 TO 1.5MPa AT 100% MOD AASHTO, MAX SIZE 63mm
  - (D) 150mm SELECTED IN-SITU MATERIAL



**SECTION A - A**  
N.T.S.  
SEE DRAWING 00048-LP-002

DATE	REVISION DETAILS	REF

CLIENT

REV	01	SIZE	A1
SCALE	AS SHOWN	DESIGNED BY	P. MARAIS
DRAWN BY	D. PELSER	CHECKED BY	P. MARAIS
PRELIMINARY - NOT FOR CONSTRUCTION			
APPROVED	Pr Tech Eng 9170081	DATE	
CLIENTS SIGNATURE			

PROJECT NO

00072

PROJECT

KLERKSDORP  
MEMORIAL PARK

TITLE

SITE PLAN

DRAWING NO

00072-001 (01)