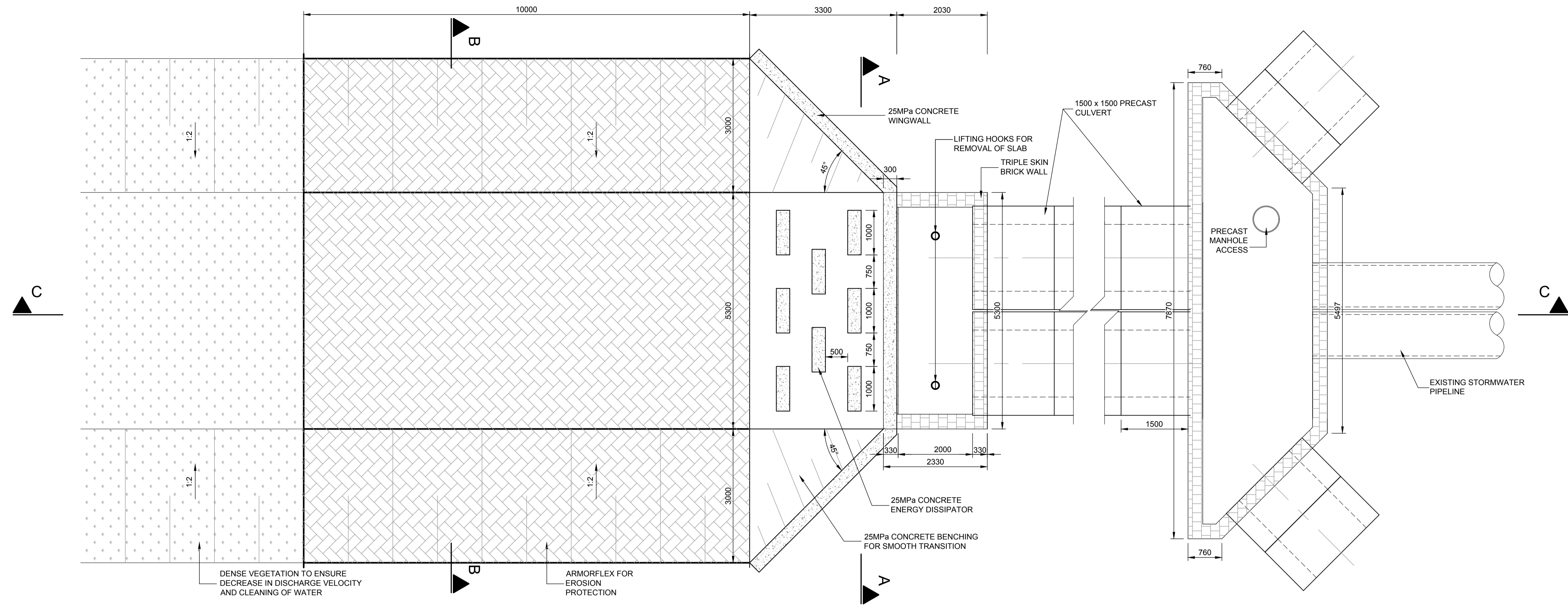
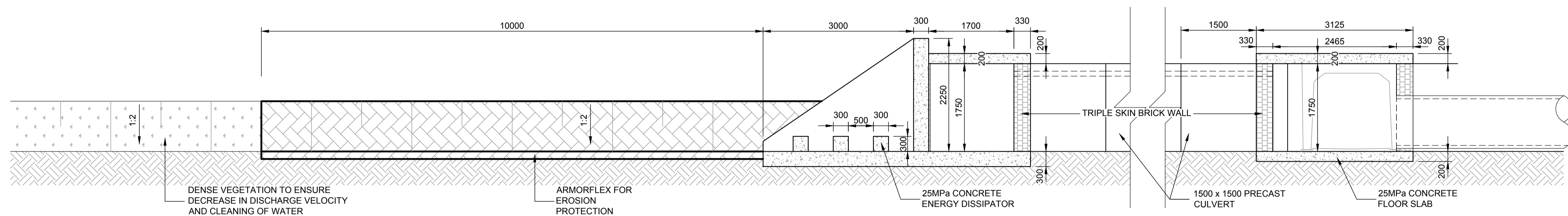


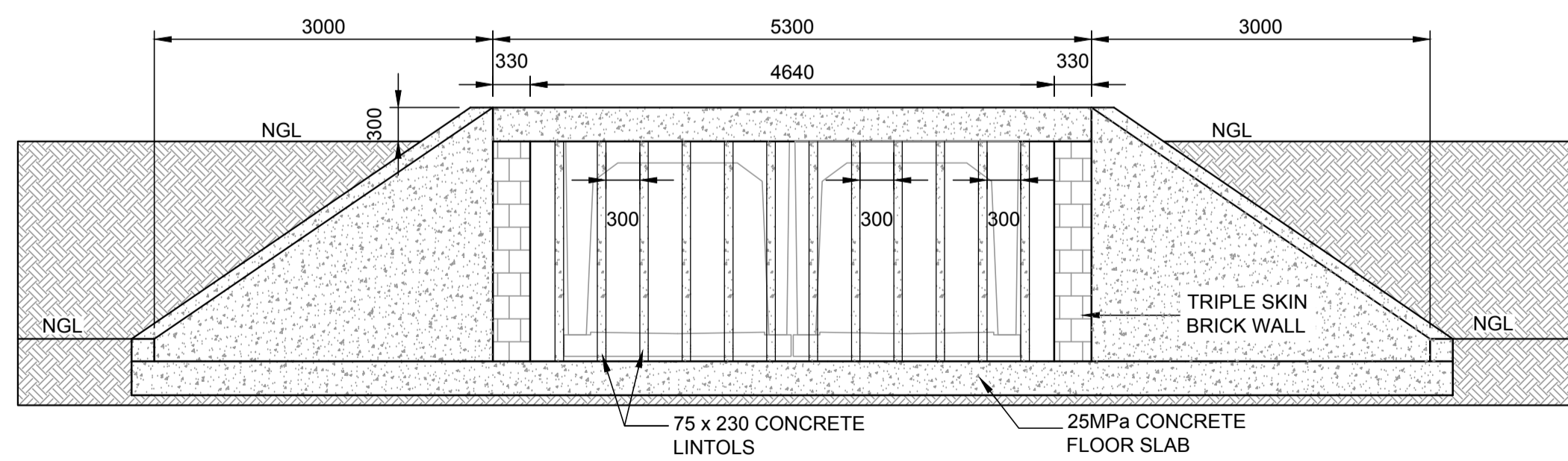
**APPENDIX C: FACILITY ILLUSTRATION**



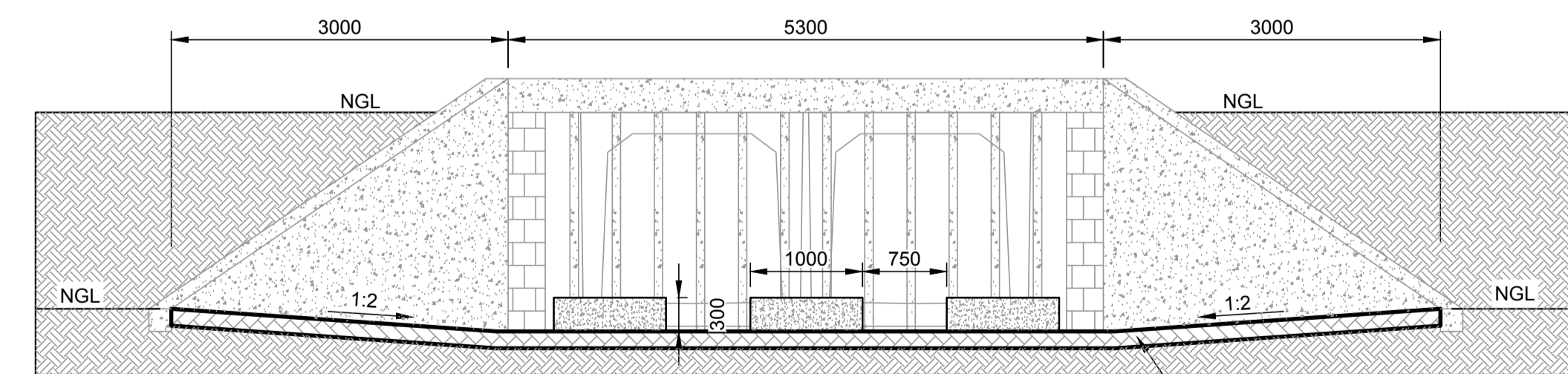
**PLAN - DISCHARGE STRUCTURE**  
SCALE 1:50



**SECTION C-C**  
SCALE 1:50






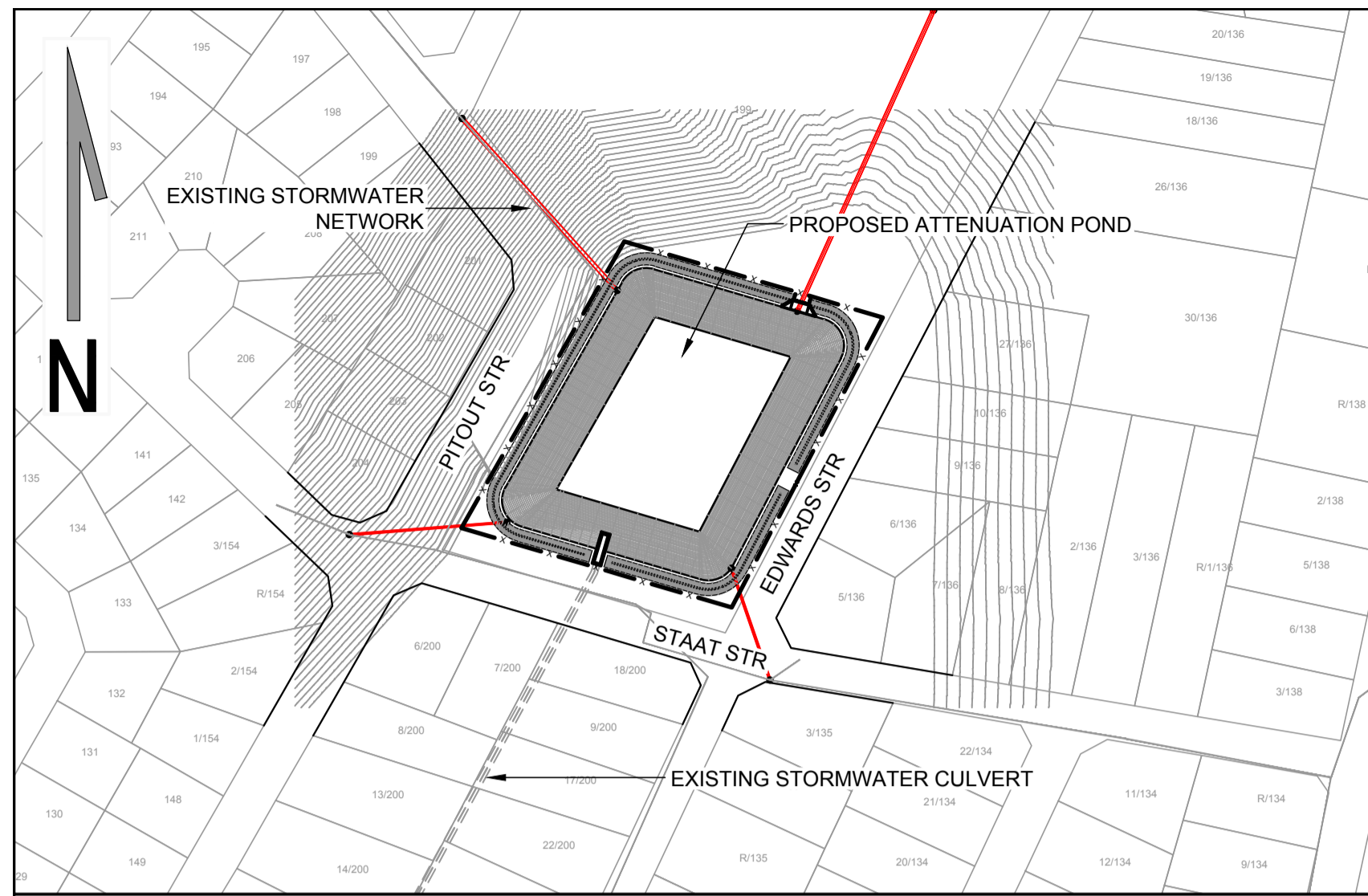
**SECTION A-A**  
SCALE 1:50



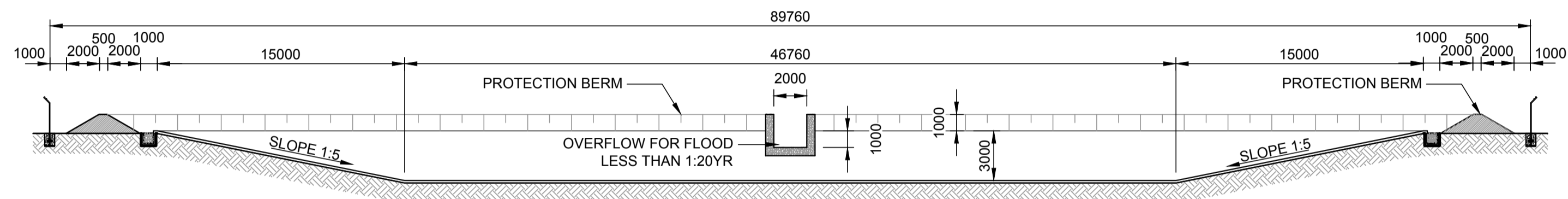
**SECTION B-B**  
SCALE 1:50

FOR INFORMATION ONLY

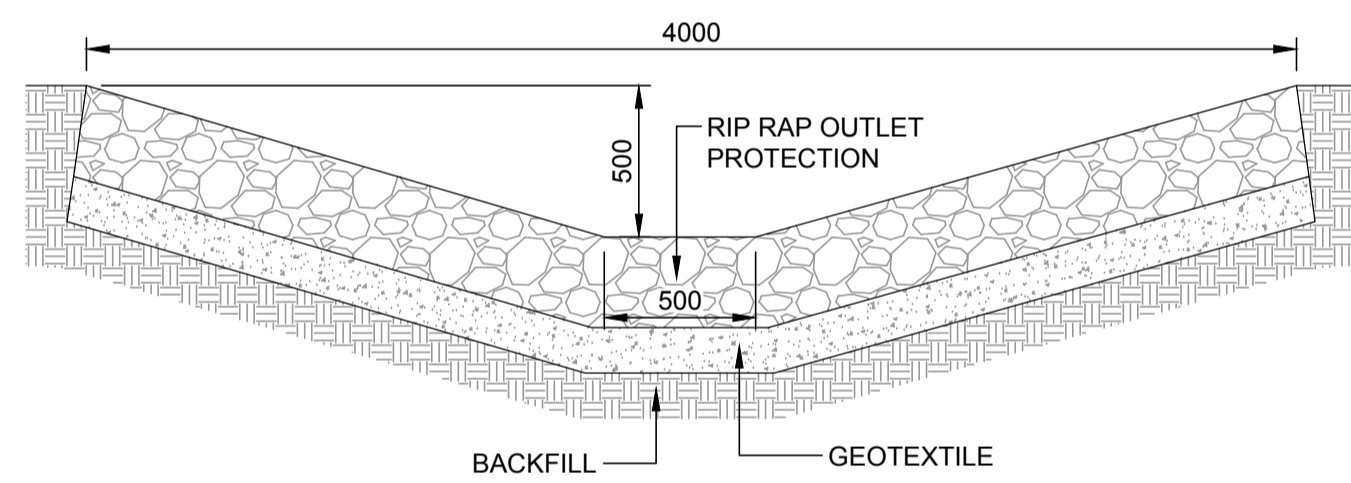
No	AMENDMENTS	REVISED BY	DATE	CONSULTING ENGINEERS		DESIGN		APPROVED		 <p>Telephone: +27 (0) 11 999 1213 Cellphone: +27 (0) 082 467 2014 E-mail: Louis.vanRensburg@ekurhuleni.gov.za Website: www.ekurhuleni.gov.za Postal: P.O. Box 145 Germiston 1400 Room 508 SAAME Building Cnr. Queen and Spillbury road Germiston</p>	PROJECT DESCRIPTION:	SHEET
A	ISSUED FOR PRELIMINARY DESIGN	P DE WET	12-07-2016	 <p>P.O. BOX 35703 MEMLO PARK 0102 TEL: +27-12-368-1850 FAX: +27-12-348-4738</p>	DESIGN BY	D DERCKSEN	APPROVED		PROJECT DESCRIPTION:		1 OF 1	
					DESIGN CHECKED BY	L FOURIE	CONSULTING ENGINEER		WITFIELD STORMWATER MANAGEMENT		SCALE	
					DRAWN BY	W RAMOKGABA	NOTED		PROJECT		PROJECT NO	
					DRAWING CHECKED BY	P DE WET	FOR CLIENT		DISCHARGE STRUCTURE		P15099-PD	
					APPROVED PR. ENG. REG. NO DATE		DATE				DRAWING NO	
					P DE WET PR. ENG. 920100 12-07-2016		DATE			01-SWD-001		
				Cad File Name: P15099-PD-01-SWD-001-REV A DISCHARGE STRUCTURE DBEC:MRPRO-09-08		DATE			REVISION No.			



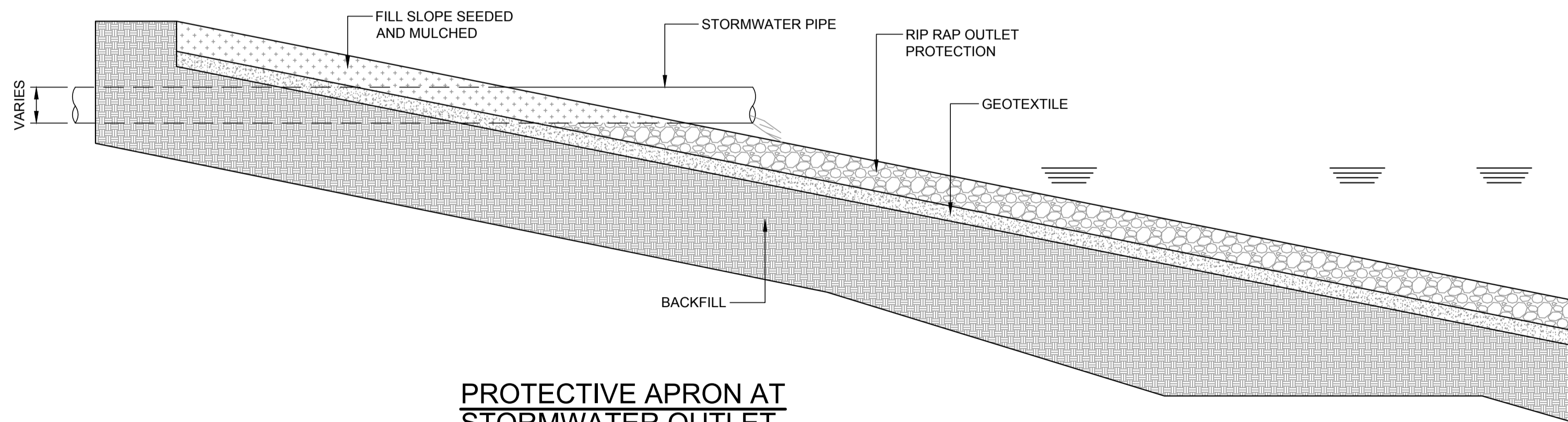
**POND KEY PLAN**  
SCALE 1:2000



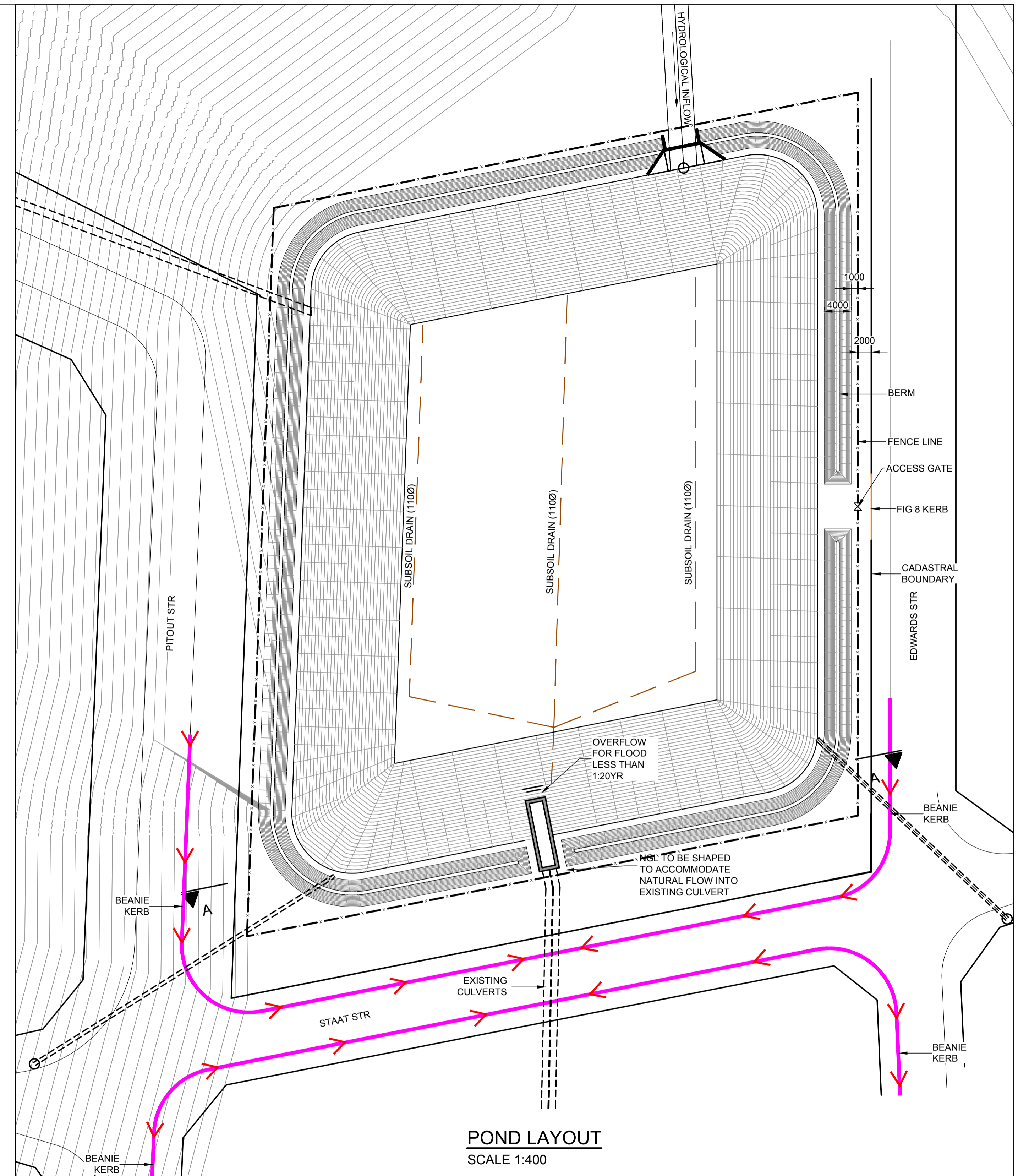
**SECTION A-A**  
SCALE 1:250



**TRAPEZOIDAL DETAIL**  
SCALE 1:25



**PROTECTIVE APRON AT STORMWATER OUTLET**  
SCALE 1:40



**POND LAYOUT**  
SCALE 1:400

**FOR INFORMATION ONLY**

No	AMENDMENTS	REVISED BY	DATE	CONSULTING ENGINEERS	DESIGN BY	APPROVED	PROJECT DESCRIPTION:	SHEET
A	ISSUED FOR PRELIMINARY DESIGN	P DE WET	12-07-2016	P O BOX 35703 MENLO PARK 0102 TEL: +27-12-368-1850 FAX: +27-12-348-4738	D DERCKSEN	APPROVED CONSULTING ENGINEER NOTED FOR CLIENT	WITFIELD STORMWATER MANAGEMENT PROJECT ATTENUATION POND DETAILS	1 OF 1
					L FOURIE			DATE
				APPROVED PR. ENG. REG. NO DATE	P DE WET PR ENG: 920100 12-07-2016			AS SHOWN
					DRAWN BY W RAMOKGABA			PROJECT NO P15099-PD
					DRAWING CHECKED BY P DE WET			DRAWING NO 01-SWD-002
					Cad File Name: P15099-PD-01-SWD-002-REV A ATTENUATION POND DETAILS			REVISION No.
					DBEC:MRPRO-09-08 DATE			

Telephone: +27 (0) 11 999 1213  
 Cellphone: +27 (0) 082 467 2014  
 E-mail: Louis.vanRensburg@ekurhuleni.gov.za  
 Website: www.ekurhuleni.gov.za  
 Postal: P.O.Box 145 Germiston 1400  
 Physical: Room 508 SAAME Building Cnr. Queen and Spillbury road Germiston

**Ekurhuleni**  
 METROPOLITAN MUNICIPALITY

REVISION No. a