

FENCE LENGTH 6320m,
HIGHT APPR. 2,40m

MAIN SUBSTATION
INCL. WAREHOUSE,
PARKING AREA, ETC.
APPR. 10m x 24m

ROAD LENGTH 7970m,
WIDTH 3,50m - 4,00m

LEGEND	
	ARRAY
	POWER STATION (1xAEG)
	POWER STATION (2xAEG)
	FENCE
	PV AREA
	SITE BOUNDARY

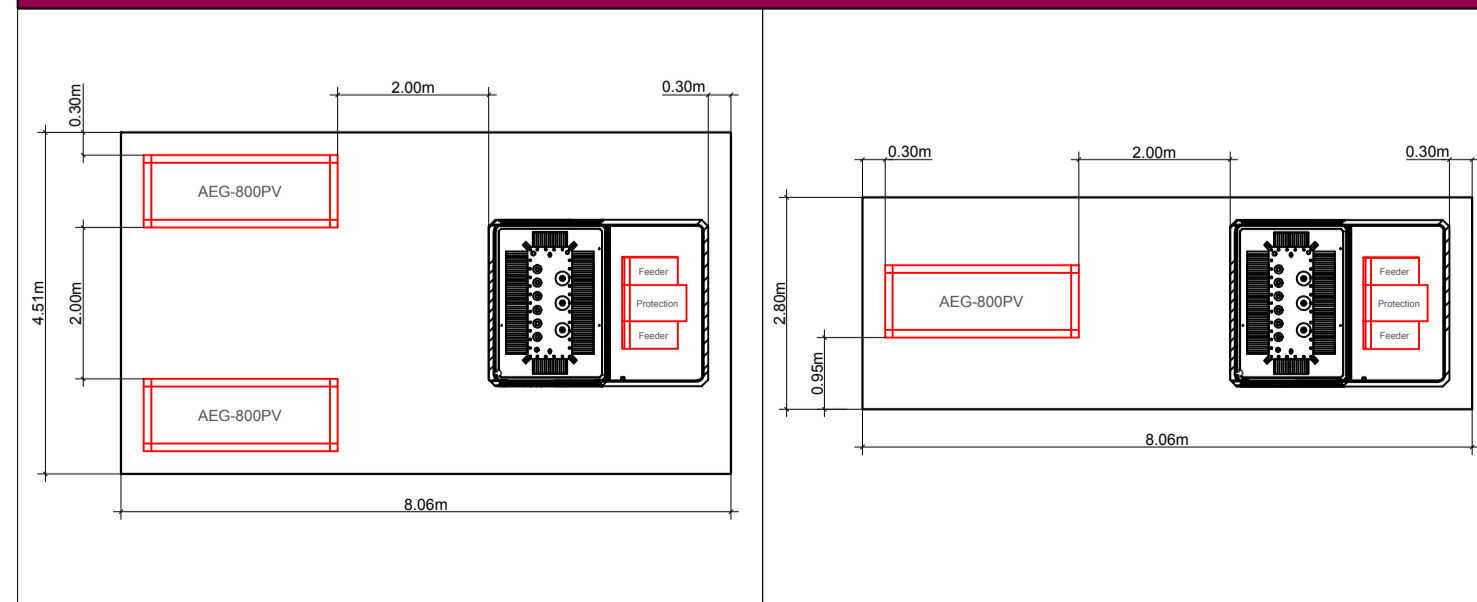
PROJECT:

LATITUDE	28,49° S
SITE AREA	112,35 ha
PV AREA	106,67 ha
ROW TO ROW CLEARANCE	3,0 m
MODULE TILT	20°
NUMBER OF MODULES	324672
INSTALLED CAPACITY	85.824 MWp
NUMBER OF ARRAYS	7152
ARRAY TYPE	4x12
POWER / ARRAY	12 kWp
BASIS FOR PLAN	IMAGE

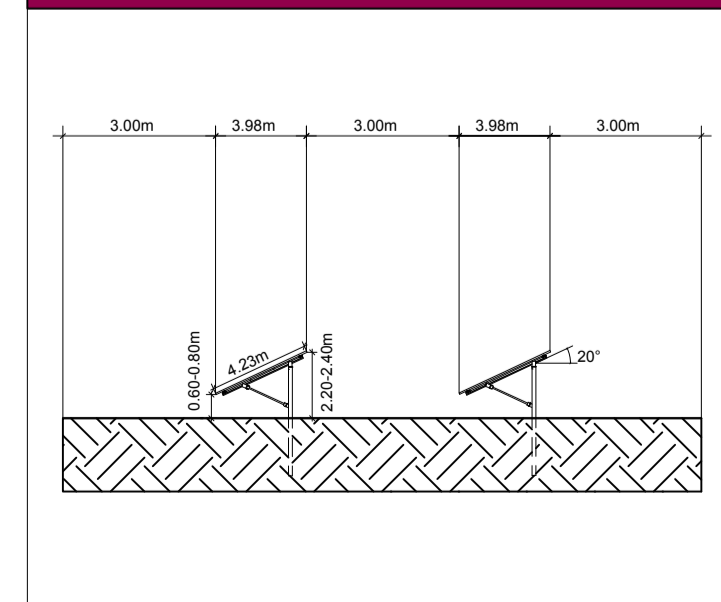
TECHNOLOGY:

MODULE	BYD 250P6-30
MODULE POWER	250 Wp
MODULE DIMENSIONS	1640 mm x 992 mm
INVERTER	93 AEG-800PV

POWER STATION
TOP VIEW - SCALE 1:100



DISTANCE SCHEMA
LATERAL VIEW - NOT TO SCALE



REV	DRAWN	REVIEWED	APPROVED	CHANGE	DATE
R0	INGR	MHES			05.10.2012
DRAWING TITLE					DRAWING NUMBER
OVERALL MODULE LAYOUT					4010 1032 - 10.00
PROJECT NAME & ADDRESS				CUSTOMER	
KOPPIE ENKEL				SUBSOLAR ENERGY LTD	
EPC				STATUS	
juwi Solar GmbH Energie-Allee 1 55286 Wörrstadt - Germany Phone: +49 - (0) 6732 96 57 0 Telefax: +49 - (0) 6732 96 57 7001				PRELIMINARY	
SCALE			FORMAT	SHEET	
1:3000			DIN A1	1/1	