
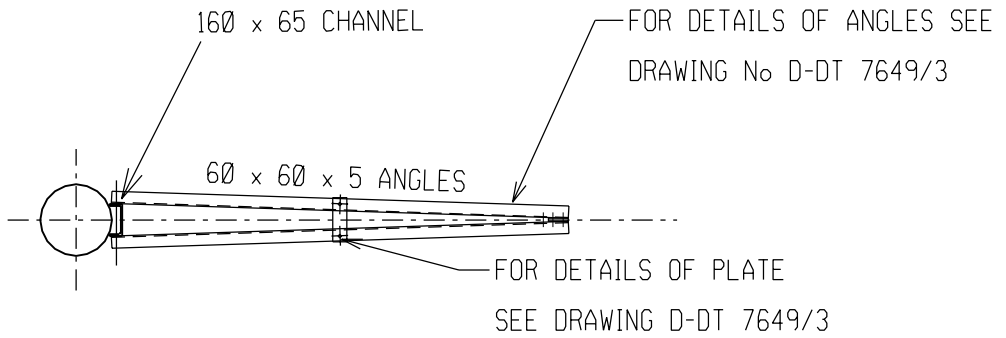


HEIGHT A.G.L.(m)	C A H (m)			
	B	M	T	E/W
18.2	10.83	12.7	14.58	18.2
19.2	11.83	13.7	15.58	19.2
20.1	12.73	14.6	16.48	20.1
21.2	13.83	15.7	17.58	21.2
22.7	15.33	17.2	19.08	22.7
24.2	16.83	18.7	20.58	24.2

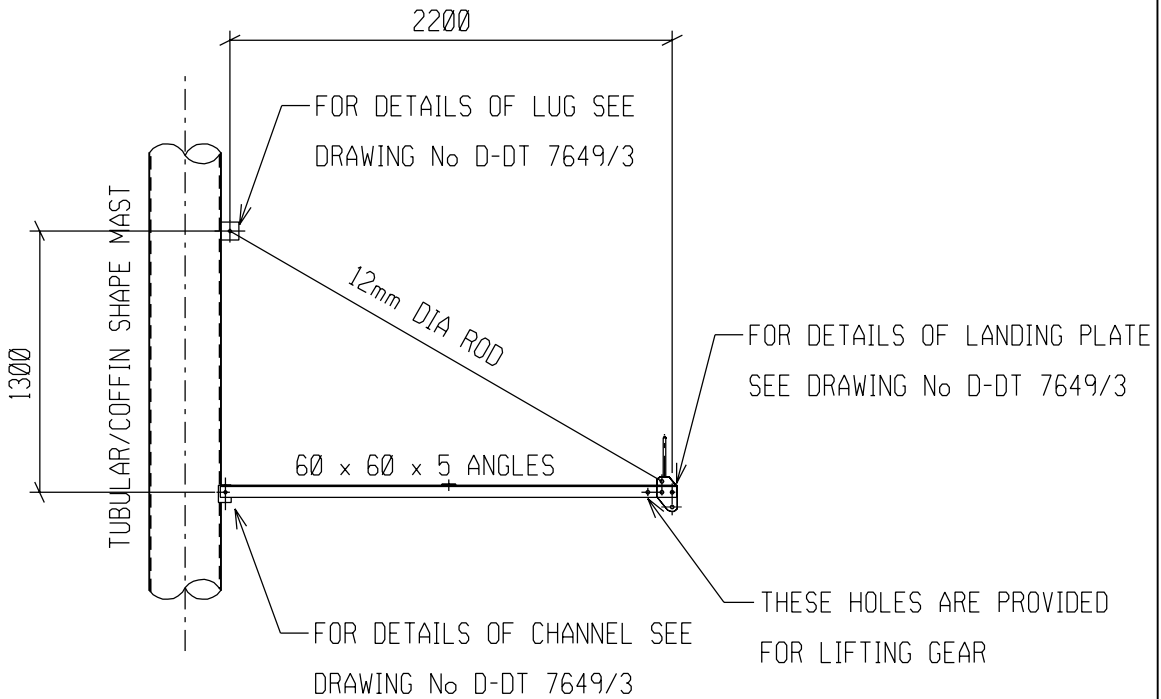
ELEVATION ON POLE

THIS DRAWING IS RELEVANT FOR GUYED AND FREESTANDING STRUCTURES

Ø	AB	15.03 2002	FIRST ISSUE/EERSTE UITREIKING	SLR	RAB		
REV	AUTH MAG	DATE DATUM	REVISION/REVISIES INDEX REF/INDEKSVERW	BY DEUR	CHKD NAGES	D-DT-	REFERENCE DRAWINGS
DRG.TEK REGISTR				DISTRIBUTION TECHNOLOGY 132KV SUSPENSION X-ARM GENERAL ARRANGEMENT FOR SINGLE STEEL POLE STRUCTURE			
CHKD NAGES	RAB	16.03 2002					
DRAWN GETEKEN	SLR	15.03 2002	APPROVED AB	CAD.REF:	D-DT 7649/1		REV
SCALE SKAAL	NTS		26/04/2002	FILE No.:			0




PLAN ON CROSS ARM ANGLES

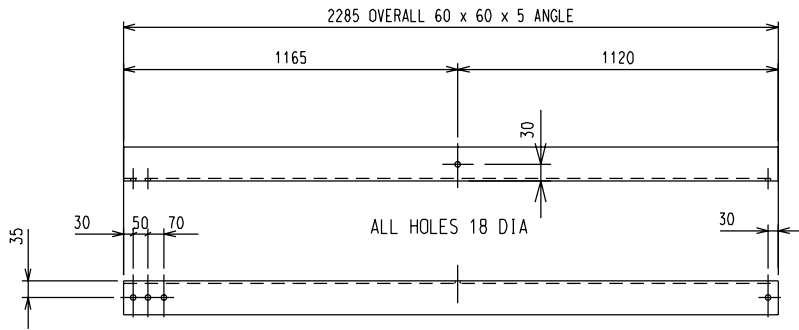


ELEVATION ON CROSS ARM

NOTE:

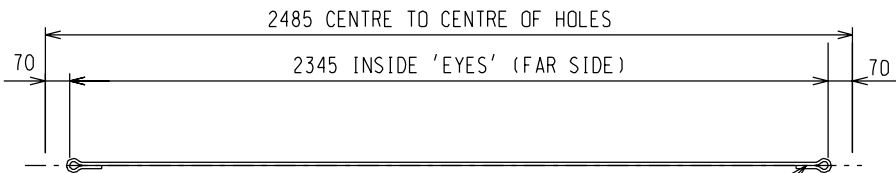
ALL BOLTS USED TO BE M16 GRADE 8.8 BOLTS

Ø	AB	15.03 2002	FIRST ISSUE/EERSTE UITREIKING	SLR	RAB		
REV	AUTH MAG	DATE DATUM	REVISION/REVISIES INDEX REF/INDEKSVERW	BY DEUR	CHKD NAGES	D-DT-	REFERENCE DRAWINGS
DRG.TEK REGISTR			 ESKOM	DISTRIBUTION TECHNOLOGY 132KV SUSPENSION X-ARM LAYOUT OF CROSS ARM			
CHKD NAGES	RAB	16.03 2002					
DRAWN GETEKEN	SLR	15.03 2002					
SCALE SKAAL	NTS		26/04/2002	FILE No.:	0		

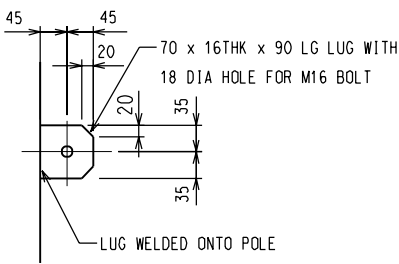


ONE ANGLE REQUIRED AS DRAWN
ONE ANGLE REQUIRED TO OPP HAND

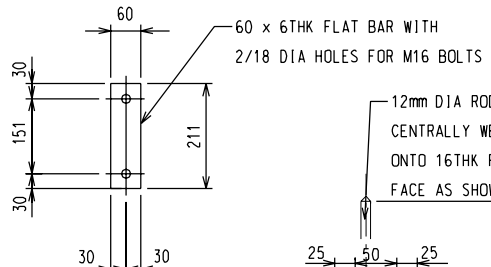
NOTE:
ALL BOLTS USED
TO BE M16 GRADE
8.8 BOLTS



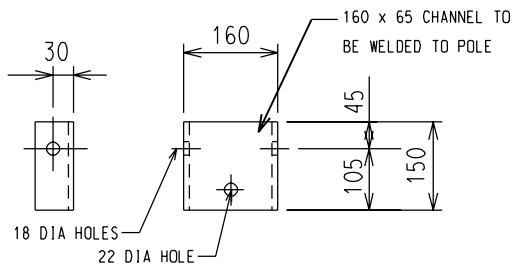
DETAIL OF 12mm DIA ROD



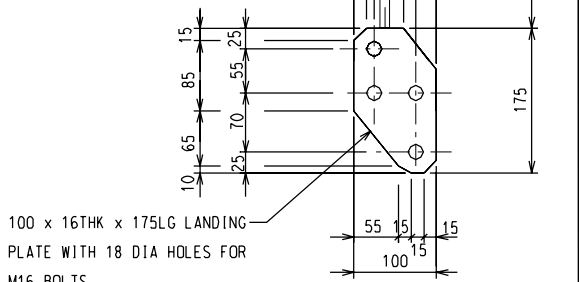
DETAIL OF LUG 'L1'




DETAIL OF PLATE 'P1'

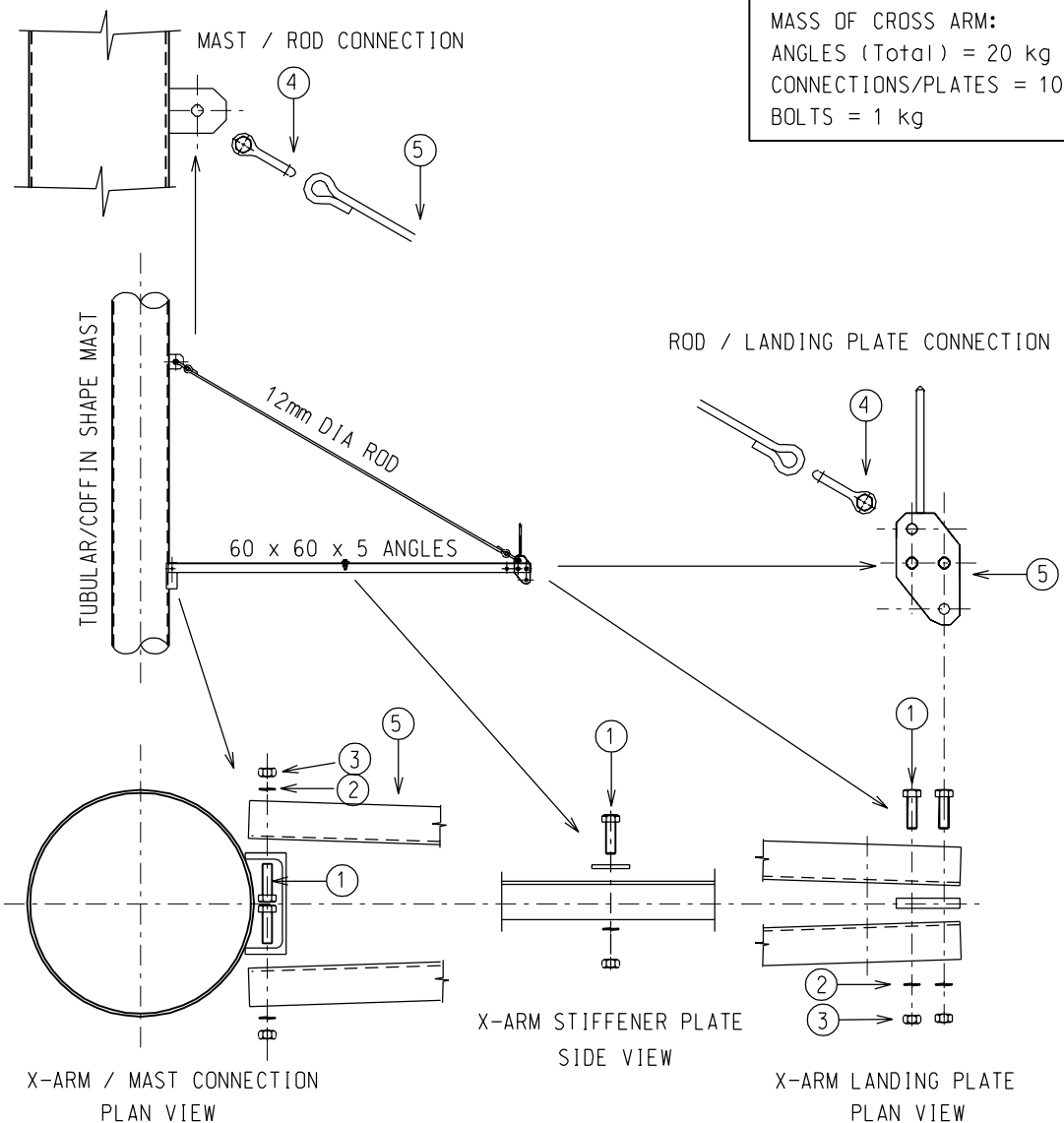


DETAIL OF CHANNEL CONNECTION



DETAIL OF LANDING PLATE


Ø	AB	15.03 2002	FIRST ISSUE/EERSTE UITREIKING	SLR	RAB		
REV	AUTH MAG	DATE DATUM	REVISION/REVISIES INDEX REF/INDEKSVERW	BY DEUR	CHKD NAGES	D-DT-	REFERENCE DRAWINGS
DRG. TEK REGISTR				DISTRIBUTION TECHNOLOGY 132KV SUSPENSION X-ARM FABRICATION DRAWING			
CHKD NAGES	RAB	16.03 2002					
DRAWN GETEKEN	SLR	15.03 2002	APPROVED AB	CAD. REF:	D-DT 7649/3		REV
SCALE SKAAL	NTS		26/04/2002	FILE No.:			0



MASS OF CROSS ARM:
 ANGLES (Total) = 20 kg
 CONNECTIONS/PLATES = 10 kg
 BOLTS = 1 kg

REF	DESCRIPTION	DRAWING NO.
1	SET SCREW, M16 x 50 LG GRADE 8.8	
2	WASHER, SPRING, M16	
3	NUT, M16	
4	SHACKLE, D 120KN	D-DT 7017
5	SUSP. ARM ASSEMB, 132KV	

REV	AUTH MAG	DATE DATUM	REVISION/REVISIES INDEX REF/INDEKSVERW	BY DEUR	CHKD NAGES	D-DT - REFERENCE DRAWINGS VERWYSINGSTEKENINGE
0	AB	15.03 2002	FIRST ISSUE / EERSTE UITREIKING	SLR	RAB	

DRG. TEK REGISTR				DISTRIBUTION TECHNOLOGY 132KV SUSPENSION X-ARM ASSEMBLY		
CHKD NAGES	RAB	16.03. 2002				
DRAWN GETEKEN	SLR	15.03. 2002	APPROVED AB	CAD.REF:	D-DT 7649/4	REV
SCALE SKAAL	N.T.S.		26/04/2002	FILE No.:		0