

A
B
C
D
E
F
G
H
I
J
K
L
M
N
O
P
Q
R
S
T
U
V
W
X

PLANT SUMMARY											
Name	Number of tables	Power plant capacity	North Orientation	East/West Pitch	Pitch between table	G.C.R	Table	Number of module per table	Module capacity	Capacity per table	Number of string per table
Exotrack HZ	927	5.747 MWdc	0.00°	6.00 m	1 m, 3 m, 8 m	32.60 %	Ex-Table	20	310.00 Wc	6.20 kWc	1

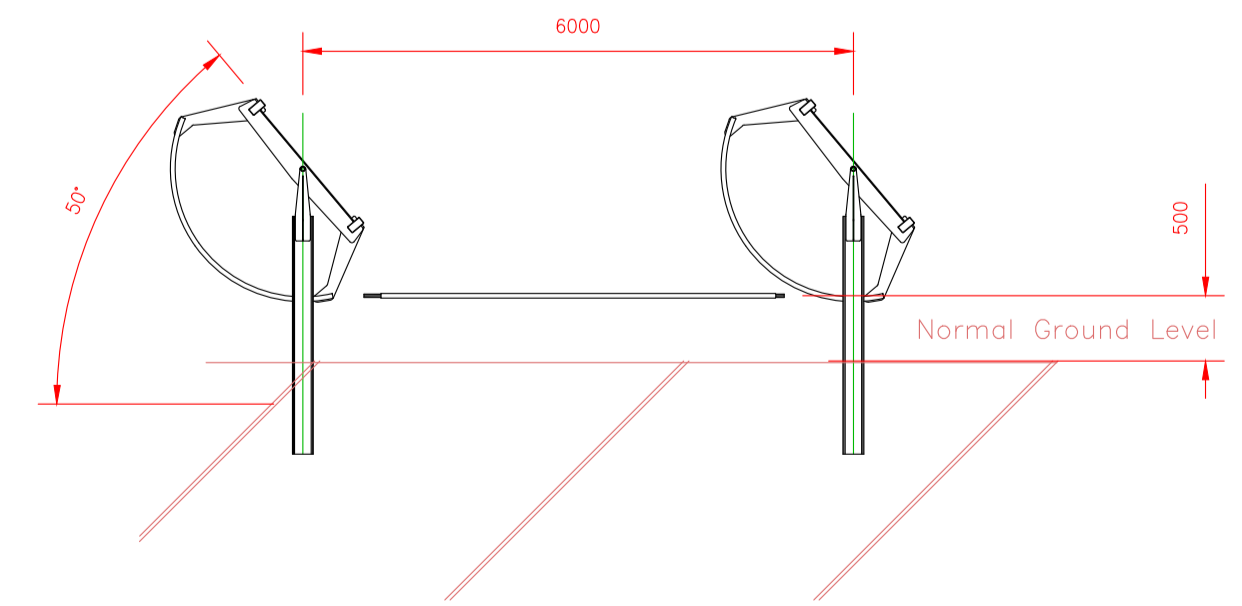
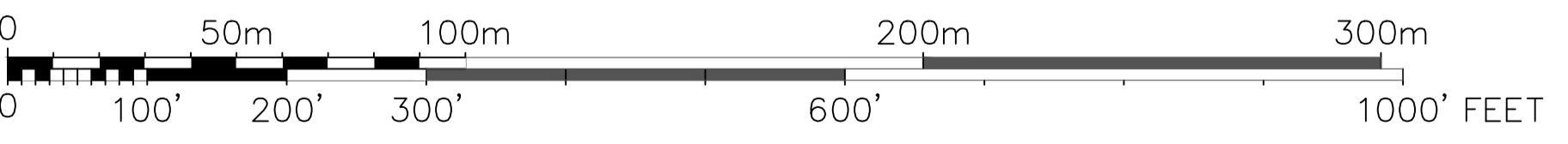
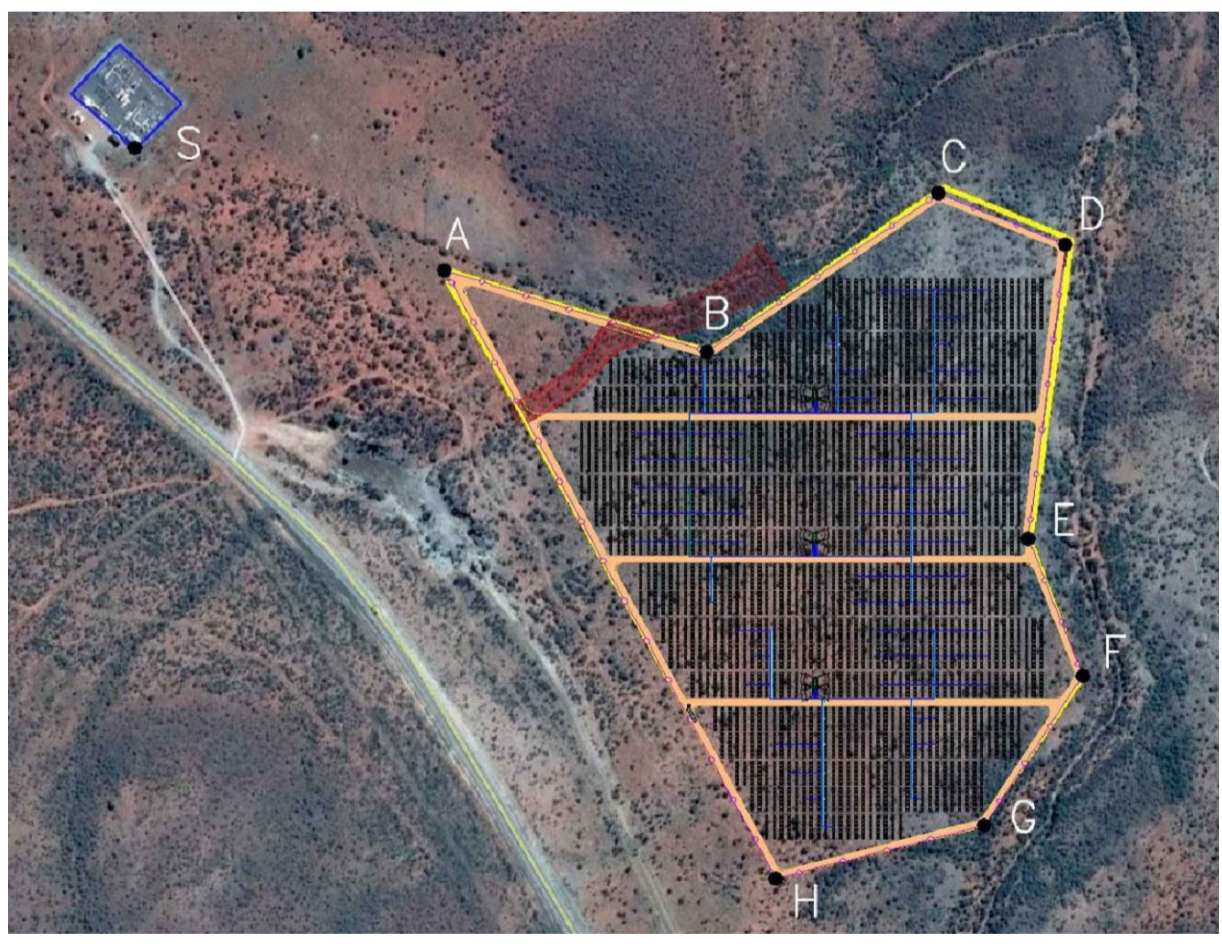
BLOCK SUMMARY					
Power Conversion Station	Number of Exotrack HZ	Number of Tables	Power Capacity	Number of 24 Input SCB	Number of 16 Input SCB
PCS 1	12	308	1.909 MWdc	3	17
PCS 2	11	304	1.885 MWdc	2	18
PCS 3	15	315	1.953 MWdc	9	9

SUMMARY	
Name	Total Length
DC String Run Length	22 725 m
CB to Inverter DC Cable Run Length	9140 m
Motor Power Supply	1864 m
Motor Profibus	1864 m
LV Trench Length	1340 m
MV Trench Length	580 m
Road Length	3214 m
Fence Length	1850 m
No. of 24 Input CB	14
No. of 16 Input CB	44
No. of Inverter Transformer Stations (2MVA each)	3
No. Weather Stations	2
No. of Exotrack HZ	38



GPS COORDINATES	
A	29°28'28.13" S 23°54'34.51" E
B	29°28'30.29" S 23°54'43.03" E
C	29°28'25.44" S 23°54'50.91" E
D	29°28'26.96" S 23°54'55.19" E
E	29°28'35.77" S 23°54'53.73" E
F	29°28'39.76" S 23°54'55.4" E
G	29°28'43.89" S 23°54'52.05" E
H	29°28'45.36" S 23°54'45.47" E

LEGEND	
	Table
	Trail
	Transformer sub-station with Exobox
	Shadow
	Drive motor
	Combiner Box
	DC Cables (between modules and Combiner Box - No trenches needed)
	DC Cables (between Combiner Box and Inverter)
	Power Supply network
	Communication network (Profibus)
	Fence
	Weather Station
	Access Gate



Reference Drawings: Description, Revision, Revision Information, Amended by, Checked by, Date, Drawn, FvN, Date, Engineer, Approved, Date, Scale, Dwg. Size				KENTZ (Pty) Ltd Engineers & Constructors Member of the SNC-Lavalin Group Vanderbijlpark, South Africa Tel: +27 16 910 9300 Fax: +27 16 923 4541				KEREN Energy Disselfontein (Pty) Ltd 201220387307 SITE LAYOUT			
Vendor Drawing No.				Sheet 01				Revision A			
Kertz Drawing No. E0026-K2E-LAY-DIF				Dwg. Size A0				Vendor Drawing No.			