

1

2

3

4

A

B

C

D

E

F

A

B

C

D

E

F

FOR EARTH BRACKET
DETAILS SEE DRAWING
No. D-DT 7331

FOR CROSS ARM
DETAILS SEE DRAWING
No. D-DT 7649/2

POLE MAY BE TUBULAR
OR COFFIN SHAPED

CHANNEL WELDED ONTO POLE
(SEE DRAWING No. D-DT 7649/3)

PLAN ON CROSS ARM ANGLES

SEE ENLARGED
DETAIL 1

ENLARGED DETAIL 1

L (HEIGHT ABOVE GROUND LEVEL)

1800

1875

1875

DIM TO HOLE ON CROSS ARM

GROUND LEVEL

ELEVATION ON POLE

THIS DRAWING IS RELEVANT FOR
GUYED AND FREESTANDING STRUCTURES

DIM TO HOLE ON CROSS ARM

ATTACHMENT HEIGHT DETAIL

HEIGHT A.G.L.(m)	C A H (m)			
	L	B	M	T
18.2	10.80	12.675	14.55	18.2
19.2	11.80	13.675	15.55	19.2
20.1	12.70	14.575	16.45	20.1
21.2	13.80	15.675	17.55	21.2
22.7	15.30	17.175	19.05	22.7
24.2	16.80	18.675	20.55	24.2

REV	REVISION DESCRIPTION	BY	CHKD	AUTH	DATE	PROJECT NO.
---	-----	---	---	---	---/---/---	-----
---	-----	---	---	---	---/---/---	-----

AUTH:	A. BEKKER
DATE:	JULY 2002
CHKD:	B. BRANFIELD
DATE:	JUNE 2002
DRAWN:	S. LE ROUX
DATE:	JUNE 2002

DISTRIBUTION TECHNOLOGY RETICULATION/SUB-TRANSMISSION LINES SINGLE CIRCUIT GUYED INTERMEDIATE STEEL POLE - GENERAL ARRANGEMENT				
D-DT 7641		SET 4	SHEET 1	REVISION A

1

2

3

4 A4L

1

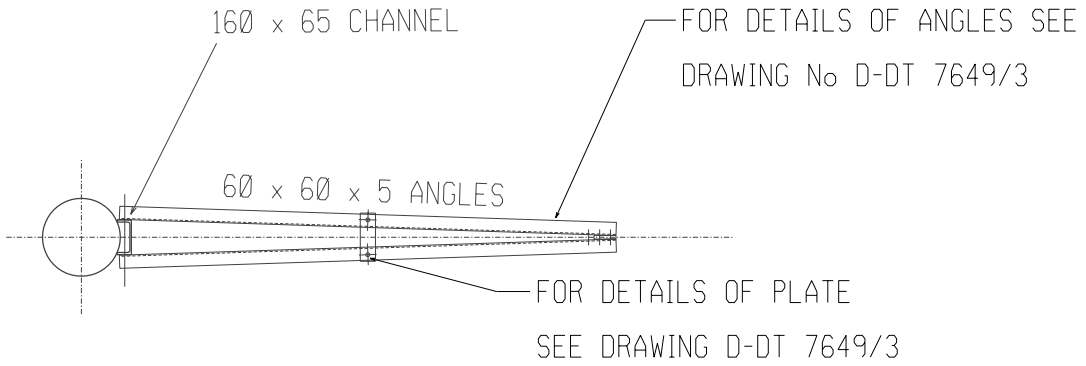
2

3

4

A

A



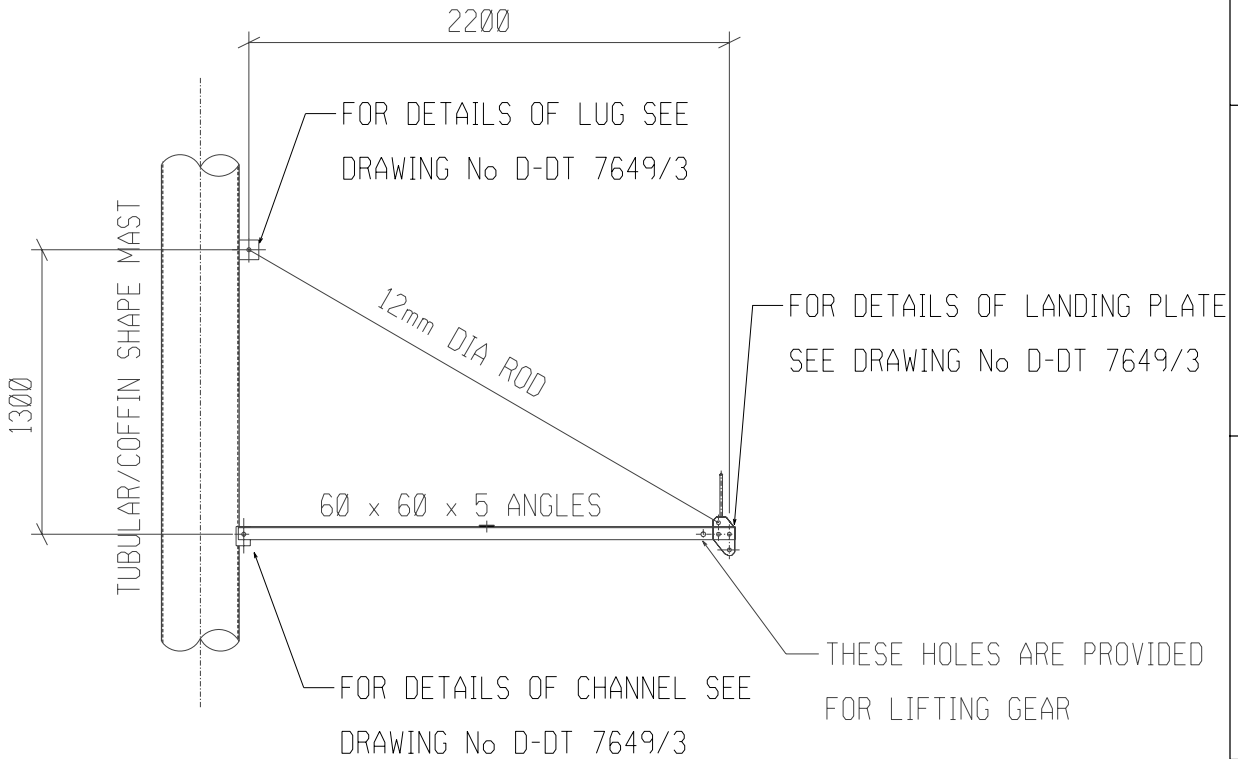
B

B

PLAN ON CROSS ARM ANGLES

C

C



D

D

ELEVATION ON CROSS ARM

NOTE:
ALL BOLTS USED TO BE M16 GRADE 8.8 BOLTS

E

E

REV	REVISION DESCRIPTION	BY	CHKD	AUTH	DATE	PROJECT NO.
---	-----	---	---	---	--/--/---	-----
---	-----	---	---	---	--/--/---	-----

F

F

<p>Eskom Distribution</p> <p>AUTH: A. BEKKER</p> <p>DATE: JULY 2002</p> <p>CHKD: B. BRANFIELD</p> <p>DATE: JUNE 2002</p> <p>DRAWN: S. LE ROUX</p> <p>DATE: JUNE 2002</p>	<p>DISTRIBUTION TECHNOLOGY</p> <p>RETICULATION/SUB-TRANSMISSION LINES</p> <p>SINGLE CIRCUIT GUYED INTERMEDIATE</p> <p>STEEL POLE - LAYOUT OF CROSS ARM</p>						
	D-DT 7641				SET	SHEET	REVISION
					4	2	A

1

2

3

4 A4L

1

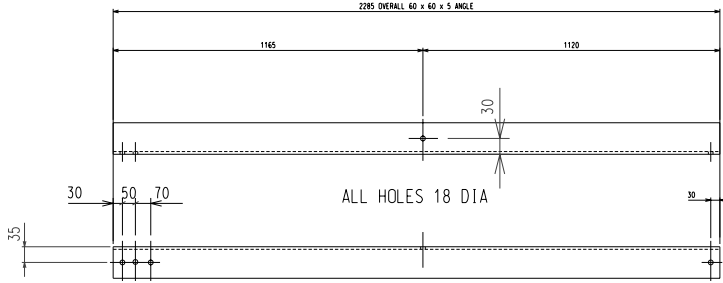
2

3

4

A

A

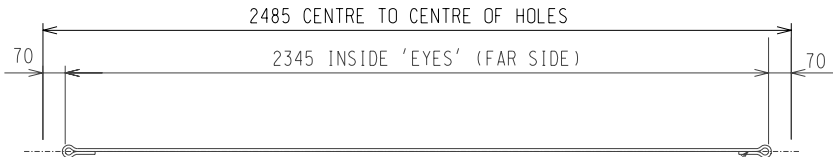


ONE ANGLE REQUIRED AS DRAWN
ONE ANGLE REQUIRED TO OPP HAND

NOTE:
ALL BOLTS USED
TO BE M16 GRADE
8.8 BOLTS

B

B

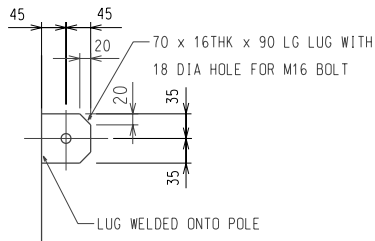


DETAIL OF 12mm DIA ROD

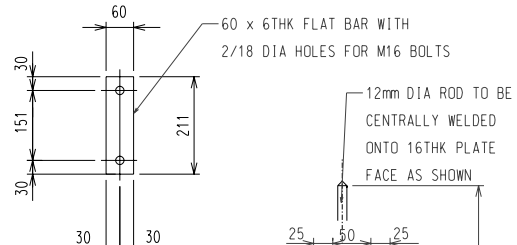
6mm FILLET WELD

C

C



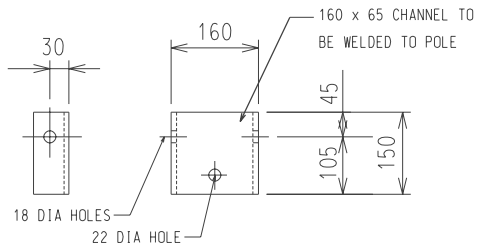
DETAIL OF LUG 'L1'



DETAIL OF PLATE 'P1'

D

D



DETAIL OF CHANNEL CONNECTION

100 x 16THK x 175LG LANDING
PLATE WITH 18 DIA HOLES FOR
M16 BOLTS

DETAIL OF LANDING PLATE

E

E

REV	REVISION DESCRIPTION	BY	CHKD	AUTH	DATE	PROJECT NO.
---	-----	---	---	---	---/---/---	-----
---	-----	---	---	---	---/---/---	-----

F

F



AUTH: A. BEKKER

DATE: JULY 2002

CHKD: B. BRANFIELD

DATE: JUNE 2002

DRAWN: S. LE ROUX

DATE: JUNE 2002

DISTRIBUTION TECHNOLOGY
RETICULATION/SUB-TRANSMISSION LINES
SINGLE CIRCUIT GUYED INTERMEDIATE
STEEL POLE - X-ARM FABRICATION DRAWING

D-DT 7641

SET

4

SHEET

3

REVISION

A

1

2

3

4 A4L

1

2

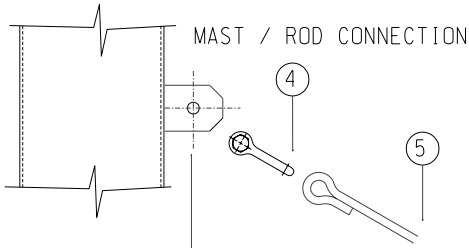
3

4

MASS OF CROSS ARM:
 ANGLES (Total) = 20 kg
 CONNECTIONS/PLATES = 10 kg
 BOLTS = 1 kg

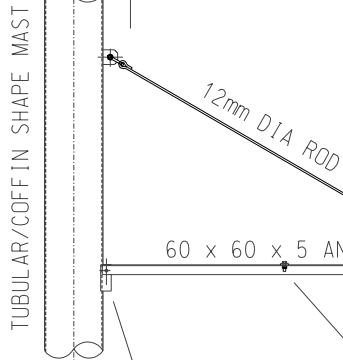
A

A

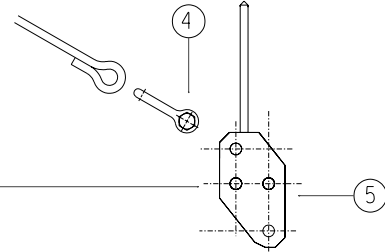


B

B

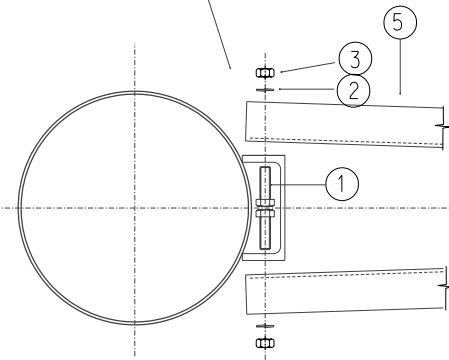


ROD / LANDING PLATE CONNECTION

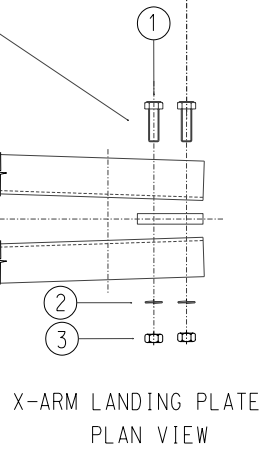
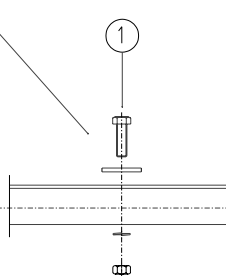


C

C



X-ARM STIFFENER PLATE
SIDE VIEW



D

D

REF	DESCRIPTION	DRAWING NO.
1	SET SCREW, M16 x 50 LG GRADE 8.8	
2	WASHER, SPRING, M16	
3	NUT, M16	
4	SHACKLE, D 120KN	D-DT 7017
5	SUSP. ARM ASSEMB, 132KV	

E

E

REV	REVISION DESCRIPTION	BY	CHKD	AUTH	DATE	PROJECT NO.
---	---	---	---	---	---	---
---	---	---	---	---	---	---

F

F

Eskom
Distribution

AUTH: A. BEKKER

DATE: JULY 2002

CHKD: B. BRANFIELD

DATE: JUNE 2002

DRAWN: S. LE ROUX

DATE: JUNE 2002

DISTRIBUTION TECHNOLOGY
 RETICULATION/SUB-TRANSMISSION LINES
 SINGLE CIRCUIT GUYED INTERMEDIATE
 STEEL POLE - X-ARM FABRICATION DRAWING

D-DT 7641

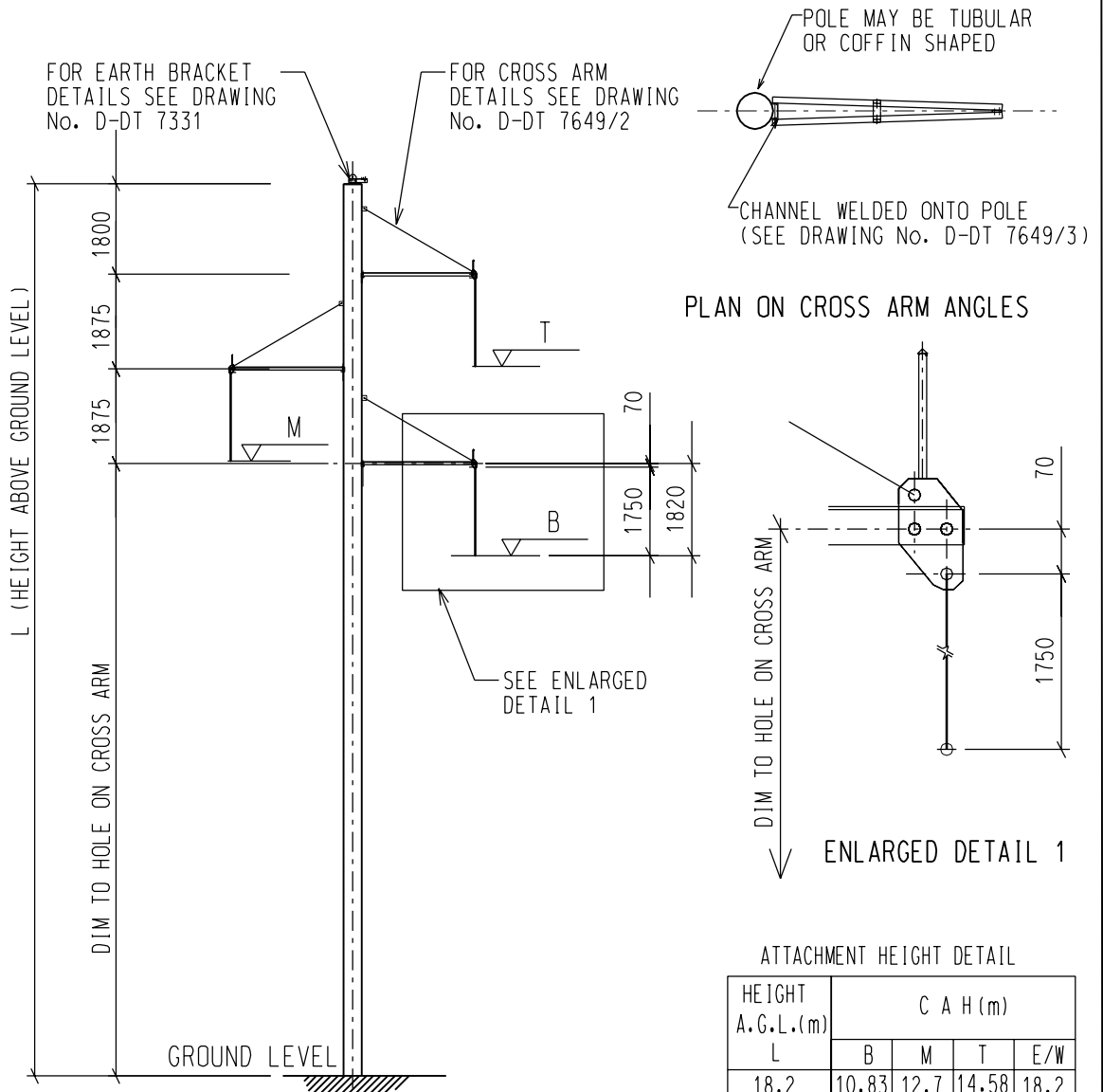
SET	SHEET	REVISION
4	4	A

1

2

3

4 A4L




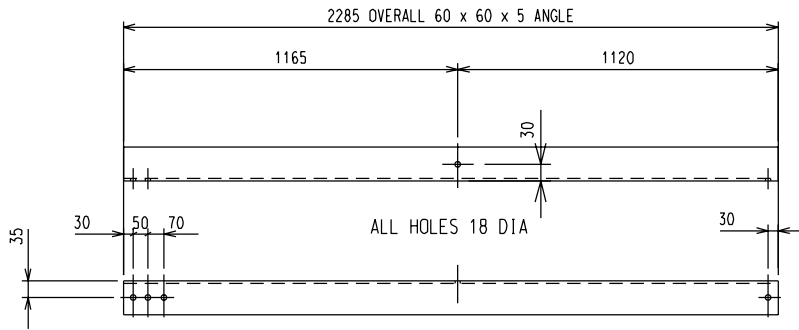
ELEVATION ON POLE

THIS DRAWING IS RELEVANT FOR GUYED AND FREESTANDING STRUCTURES

ATTACHMENT HEIGHT DETAIL

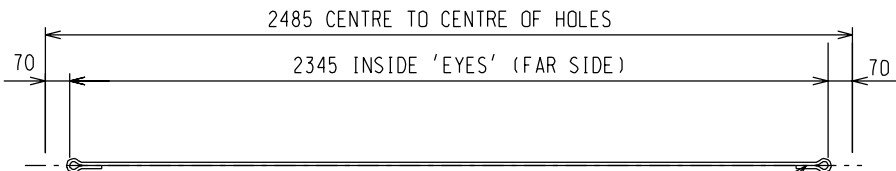
HEIGHT A.G.L.(m)	C A H (m)			
	B	M	T	E/W
18.2	10.83	12.7	14.58	18.2
19.2	11.83	13.7	15.58	19.2
20.1	12.73	14.6	16.48	20.1
21.2	13.83	15.7	17.58	21.2
22.7	15.33	17.2	19.08	22.7
24.2	16.83	18.7	20.58	24.2

Ø	AB	15.03 2002	FIRST ISSUE/EERSTE UITREIKING	SLR	RAB		
REV	AUTH MAG	DATE DATUM	REVISION/REVISIES INDEX REF/INDEKSVERW	BY DEUR	CHKD NAGES	D-DT-	REFERENCE DRAWINGS
DRG.TEK REGISTR				DISTRIBUTION TECHNOLOGY 132KV SUSPENSION X-ARM GENERAL ARRANGEMENT FOR SINGLE STEEL POLE STRUCTURE			
CHKD NAGES	RAB	16.03 2002					
DRAWN GETEKEN	SLR	15.03 2002	APPROVED AB	CAD.REF:	D-DT 7649/1		REV
SCALE SKAAL	NTS		26/04/2002	FILE No.:			0



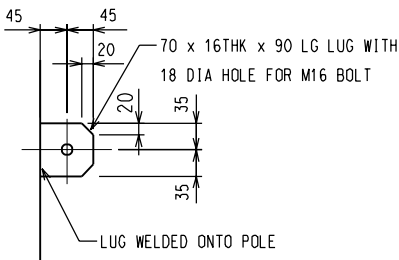
ONE ANGLE REQUIRED AS DRAWN
ONE ANGLE REQUIRED TO OPP HAND

NOTE:
ALL BOLTS USED
TO BE M16 GRADE
8.8 BOLTS



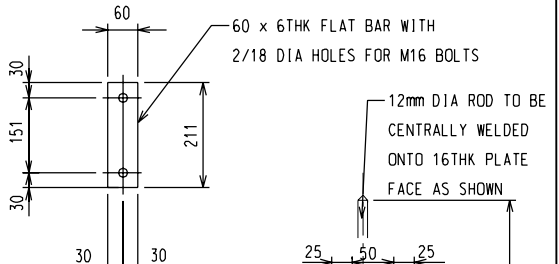
DETAIL OF 12mm DIA ROD

6mm FILLET WELD



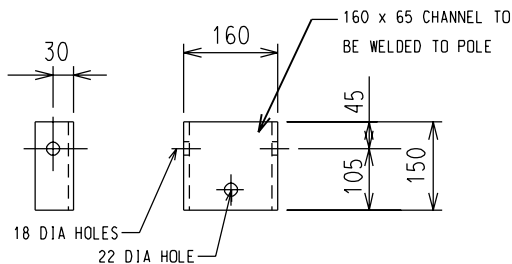
DETAIL OF LUG 'L1'

60 x 6THK FLAT BAR WITH
2/18 DIA HOLES FOR M16 BOLTS



DETAIL OF PLATE 'P1'


12mm DIA ROD TO BE
CENTRALLY WELDED
ONTO 16THK PLATE
FACE AS SHOWN

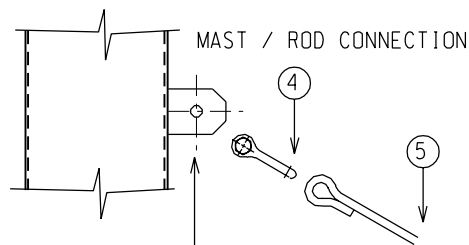


DETAIL OF CHANNEL CONNECTION

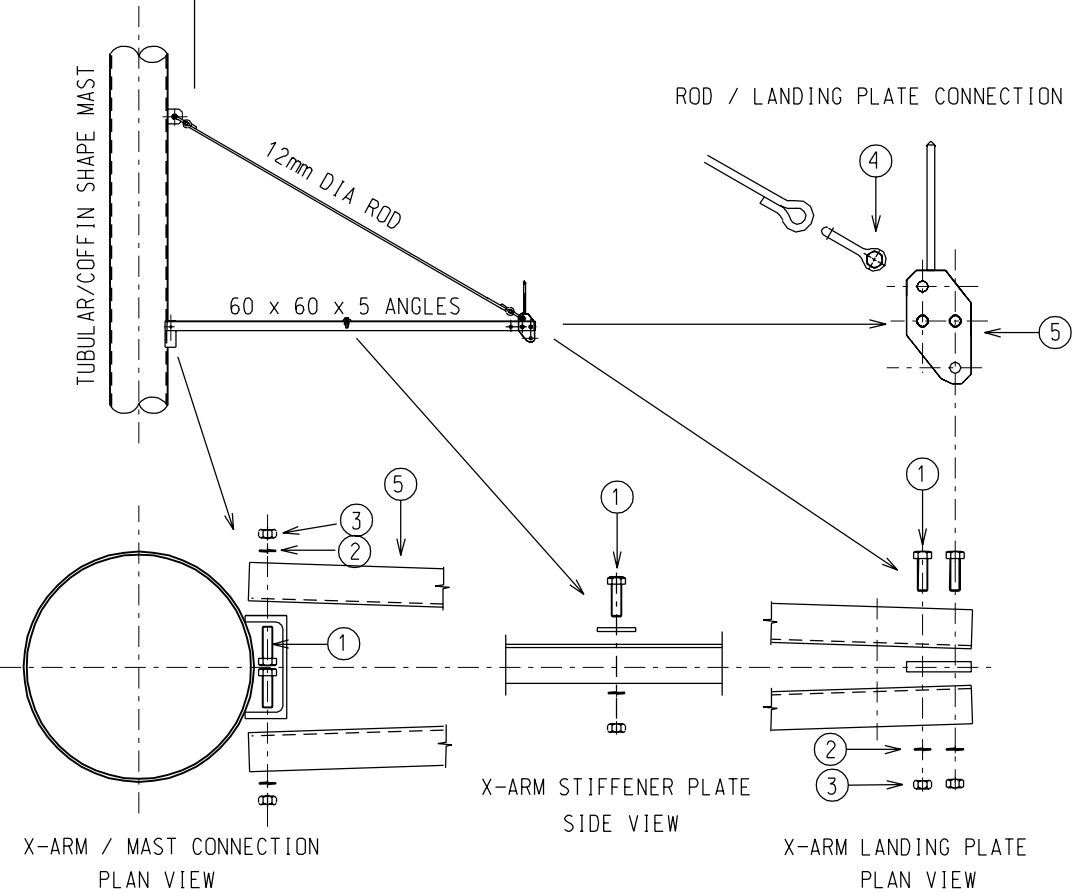
100 x 16THK x 175LG LANDING
PLATE WITH 18 DIA HOLES FOR
M16 BOLTS

DETAIL OF LANDING PLATE

Ø	AB	15.03 2002	FIRST ISSUE/EERSTE UITREIKING	SLR	RAB						
REV	AUTH MAG	DATE DATUM	REVISION/REVISIES INDEX REF/INDEKSVERW	BY DEUR	CHKD NAGES	D-DT-	REFERENCE DRAWINGS				
DRG. TEK REGISTR				<p>DISTRIBUTION TECHNOLOGY 132KV SUSPENSION X-ARM FABRICATION DRAWING</p>							
CHKD NAGES	RAB	16.03 2002									
DRAWN GETEKEN	SLR	15.03 2002						APPROVED AB	CAD. REF:		REV
SCALE SKAAL	NTS							26/04/2002	FILE No.:	D-DT 7649/3	0



MASS OF CROSS ARM:
 ANGLES (Total) = 20 kg
 CONNECTIONS/PLATES = 10 kg
 BOLTS = 1 kg



REF	DESCRIPTION	DRAWING NO.
1	SET SCREW, M16 x 50 LG GRADE 8.8	
2	WASHER, SPRING, M16	
3	NUT, M16	
4	SHACKLE, D 120KN	D-DT 7017
5	SUSP. ARM ASSEMB, 132KV	

REV	AUTH MAG	DATE DATUM	REVISION/REVISIES INDEX REF/INDEKSVERW	BY DEUR	CHKD NAGES	D-DT - REFERENCE DRAWINGS VERWYSINGSTEKENINGE
0	AB	15.03 2002	FIRST ISSUE / EERSTE UITREIKING	SLR	RAB	

DRG. TEK REGISTR				DISTRIBUTION TECHNOLOGY 132KV SUSPENSION X-ARM ASSEMBLY		
CHKD NAGES	RAB	16.03. 2002				
DRAWN GETEKEN	SLR	15.03. 2002	APPROVED AB	CAD.REF:	D-DT 7649/4	REV
SCALE SKAAL	N.T.S.		26/04/2002	FILE No.:		0