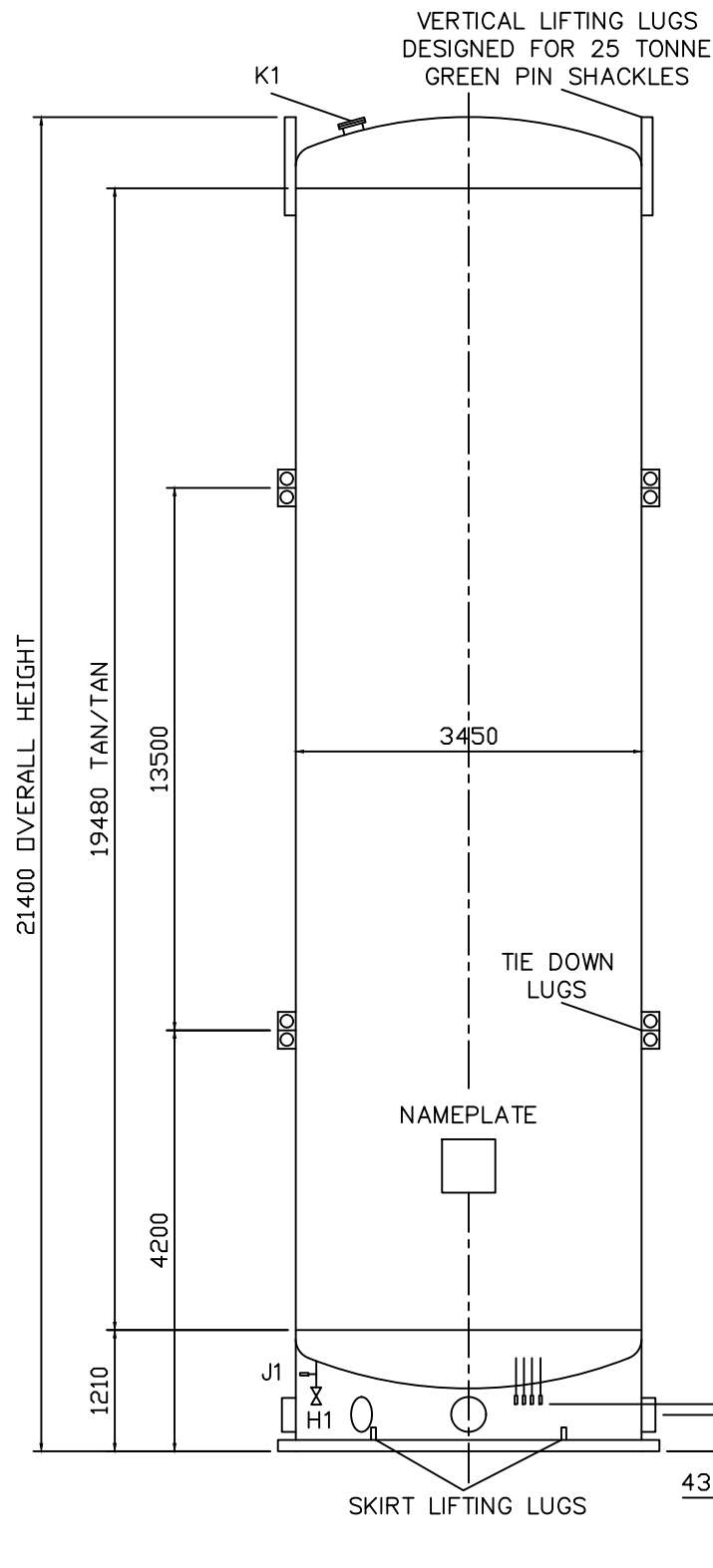
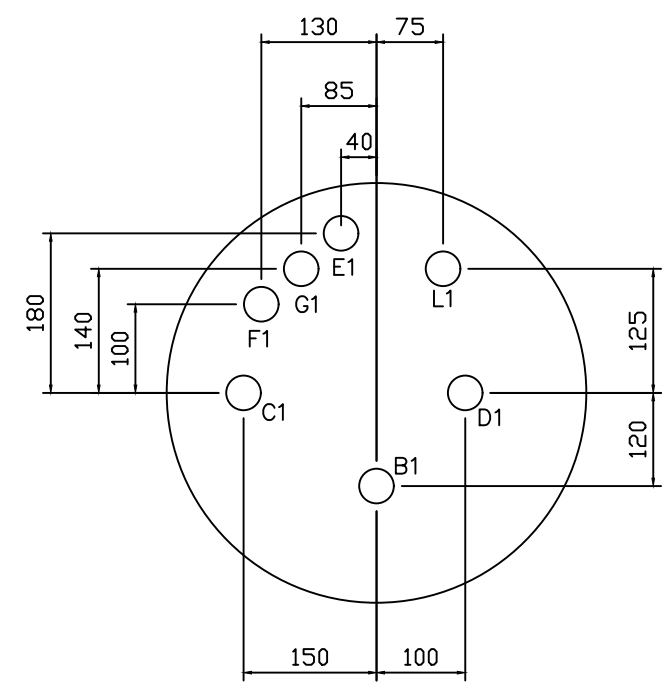
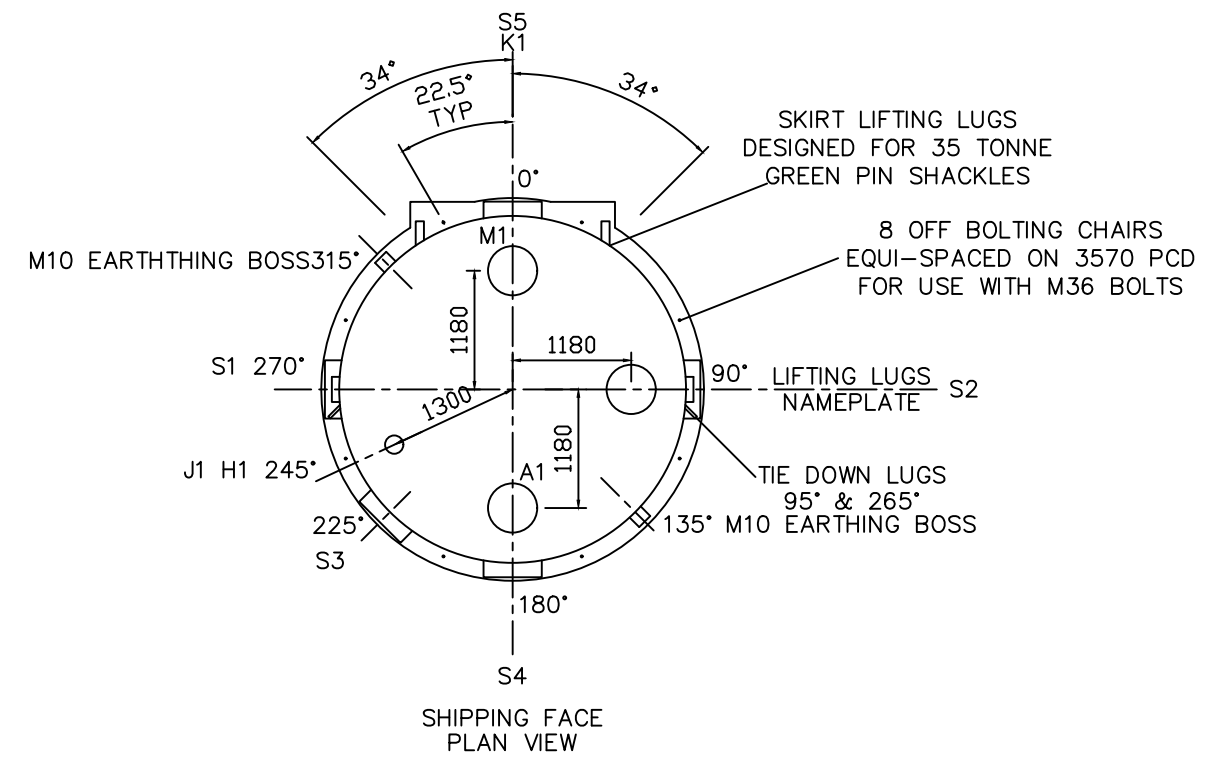


A1



- NOTES
- 1 ALL OPEN CONNECTIONS TO BE SUITABLY BLANKED AGAINST THE WEATHER AND TO MAINTAIN CLEANLINESS
 - 2 ALL DIMENSIONS ARE APPROXIMATE AND ARE MM UNLESS OTHERWISE STATED.
 - 3 EXTERNAL TREATMENT - AIR PRODUCTS STANDARD M04 WITH PRIMER TO AIR PRODUCTS STANDARD M03 FINISH COLOR; SIGMACLAD 'INTEL 8017'
 - 4 FOR SHIPPING & LIFTING PROCEDURE SEE TY4984C
 - 5 TANK TO BE PRESSUREISED FOR SHIPPING USING CLEAN DRY AIR TO 0.4 BAR
 - 6 FOR JACKED DRAWING SEE TY5654B

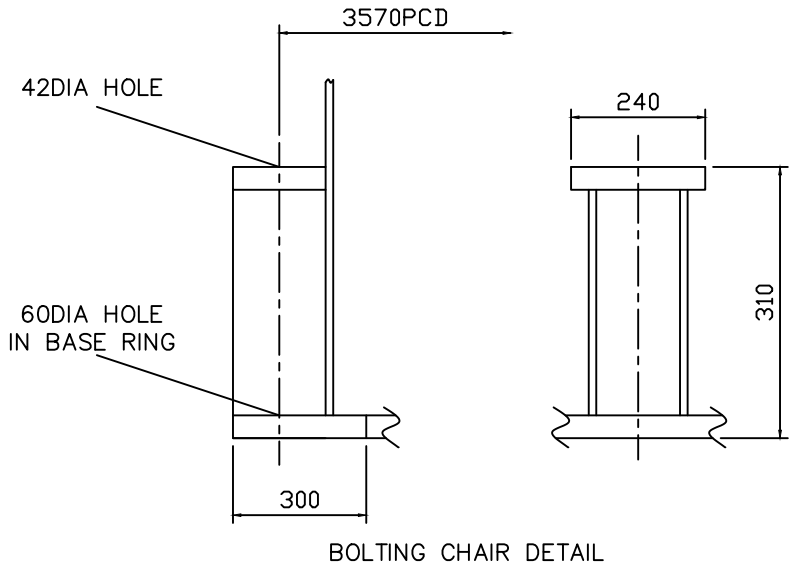
NOZZLE	SIZE	SERVICE	END CONNECTION
A1	3"NB	LIQUID WITHDRAWAL	BW FOR 3"NB SCH40 PIPE
B1	1 1/2"NB	BOTTOM FILL	SW FOR 1.1/2"NB PIPE
C1	1 1/2"NB	TOP FILL	SW FOR 1.1/2"NB PIPE
D1	1 1/2"NB	VAPOUR VENT	SW FOR 1.1/2"NB PIPE
E1	1/2"OD	TRYCOCK	SW FOR 1/4"NB PIPE
F1	1/2"OD	UPPER LIQUID LEVEL	SW FOR 1/4"NB PIPE
G1	1/2"OD	LOWER LIQUID LEVEL	SW FOR 1/4"NB PIPE
H1	3"NB	EVACUATION VALVE CONNECTION	150 ANSI FLANGE
J1	3"NB	VACUUM GAUGE CONNECTION	
K1	6"NB	JACKET EMERGENCY VENT	
L1	1 1/2"NB	VAPOUR VENT	SW FOR 1.1/2"NB PIPE
M1	2"NB	PUMP RECYCLE	BW FOR 2"NB SCH10S PIPE
S1-S5	600mm ID	SKIRT MANWAYS / PIPEWAYS	



TERMINATION	DIMENSION 'A'
A1	490
B1	510
C1	510
D1	510
E1	500
F1	500
G1	500
L1	410
M1	490

TOTAL WEIGHT OF TANK IN KG
TANK EMPTY - 41590
97% FULL N2 - 150120

LOADS
WIND TO BS CP3 1972
SHEAR = 72.75KN
OVERTURNING MOMENT = 778.4KN



THIS DRAWING IS THE PROPERTY OF AIR PRODUCTS SOUTH AFRICA (PTY.)LTD. IT MUST NOT BE REPRODUCED OR USED FOR PURPOSES OTHER THAN FOR WHICH IT WAS SUPPLIED.

GENERAL ARRANGEMENT FOR
127M VERTICAL TANK

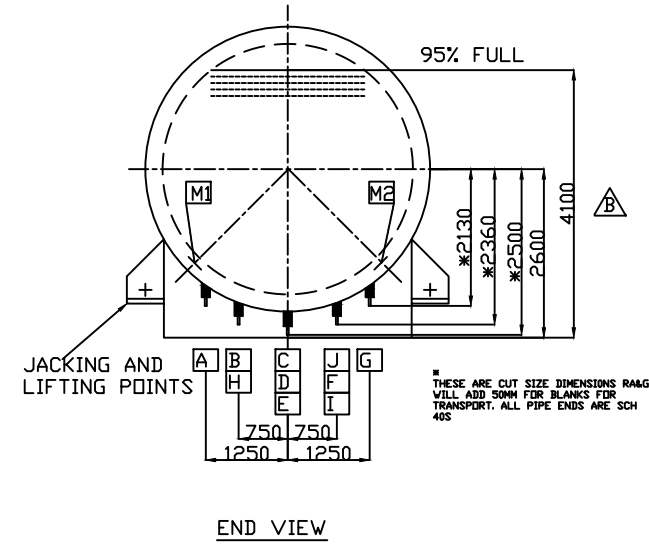
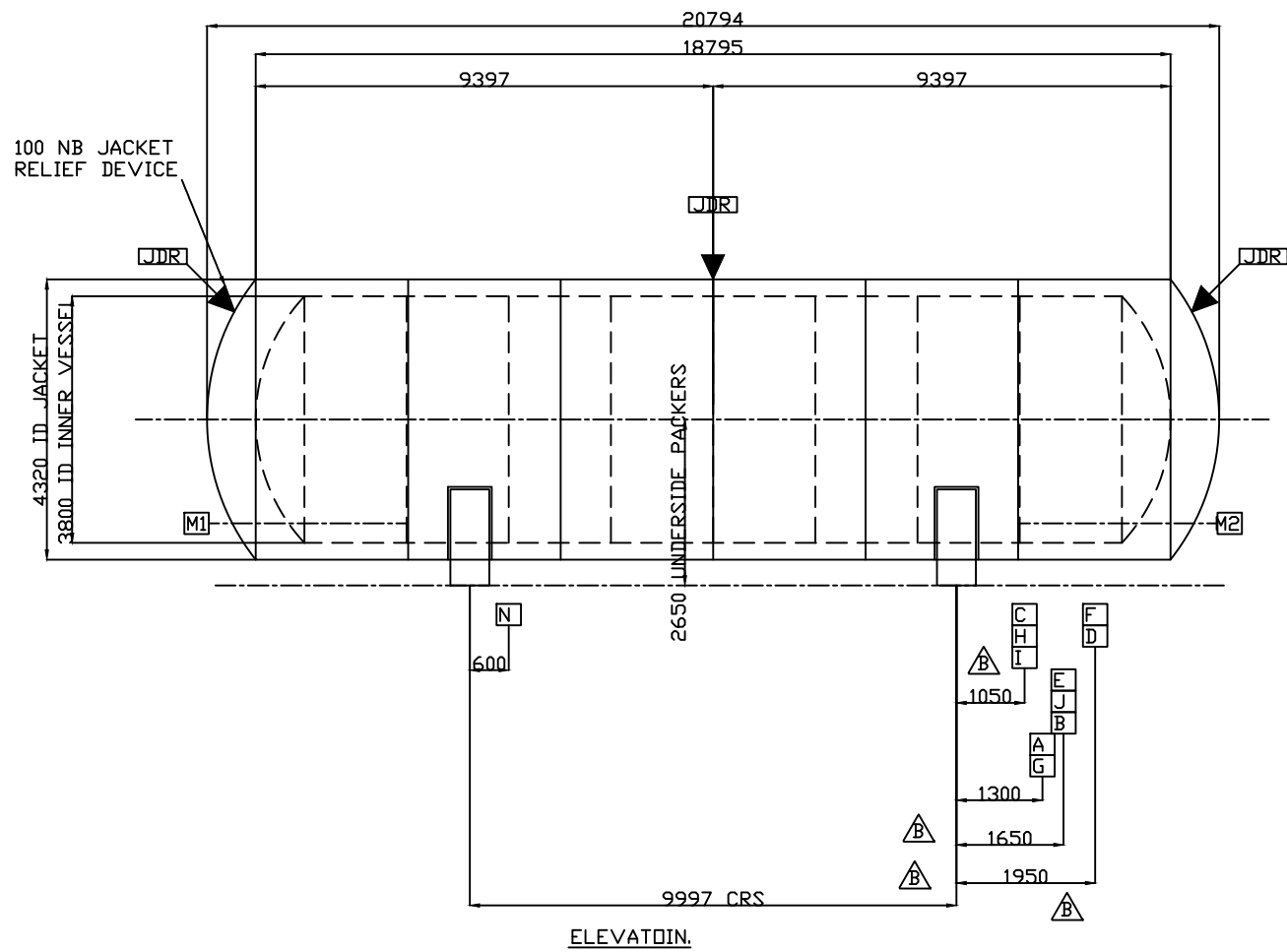
AIR PRODUCTS SOUTH AFRICA (PTY.) LIMITED



REV. No.	REVISIONS	DATE	DRAWN	CHK'D	APP'D
0	ORIGINAL	17-3-2020	G.BOUWER		

SCALE	AS SHOWN	FILE	TY5650D/00	DRG. No.	TY5650D/00	SHT. SIZE	SHEET
PLT SCALE	N.T.S	No.				A3	1 OF 1

A2



NOZZLE SCHEDULE		
REF	DESCRIPTION	SIZE
A	COMMISSIONING PURGE/COOL DOWN/ TOP FILL (NOTE 1)	50 NB
B	LIQUID INLET FILL	50 NB
C	LIQUID WITHDRAWAL (NOTE 2)	80 NB
D	LIQUID WITHDRAWAL (NOTE 2)	80 NB
E	LIQUID TO PRESSURE RAISING	50 NB
F	GAS FROM PRESSURE RAISING	80 NB
G	SAFETY RELIEF	80 NB
H	LIQUID TO INSTRUMENTS	15 NB
I	GAS TO INSTRUMENTS	15 NB
J	TRI COCK 95% FULL	15 NB
M	EVACUATION PORT / PERLITE FILTER	50 NB
N	VACUUM GAUGE CONNECTION	1/8"NPT
JRD	JACKET RELIEF DEVICE	100 NB

NOTES:
 1) NOZZLE FITTED WITH FULL LENGTH INTERNAL SPRAY HEADER
 2) ANTI VORTEX DEVICES TO BE FITTED ON C AND D

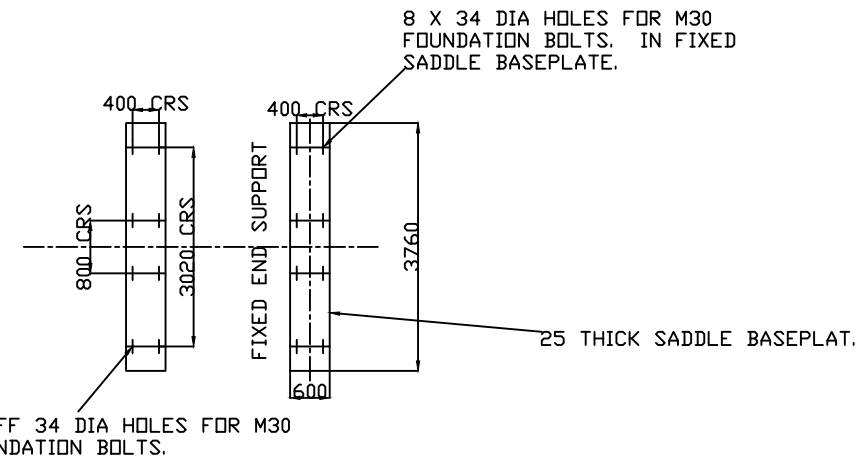
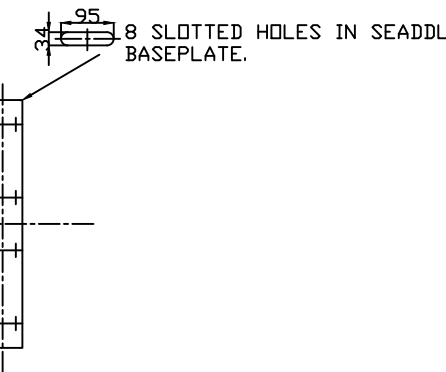
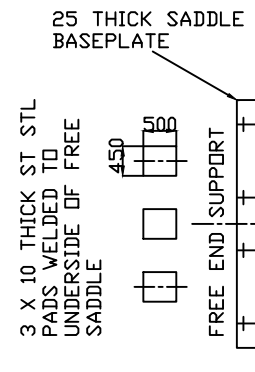
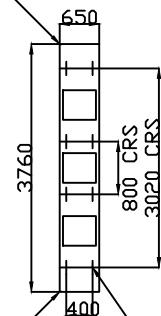
- SPECIFICATIONS**
- 4067-01 GENERAL ARRANGEMENT
 - 4067-02 INNER VESSEL ASSEMBLY & DET'S SHT.1
 - 4067-03 INNER VESSEL DETAILS SHEET 2
 - 4067-04 DISHED END DETAILS.
 - 4067-06 JACKET ASSEMBLY AND DETAILS SHT. 1.
 - 4067-07 JACKET DETAILS SHEET 2.
 - 4067-08 JACKET DISHED END DETAILS.
 - 4067-09 P & I DIAGRAM.
 - 4067-10 NOZZLE C1&C2 GA'S AND DETAILS.
 - 4067-11 NAMEPLATE DETAILS.
 - 4067-31 SUPPORT DETAILS
 - 4067-32 INSTRUMENT LINES
 - 4067-ML 1300 MATERIAL LIST.
 - 4067-ML 1301 MATERIAL LIST.

DESIGN DATA:

DESIGN CODE;	PD 5500; 2006, CAT 2
DESIGN PRESSURE (TOP);	700 kPa(abs)
M. A. W. P. (TOP);	600 kPa(g)
MAX. EXTERNAL OPERATING PRESSURE	-100 kPa(g)
HYDROSTATIC HEAD	50 kPa(g)
DESIGN/OPERATING TEMPERATURE	-196 C TO 50 C
HYDROSTATIC TEST PRESSURE	875 kPa(g)
RADIOGRAPY---LONG SEAMS	100%
RADIOGRAPY---CIRC SEAMS	10%
FIRST SAFETY VALVE SETTING	600 kPa(g)
SECOND SAFETY VALVE SETTING	660 kPa(g)
CONTENTS	LIQUID ARGON
GROSS VOLUME	200 000
NETT VOLUME	190 000
MAX. FILL LEVEL;	95%
MASS EMPTY;	KG 51 350
MASS FULL ARGON 95% (SG= 1.4)	KG 252 215

INNER VESSEL THICKNESS;
 CYLINDRICAL SECTION;
 DISHED ENDS;

3 X ST. STL. PADS 500 X450 X10 THICK WELDED TO 25 THICK BASEPLATE
 430 X 380 X5 THICK VIRGEN PTFE PADS TO BE BONDED TO ST. STL. PADS.



25 THICK MS BASEPLATE SECURED AND GROUTED TO CONCRETE BASE.
 8 HOLES 34 DIA FOR M30 FOUNDATION BOLTS.

PLAN VIEW ON SADDLE BASEPLATS

REV. No.	DESCRIPTION	DATE	DRAWN	CHK'D	APP'D
0	ORIGINAL	12/3/2020			
	REVISIONS				

THIS DRAWING IS THE PROPERTY OF AIR PRODUCTS SOUTH AFRICA (PTY.)LTD. IT MUST NOT BE REPRODUCED OR USED FOR PURPOSES OTHER THAN FOR WHICH IT WAS SUPPLIED.

200 m3 O2 STORAGE VESSEL.
 AIR PRODUCTS - COLUMBUS STEEL
 GENERAL ARRANGEMENT.

AIR PRODUCTS SOUTH AFRICA (PTY.) LIMITED						AIR PRODUCTS	
SCALE	AS SHOWN	FILE No.	ST-303001-2	DRG. No.	ST-303001-2	SHT.SIZE	SHEET
PLT SCALE	1:1					A3	1 OF 1