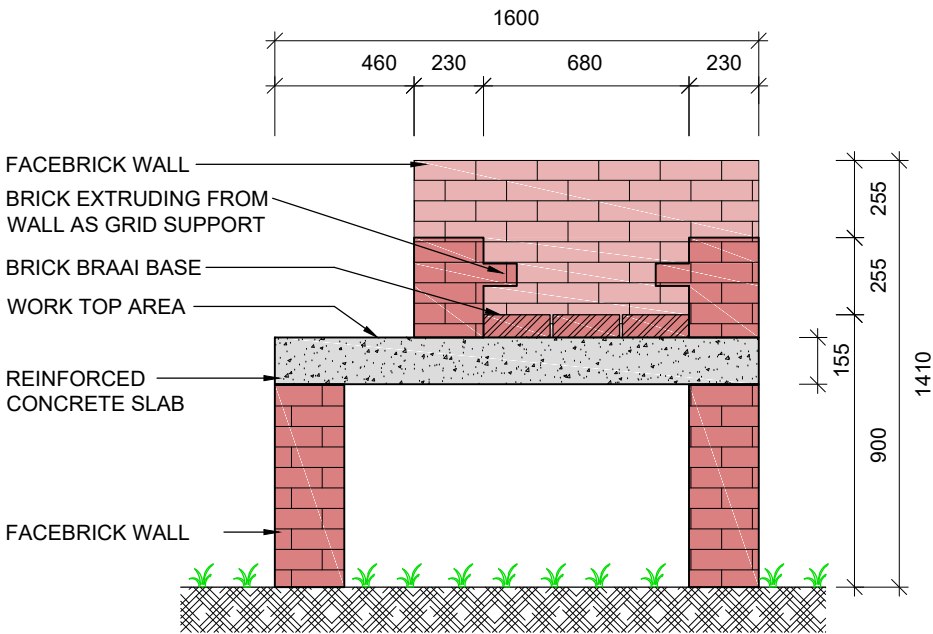
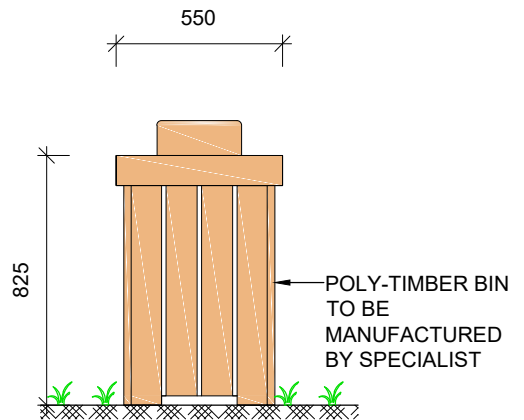


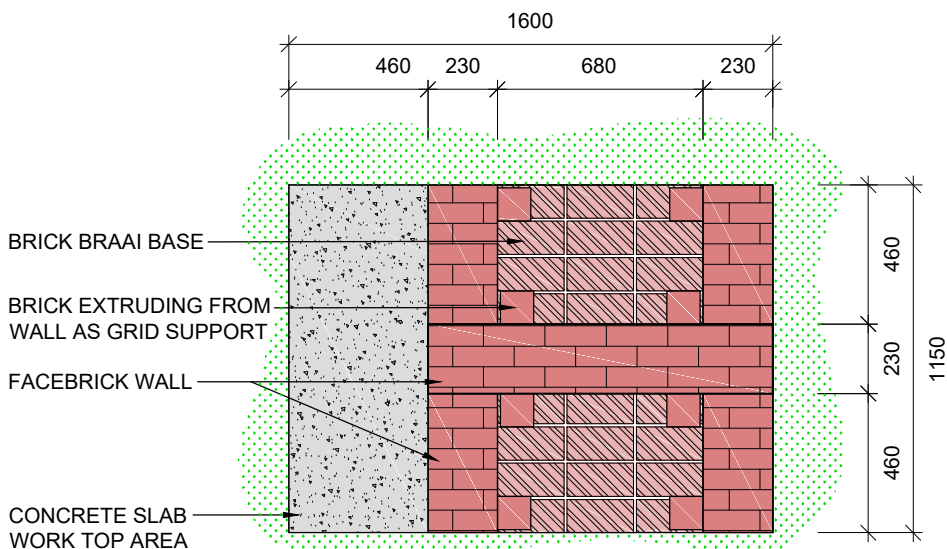
TYPICAL 2 x BRAAI
ELEVATION 2



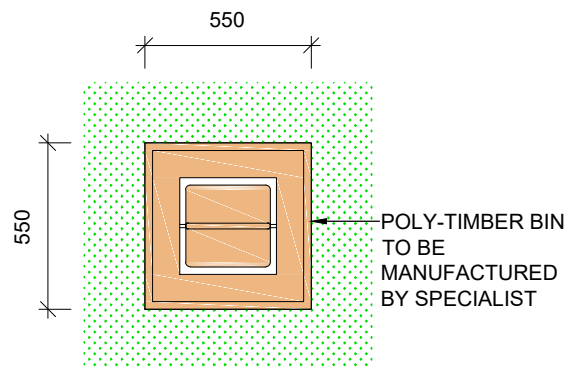
TYPICAL 2 x BRAAI
ELEVATION 1



TYPICAL BIN
ELEVATION



TYPICAL 2 x BRAAI
PLAN



TYPICAL BIN
PLAN