

**P4**  
 Y= +9862.999  
 X= +3153875.854

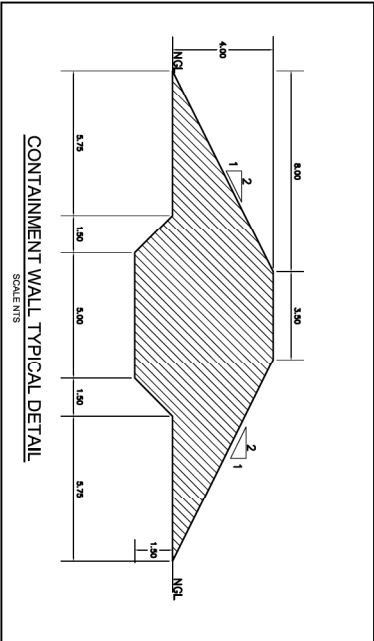
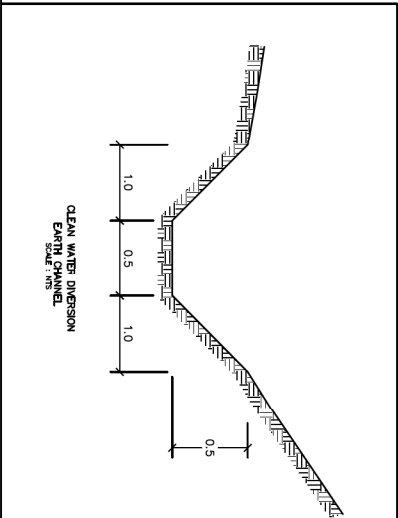
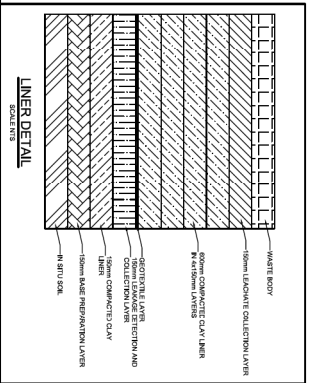
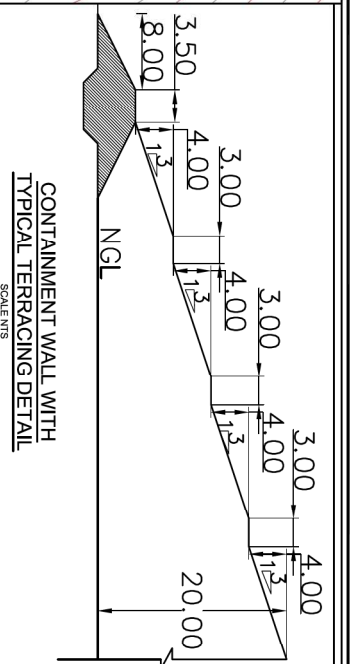


**P2**  
 Y= +10327.012  
 X= +3154285.188

**P3**  
 Y= +10210.450  
 X= +3153695.329

**P1**  
 Y= +13704.260  
 X= +3154394.008

WATER AND SEWER  
 TO TIE IN TO MUNICIPAL SUPPLY



<p>1400001-001 00</p>	<p>PROJECT: WASTE CONSTRUCTION WASTE          DRAWING NO: 1400001-001          DATE: 2024-08-01          SCALE: 1:15</p>	<p>FOR APPROVAL</p> <p>DESIGNED BY: [Signature]          CHECKED BY: [Signature]          APPROVED BY: [Signature]</p>	<p>CLIENT: [Client Name]          PROJECT: WASTE CONSTRUCTION WASTE          ADDRESS: [Address]          CONTACT: [Contact Info]</p>	<p>LAND FILL SITE          WASTE CONSTRUCTION WASTE          WASTE CONSTRUCTION WASTE          WASTE CONSTRUCTION WASTE          WASTE CONSTRUCTION WASTE</p>
-----------------------	--	--	--	---