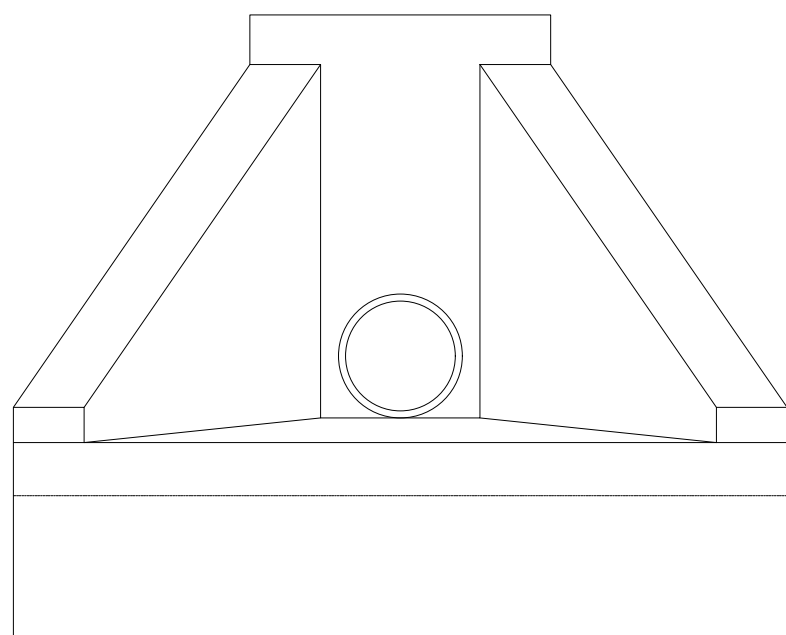
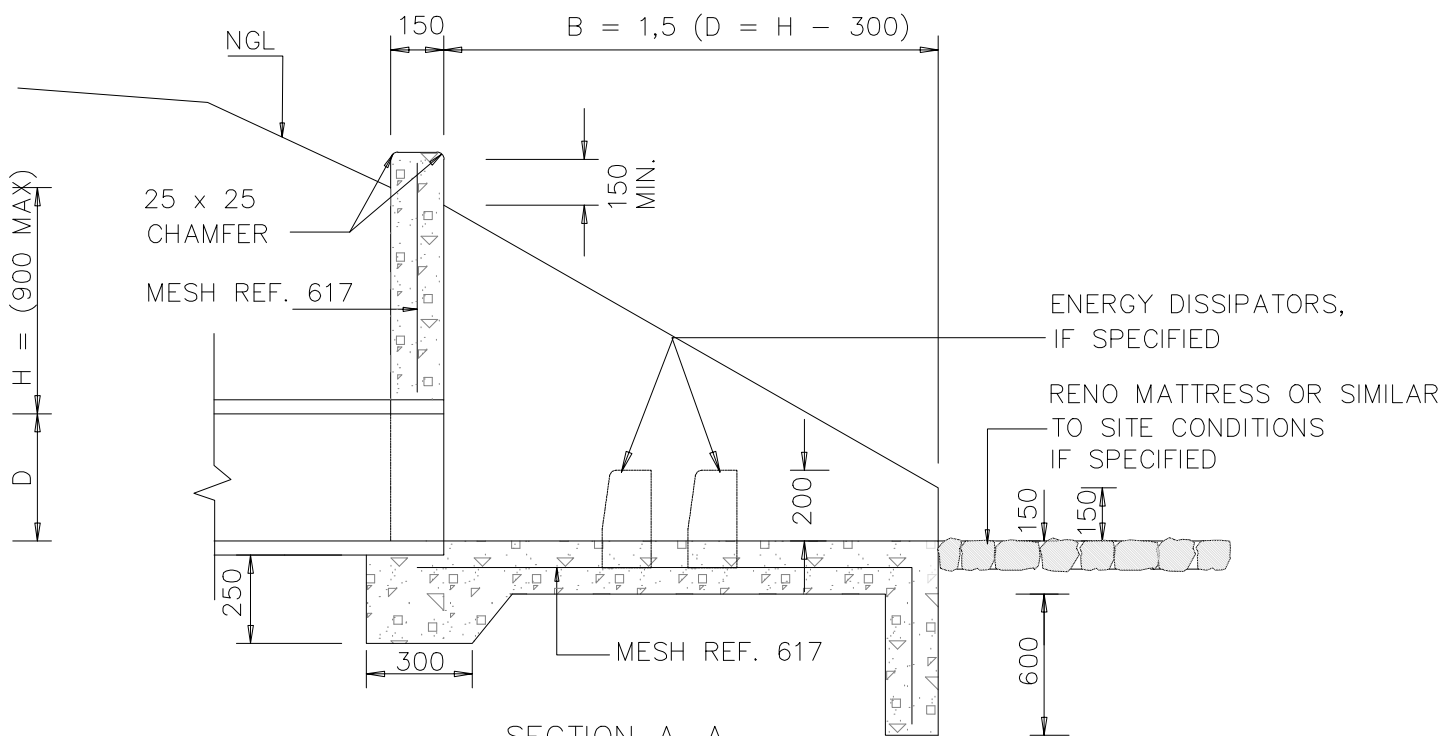
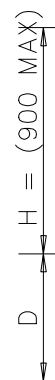


PLAN

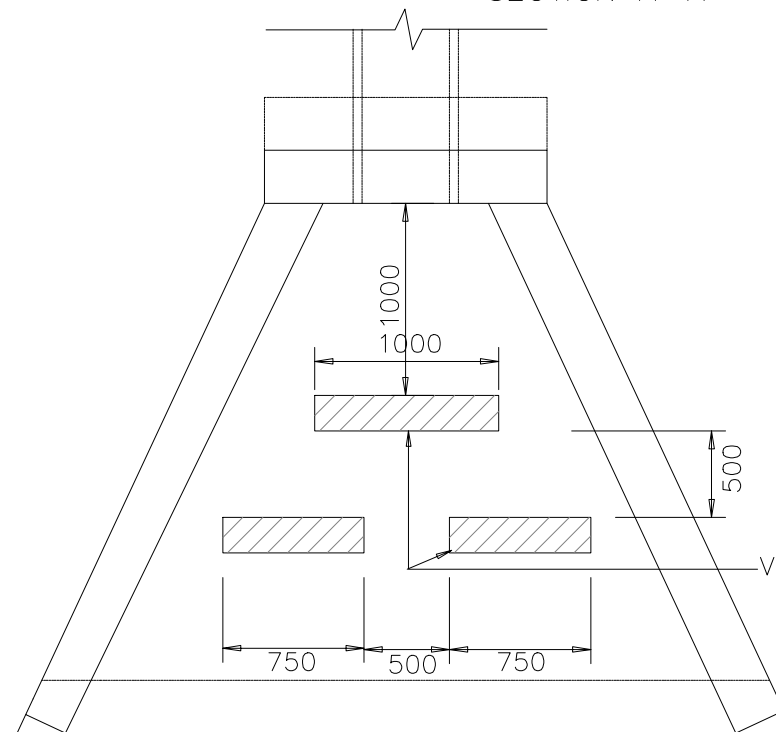
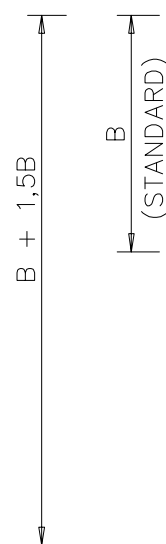


FRONT ELEVATION

IF $H > 1200\text{mm}$ A DESIGNED CONCRETE STRUCTURE MUST BE PROVIDED



SECTION A-A



PLAN
(SPECIAL STORMWATER OUTLET FOR USE
WHEN OUTLET VELOCITY EXCEEDS 2,0 m/s)

NOTES:

1. ALL CONCRETE IN INLET AND OUTLET STRUCTURE TO BE CLASS 20/19 WITH A WOOD FLOAT FINISH WITH 25 x 25 CHAMFER ON ALL EXPOSED EDGES.
2. MINIMUM COVER TO REINFORCEMENT = 25mm OR 40mm ON THE GROUND.
3. ALL ROAD WORKS TO COMPLY WITH SABS 1200 SPECIFICATIONS.

VERTICAL KERBING, FIG. 3

Client

S.S.S INVEST

Architect

+RONO ARCHITECTS+
+creating habitat, creating life+

Date	Description	By	Chk	App	Scale
21-10-19	ISSUED FOR INFORMATION	JTA	ZG	ZG	
Designed	Drawn	Checked	Approved	Date	Scale
JTA	J.T.A	Z.G.	Z.G.	OCT. 2019	

Drawing Title

TYPICAL HEADWALL
DETAIL

Project

PROPOSED TOWNSHIP ROOSBOOM
EXTENSION 1
SITUATED ON PORTION 437 & PORTION 502
OF THE FARM ROOSBOOM No. 1102-GS

Office 228
Killemey Office Towers
Killemey Mall
60 Rivers Road
Killemey
Johannesburg

Tel: +27 11 486 1082
Cell: +27 82 730 5786

P.O. Box 4869
Randburg
2125
South Africa

Job No. ENG 293

Drawing No. C-SW-04

Revision A