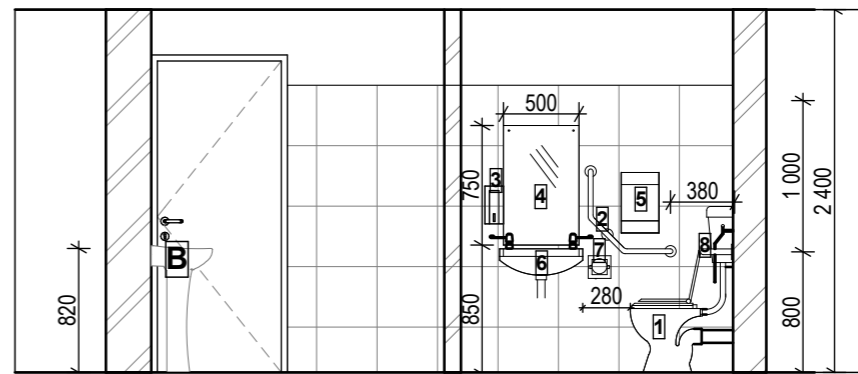
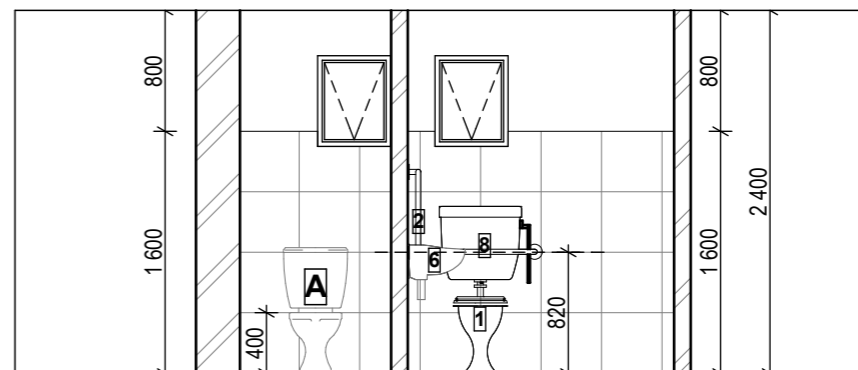


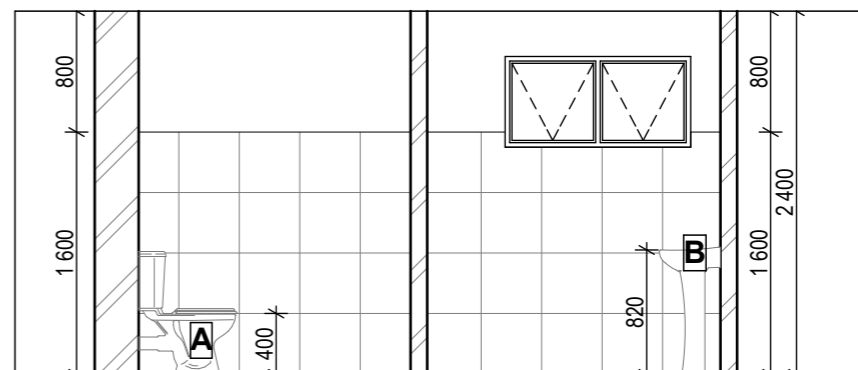
R1 ABLUTIONS PLAN 1:50



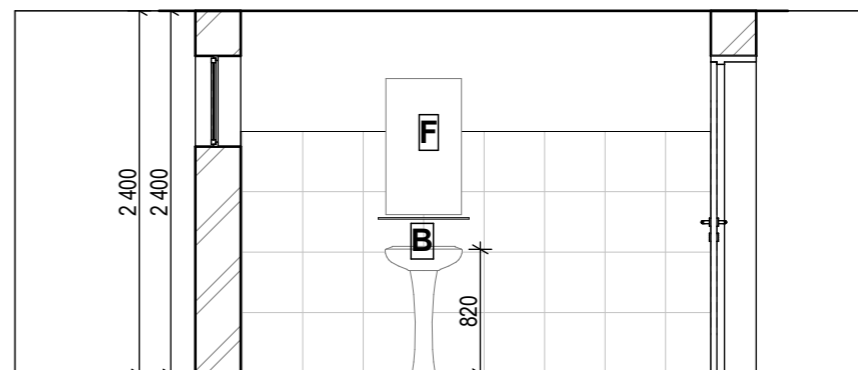
A ELEVATION 1:50



B ELEVATION 1:50



C ELEVATION 1:50



D ELEVATION 1:50

PARAPLEGIC TOILET FITTINGS AND ACCESSORIES:

- 1 FLOOR MOUNTED WC PAN CODE 750200 MANUFACTURED BY 'PROTEA' POTTERIES WITH A 91. LOW LEVEL 'PROTEA CISTERN' CODE 710536 WITH A PURPOSE MADE EXTENDED FLUSHING LEVER, AND AROUND CISTERN, FIT 32mm DIA. X 750mm LONG STAINLESS STEEL GRAB RAIL WITH HD PLASTIC SEAT.
- 2 32mm SILVER ANODISED SLIP STAINLESS STEEL GRAB RAIL, 900mm LONG TO BE DIVIDED INTO 3 EQUAL PARTS. BENT TWICE AT 45 DEGREES WITH FIXING FLANGES AT BOTH ENDS AND CENTRALLY.
- ALL RAILS TO BE SIMILAR AND EQUAL TO THOSE MANUFACTURED BY 'CHAIRMAN INDUSTRIES'
- 3 LIQUID SOAP DISPENSER SIMILAR AND EQUAL TO 'KLEENEX' BY KIMBERLY CLARK CODE: 329912
- 4 350 X 900 X 6mm PLATE GLASS MIRROR WITH POLISHED BEVELLED EDGES AND FIXED TO WALL WITH C.P. DOME HEADED SCREWS
- 5 PAPER TOWEL DISPENSER SIMILAR AND EQUAL TO 'KLEENEX' BY KIMBERLY CLARK CODE: 408112
PAPER TOWEL DISPOSER BY KIMBERLY CLARK CODE: 426213
- 6 NEW 'VAAL'HIBISCUS WHB OR EQUAL AND APPROVED, FIT AN ELBOW-ACTION PILLAR TAP SIMILAR AND EQUAL TO 'COBRA' NO 505 21 ON SIDE NEAREST TO WC.
- 7 175 x 175mm TOILET ROLL HOLDER CODE 654010.
- 8 32mm SILVER ANODISED SLIP STAINLESS STEEL GRAB RAIL 750mm LENGTH FROM CENTRE TO CENTRE, 206mm WIDE, TO BE DIVIDED INTO 3 PARTS. BENT TWICE AT 90° WITH FIXING FLANGES AT BOTH ENDS
- ALL RAILS TO BE SIMILAR AND EQUAL TO THOSE MANUFACTURED BY 'CHAIRMAN INDUSTRIES'
- WHEEL CHAIR LOGOS & DIRECTIONAL SIGNS TO BE ASSHOWN ON DRAWINGS AND TO BE SIMILAR AND EQUAL TO THOSE MANUFACTURED BY 'REFLECTO' SIGNS, AS FOLLOWS:
- INTERNAL SIGNS: GA2-GENERAL DIRECTION(150 x 150) GA10 - FEMALE TOILETS (150 x 150) GA11 - MALE TOILETS (150 x 150) GA22 - WHEELCHAIR (150 x 150) FROM ABS PLASTIC OR EQUAL AND APPROVED
- EXTERNAL SIGNS: GA2-GENERAL DIRECTION(190 x 190) GA10 - FEMALE TOILETS (190 x 190) GA11 - MALE TOILETS (190 x 190) GA22 - WHEELCHAIR (190 x 190) FROM EPOXY COATED CHROMADEX OF 0.6mm GAUGE OR EQUAL AND APPROVED (SEE SPECIFICATION OF FINISHES FOR QUANTITIES)

PARAPLEGIC TOILET DOOR SPECIFICATION

- DOOR SPEC & FINISH AS PER DOOR SCHEDULES
- FIX A DOOR-LOCK SET SIMILAR AND EQUAL TO 'UNION', DOVE REF. AL6D00-13/L-2205-78/78/2x13.FIT ALSO A SWING-OVER INDICATOR BOLT HAVING A 40mm HANDLE & EMERGENCY RELEASE FROM OUTSIDE SIMILAR AND EQUAL TO 'SOLID' 294 OR 'UNION' 80941.ON INSIDE OF DOOR FIX A GRAB RAIL, 300mm LONG X 19mm DIA. IN POSITION INDICATED ON DRAWING. FIX ON BOTTOM OF DOOR BOTH SIDES A 300mm HIGH 1.6mm THICK STAINLESS STEEL KICKING PLATE.

SANITARY FITTINGS AND ACCESSORIES:

- A Vaal Water Closet as per specification on drawing no. BIZ/ORTH-5005-WD.
- B Vaal Hand-wash Basin as per specification on drawing no. BIZ/ORTH-5005-WD.
- C Duravit D-Code Acrylic Built-In Bath or similar approved as per specification on drawing no. BIZ/ORTH-5005-WD
- D Insitu Square Concrete Shower Tray as per specification on drawing no. BIZ/ORTH-5005-WD
- E PRIMADOR or similar approved white powder coated aluminium single pivot shower enclosure/door as per specification on drawing no. BIZ/ORTH-5005-WD
- F Hansgrohe or similar approved wall mirror with frosted border as per specification on drawing no. BIZ/ORTH-5005-WD

NOTES:

ALL SPECIFICATIONS TO BE CHECKED WITH ARCHITECTS OR PRIMI PIATTI REPRESENTATIVE ON SITE.
ALL LIGHT FITTINGS TO BE SPECIFIED BY PRIMI PIATTI REPRESENTATIVE AND BE FITTED BY LIGHT SPECIALIST.

REVISIONS:

No.	Date	Description

Architect :

Client :

IDC Architects
East London • Port Elizabeth • Cape Town

IDC House
15 Belgrave Road
Belgravia
East London
5201

Tel : 043 743 0522
Fax : 043 743 0534
E-mail : info@idcarch.co.za
E-mail : idcarch@mweb.co.za

Client : **arts and culture**
Department:
Arts and Culture
REPUBLIC OF SOUTH AFRICA

Implementing Agent:
idt
Independent Development Trust

Project title:
OR TAMBO HOMESTEAD

Building :
Dwg title:
ABLUTIONS PLAN, ELEVATION

Dwg purpose: **FOR CONSTRUCTION**

Checked : B. Ilori	Drawn : L. Maliwa	Scale : 1:50
Rev. no.	Date 11 February 2013	Paper size A3

Project no. **BIZ/ORTH/**

Dwg. no. **BIZ/ORTH/5013-WD**