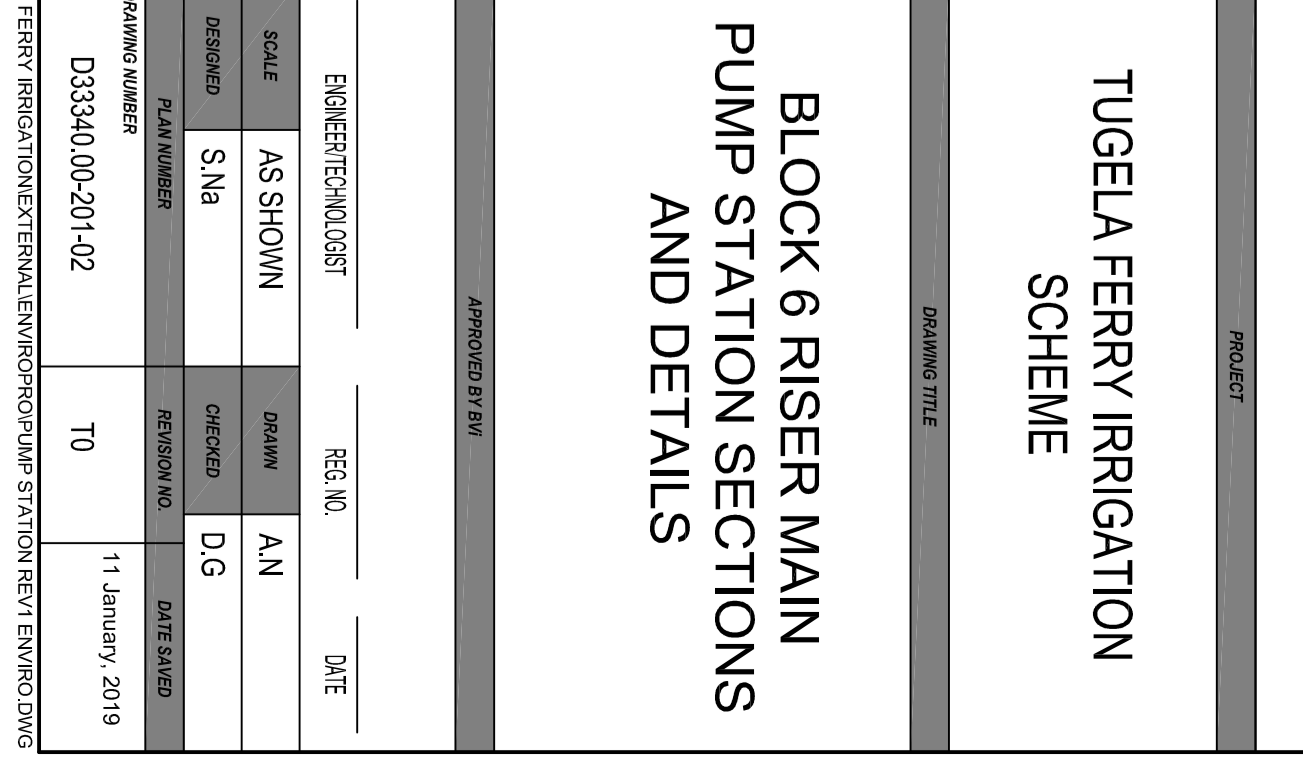
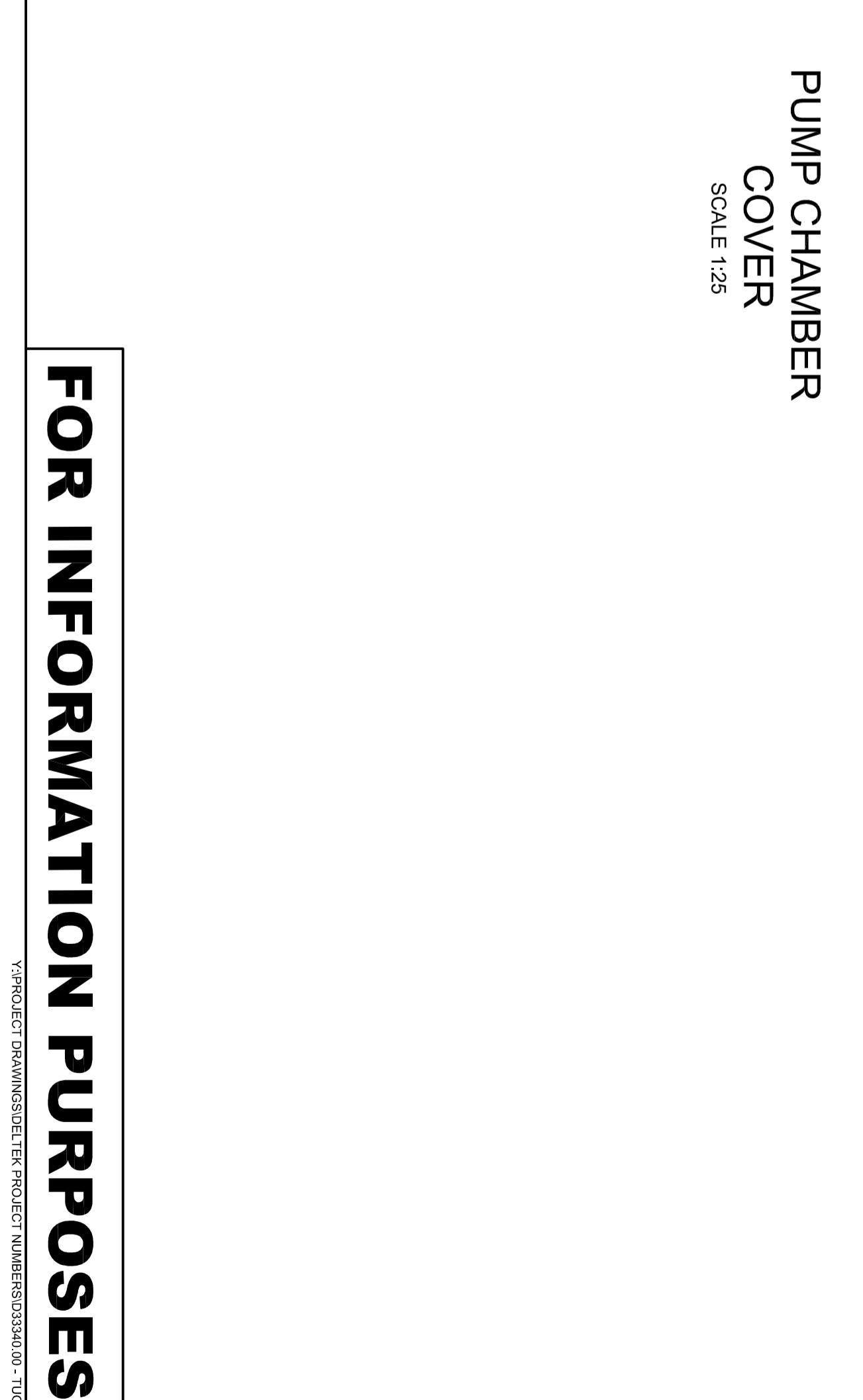
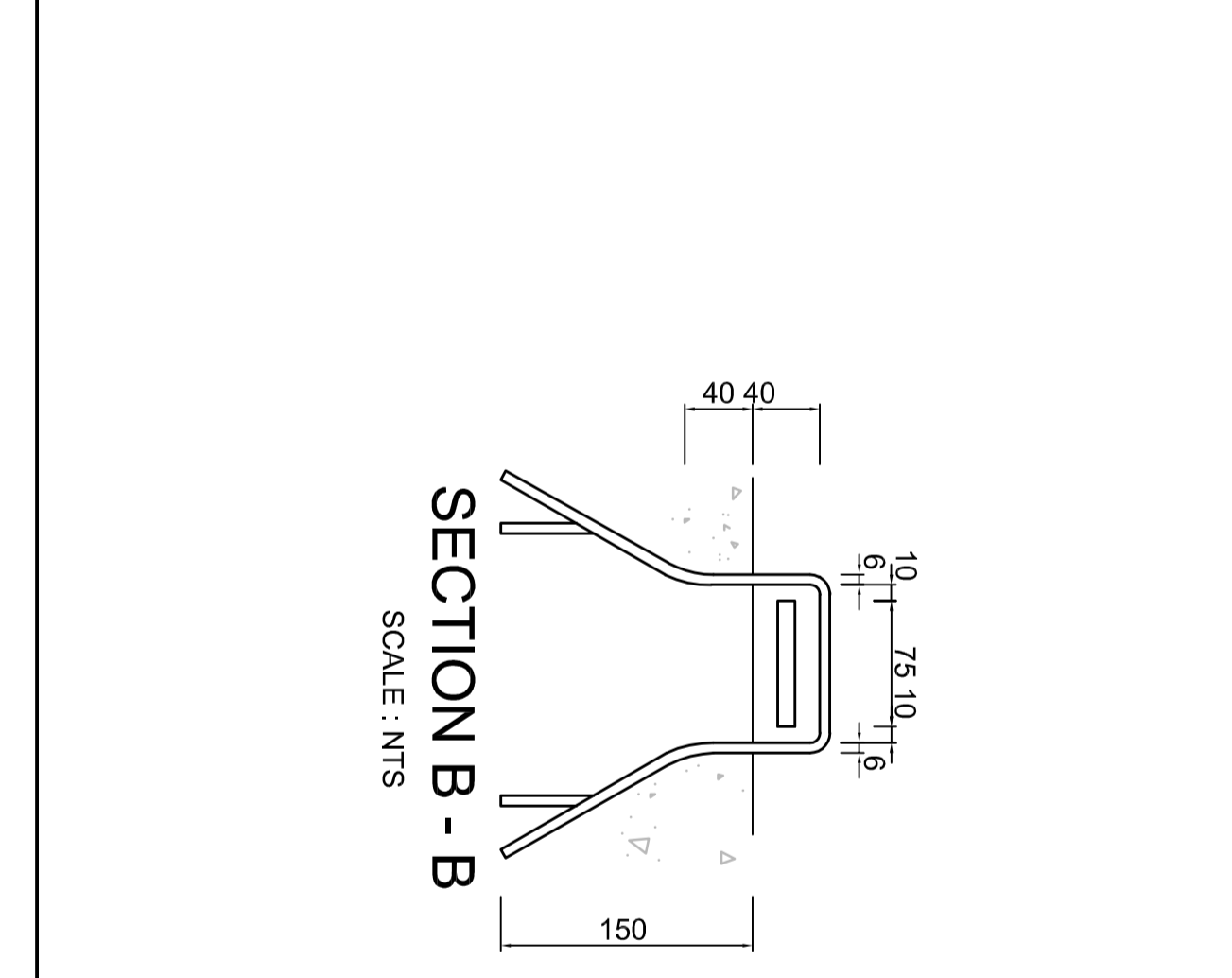
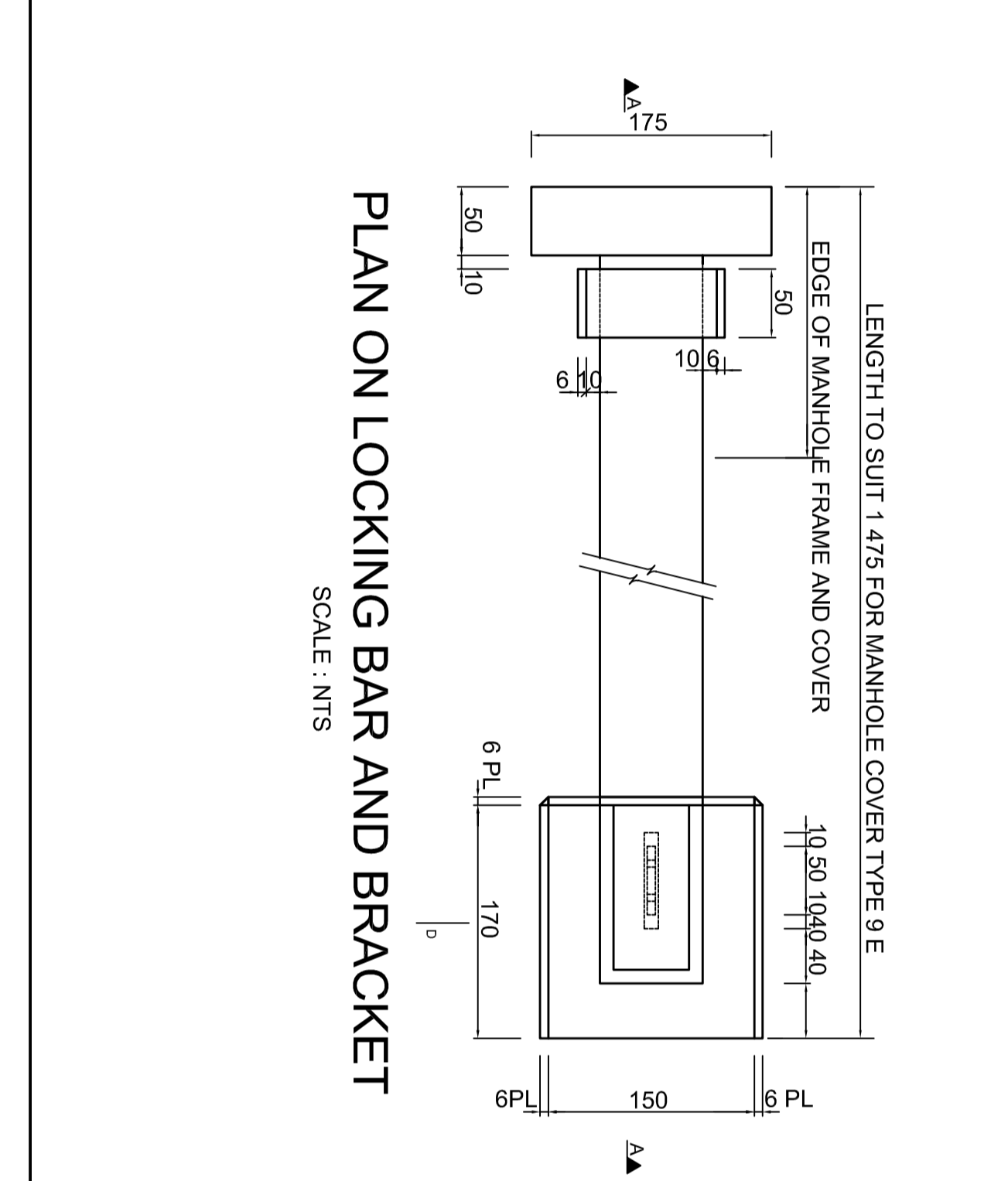
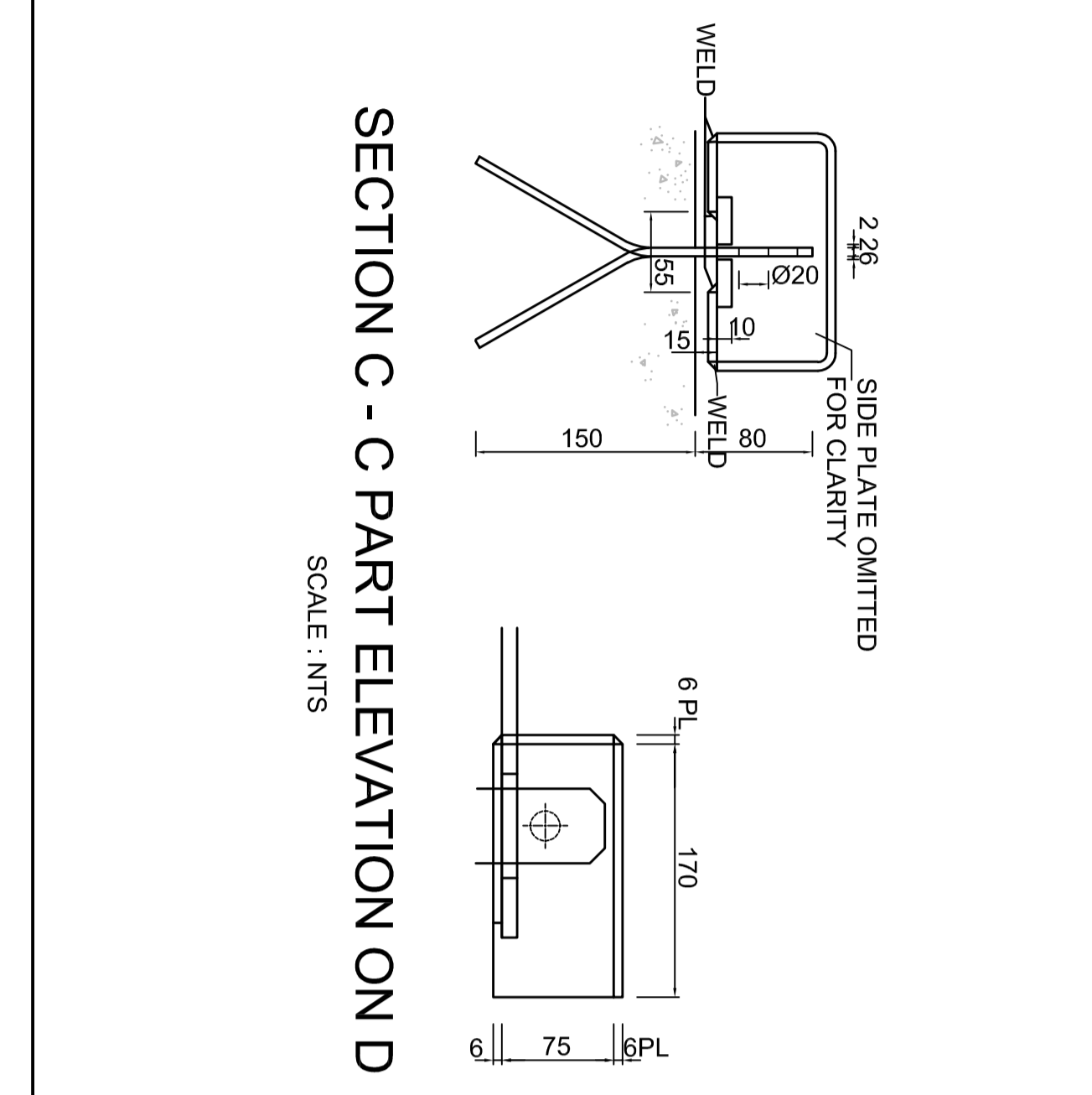
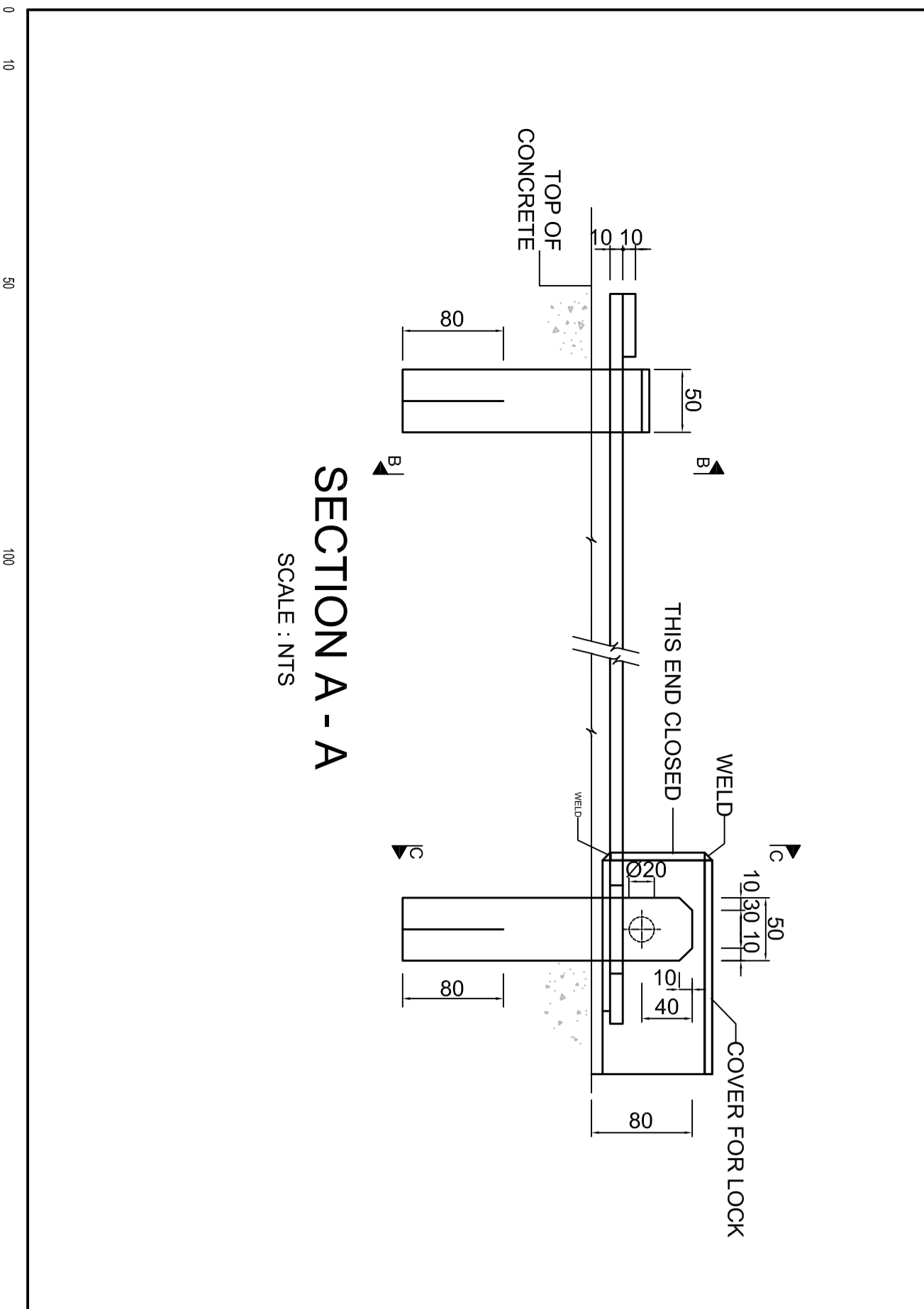
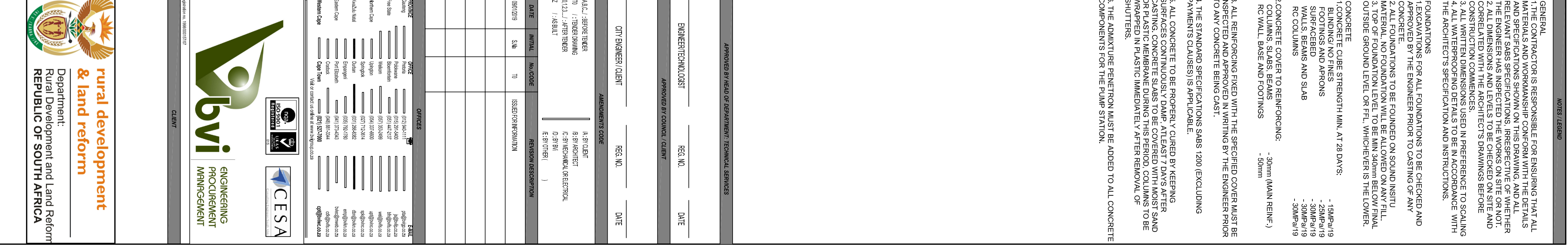
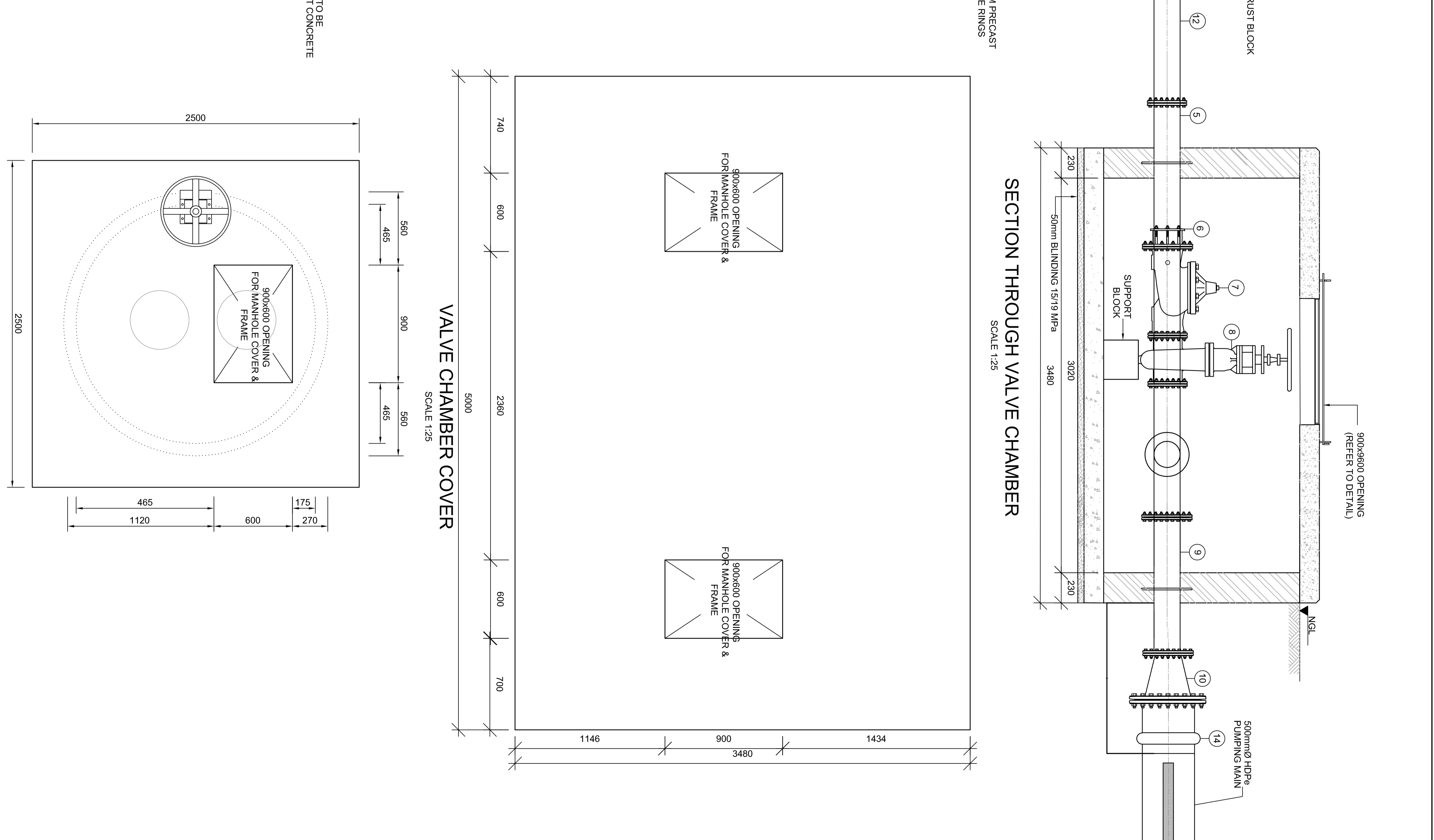
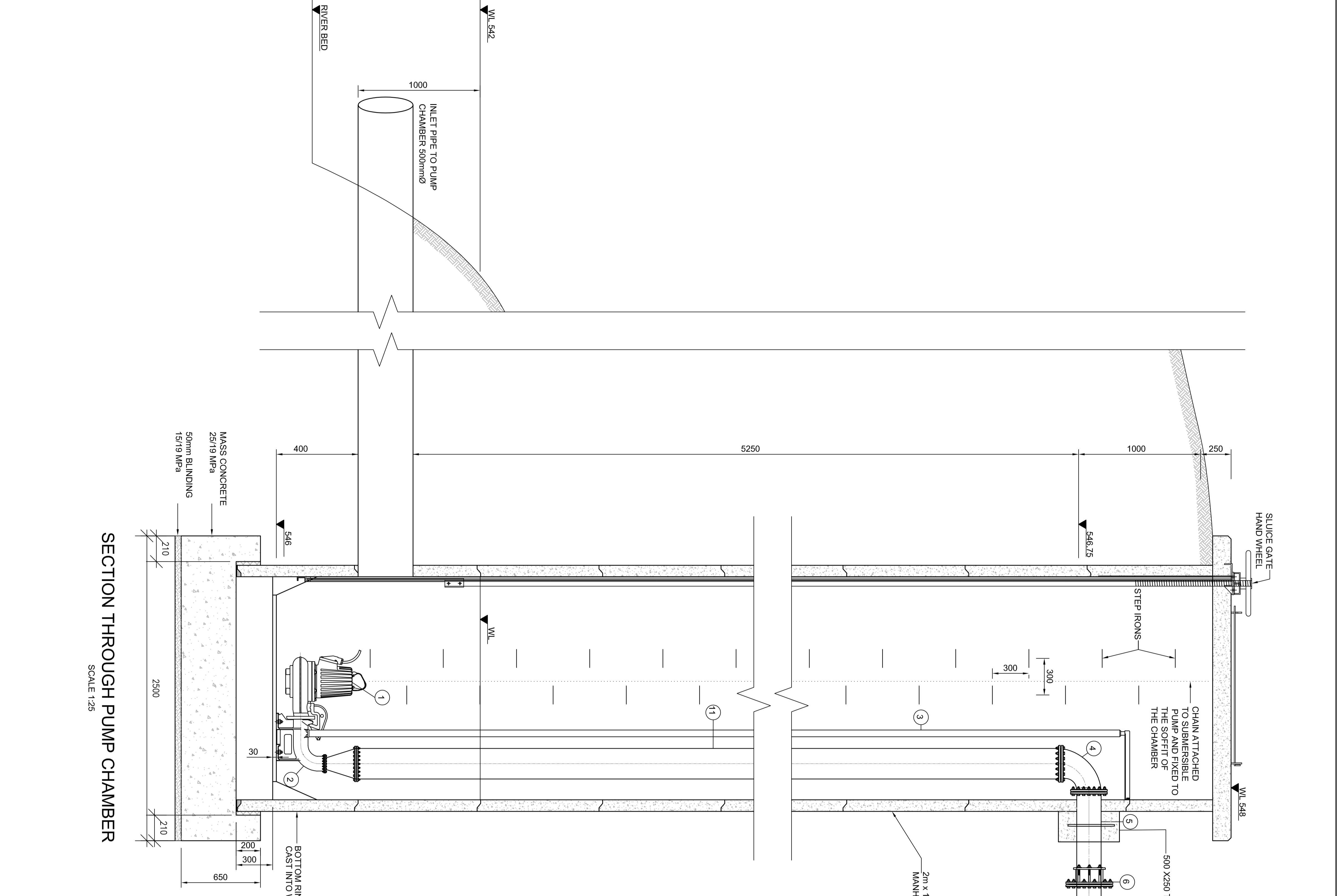
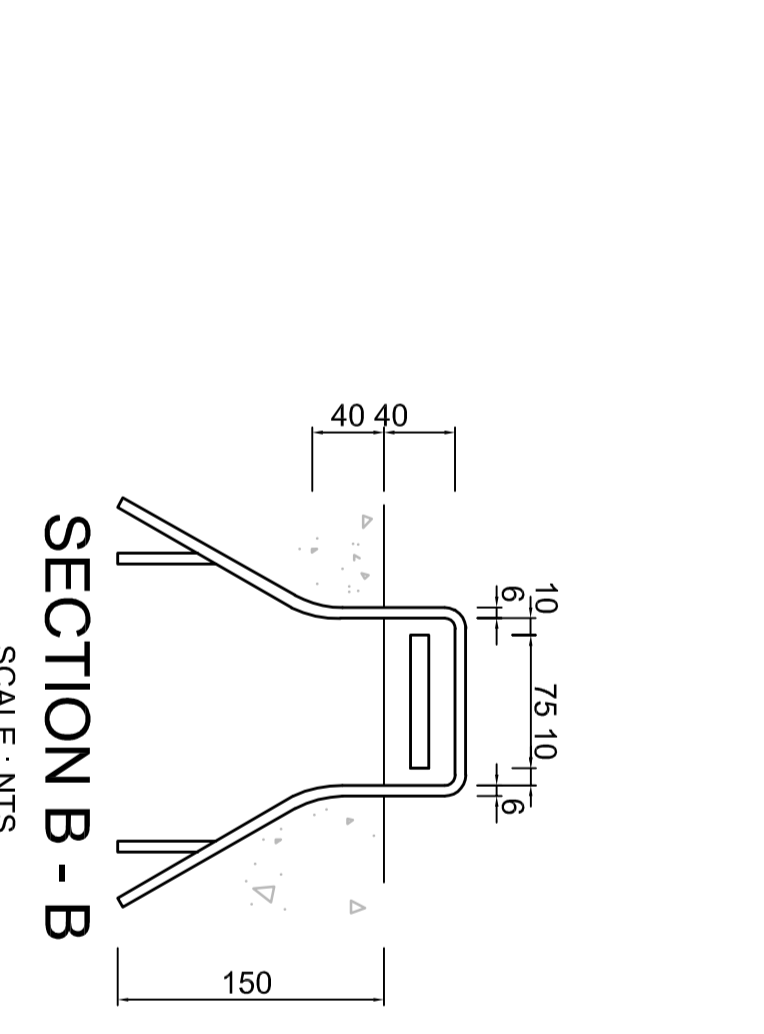
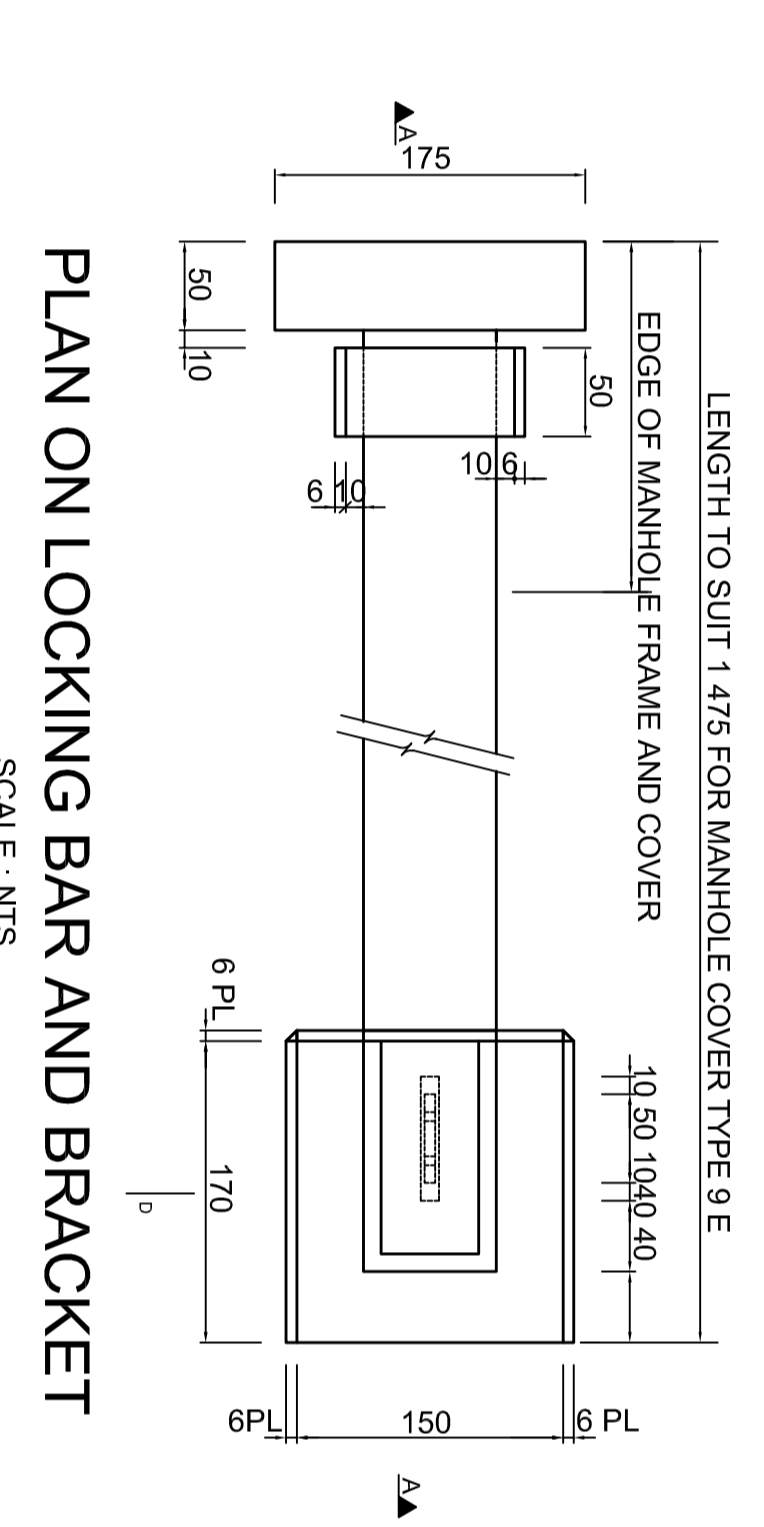
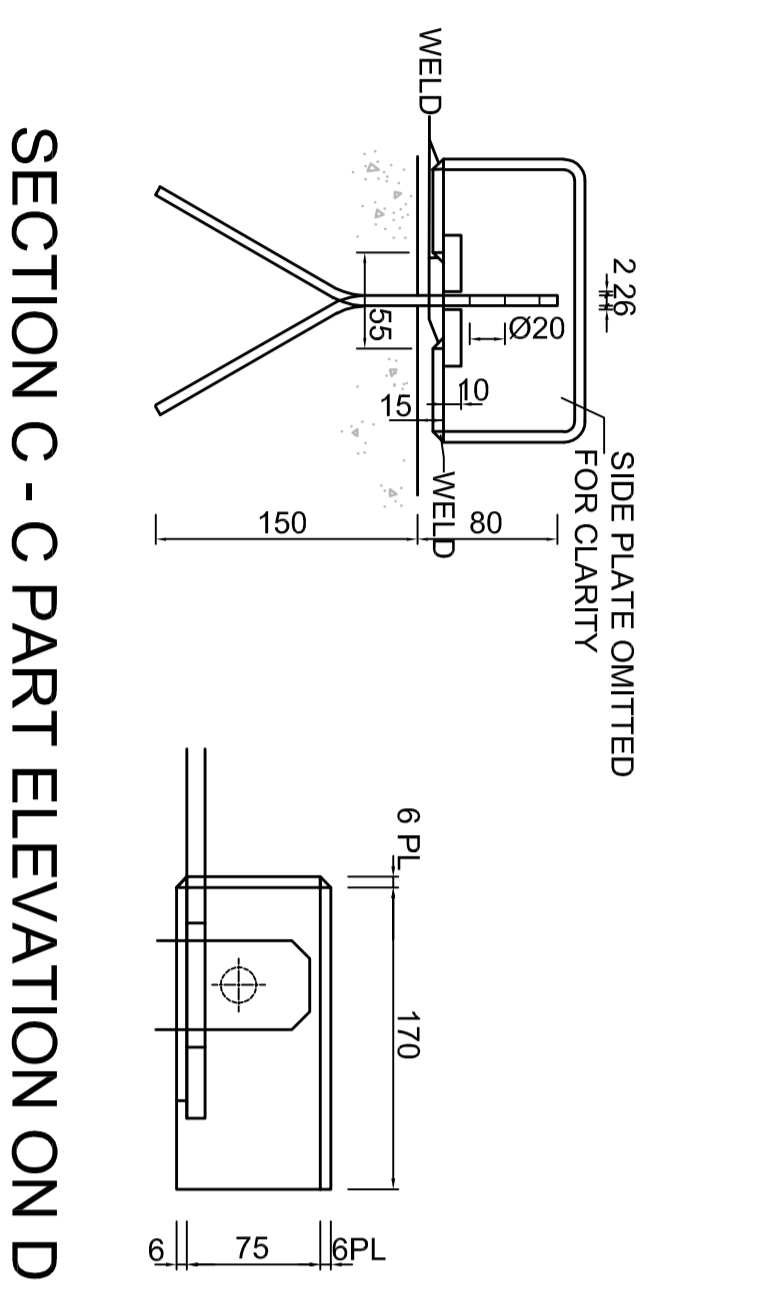
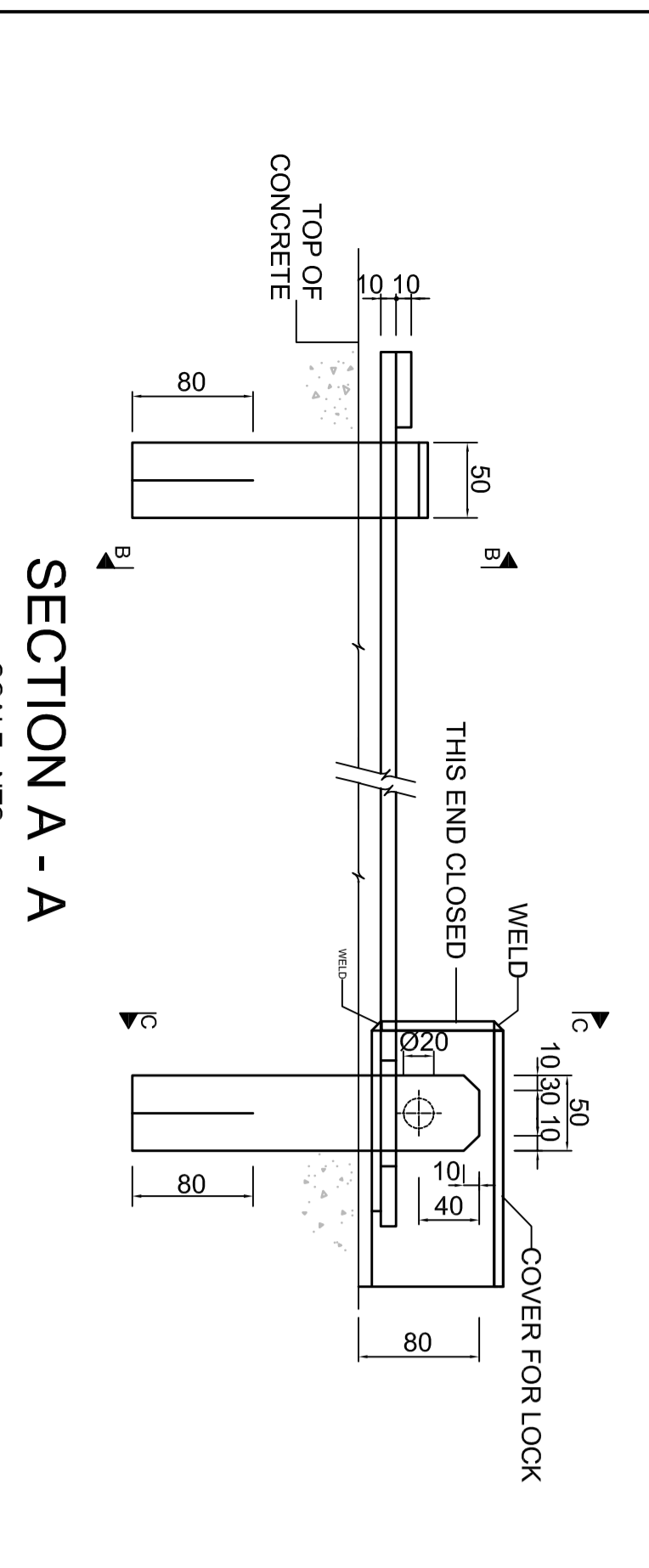
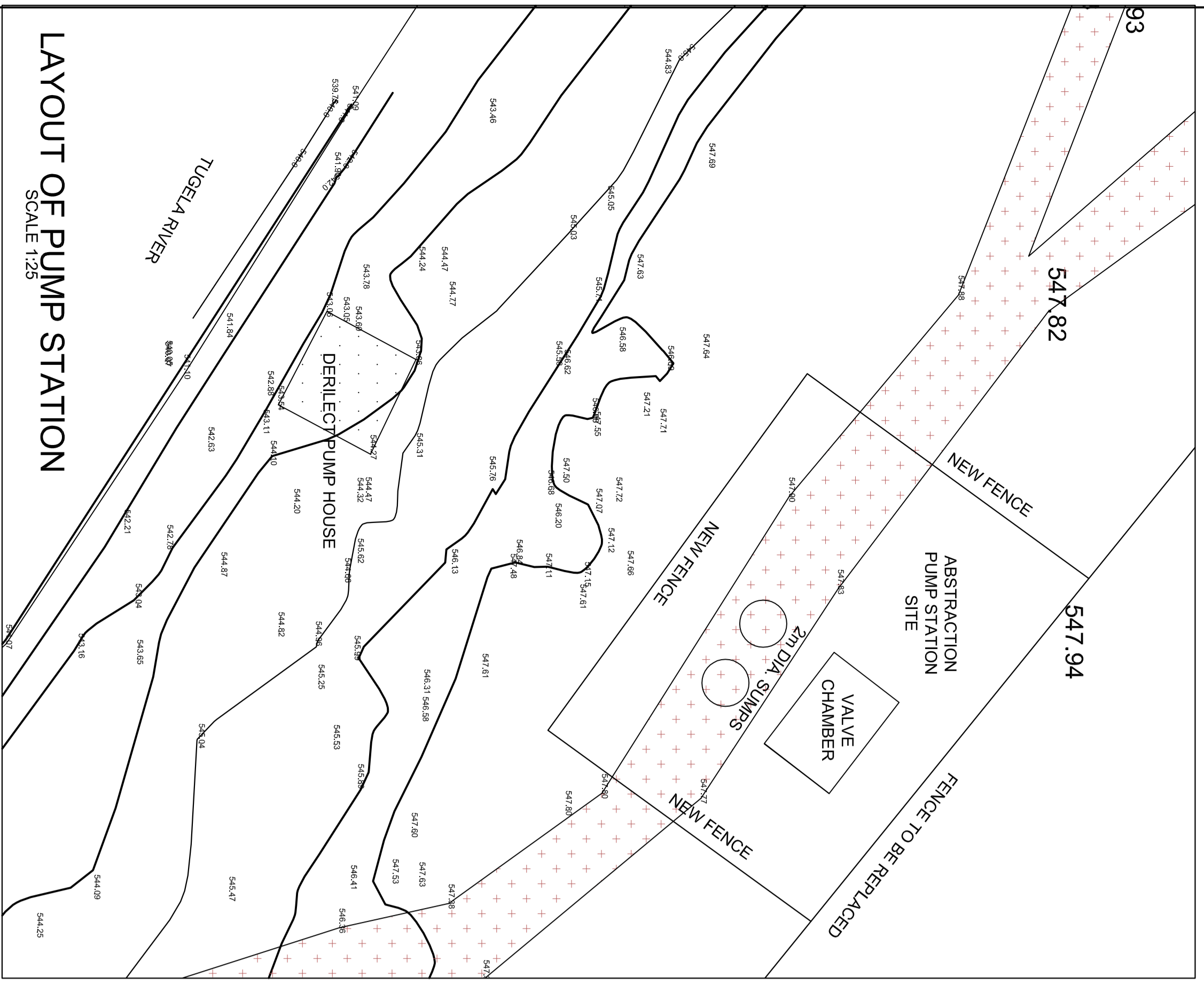


ITEM NO.	OFF DIAMETER (mm)	DESCRIPTION
1	4	4 PUMPS IN PARALLEL WITH COMBINED DUTY Q=220 l/s and H=15m WITH GUIDE BALLS AND GALVANISED LIFTING CHAINS.
2	4	100 DISCHARGE CONNECTION AND FOOT PIECE TO BE PERMANENTLY BOLTED TO PUMP FLOOR AND DISCHARGE PIPES.
3	4	90 DOUBLE GUIDE BARS - GALVANISED
4	8	80 STEEL SHORT RADIUS BEND FLANGED ON BOTH ENDS. FEET
5	4	250 STEEL FLANGE PIPE 1000mm LONG WITH PUDDLE FLANGE 450mm FROM FLANGED END. FLANGED ONE END ONLY.
6	8	250 V.I. FLANGE ADAPTOR
7	4	250 FLANGED NON-RETURN VALVE.
8	4	250 FLANGED RSV WITH HAND WHEEL.
9	4	250 PUDDLE PIPE 1000mm LONG WITH PUDDLE FLANGE CENTRALLY LOCATED FBE
10	4	250 x 900 Ø FLANGED REDUCER
11	4	250 FLANGED STEEL PIPE 10000mm LONG.
12	4	250 FLANGED STEEL PIPE CUT TO SUIT ON SITE.
13	4	250 FLANGED STEEL PIPE EQUAL TEE
14	1	500 FLEXIBLE FLANGE ADAPTER STEEL TO HDPE



PROJECT

rural development & land reform

Department: Rural Development and Land Reform
REPUBLIC OF SOUTH AFRICA

CLIENT

Engineering Procurement Management

ES&P

ENGINEER/DESIGNER

JAS SHOHAN

DATE

14 January 2019

PROJECT

TUGELA FERRY IRRIGATION SCHEME

DATE

14 January 2019

ENGINEER/DESIGNER

JAS SHOHAN

DATE

14 January 2019

PROJECT

BLOCK 6 RISER MAIN PUMP STATION SECTIONS AND DETAILS

DATE

14 January 2019

ENGINEER/DESIGNER

JAS SHOHAN

DATE

14 January 2019

FOR INFORMATION PURPOSES