

Concrete Plinth

Proposed Mast

Concrete Container

Palisade Fencing

Site Access Gate



**vodacom**

Revision


Notes

Stamp Here:

COORDINATES:

S 24° 33' 45.5"      E 27° 33' 48.5"

HASL: 1008m



VODACOM Site Name:

**BOSCHFONTEIN**

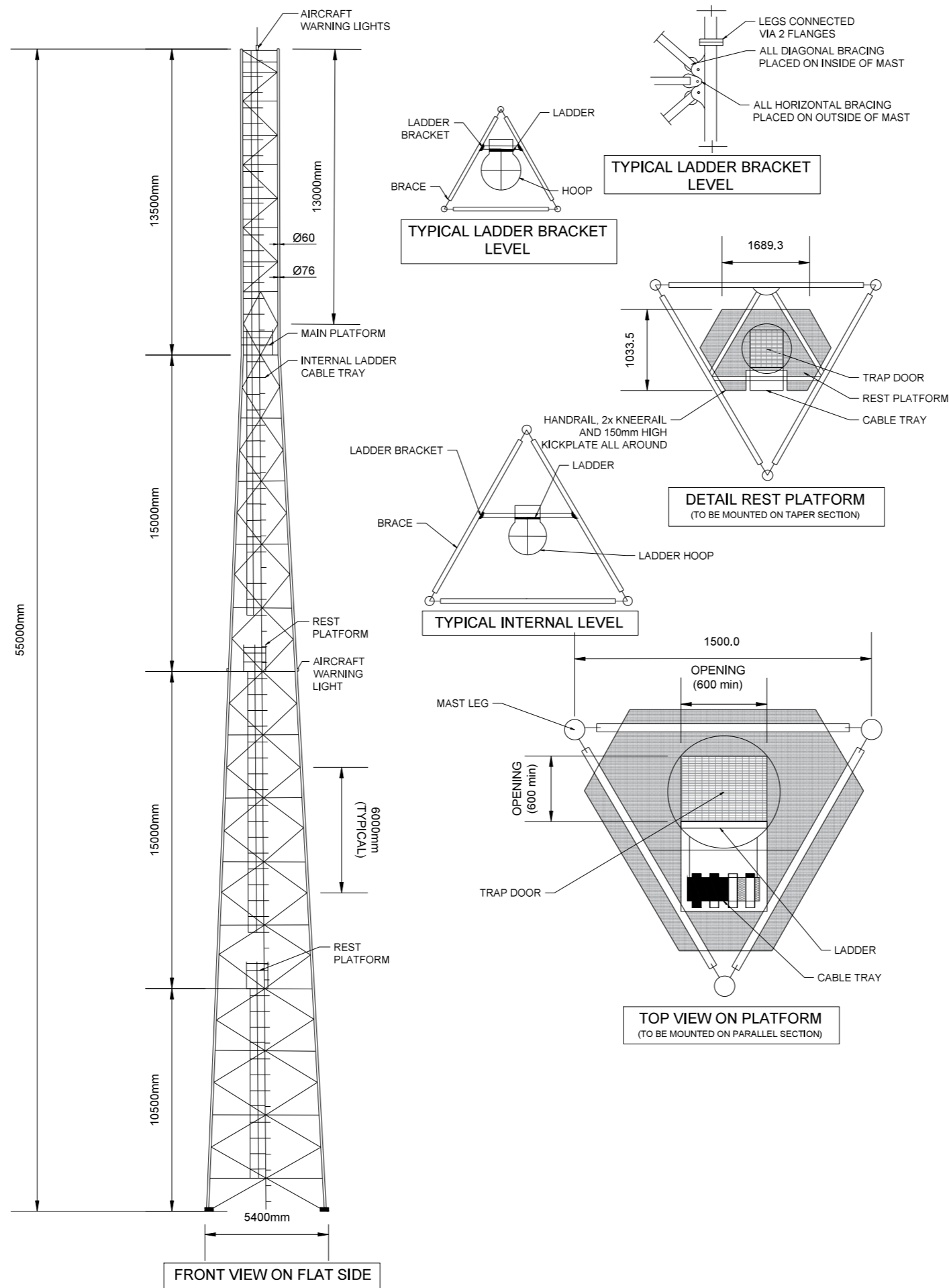
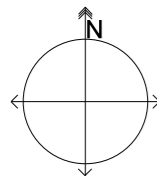
PROPERTY DESCRIPTION:

PORTION 22 OF THE FARM  
BOSCHFONTEIN 445 - KQ  
THABAZIMBI MUNICIPALITY  
LIMPOPO

**INTERNAL SITE LAYOUT**

Drawn By:	TEK
Checked By:	
Date Drawn:	2017/06
SCR Job No:	

5/12    Scale: NTS    BS: 26204



**vodacom**

Revision


Notes


Stamp Here:

COORDINATES:	
S 24° 33' 45.5"	E 27° 33' 48.5"
HASL: 1008m	

**DEVELOPLAN**  
 PIETERSBURG  
 INCORPORATED  
 Reg. No. 901886071

P.O. Box 1881  
 Pietermaritzburg, 6100  
 Tel: 011 - 291 4178 / 7  
 Fax: 011 218 3307

Town planners & Environmental consultants  
[tecoplan@mweb.co.za](mailto:tecoplan@mweb.co.za)

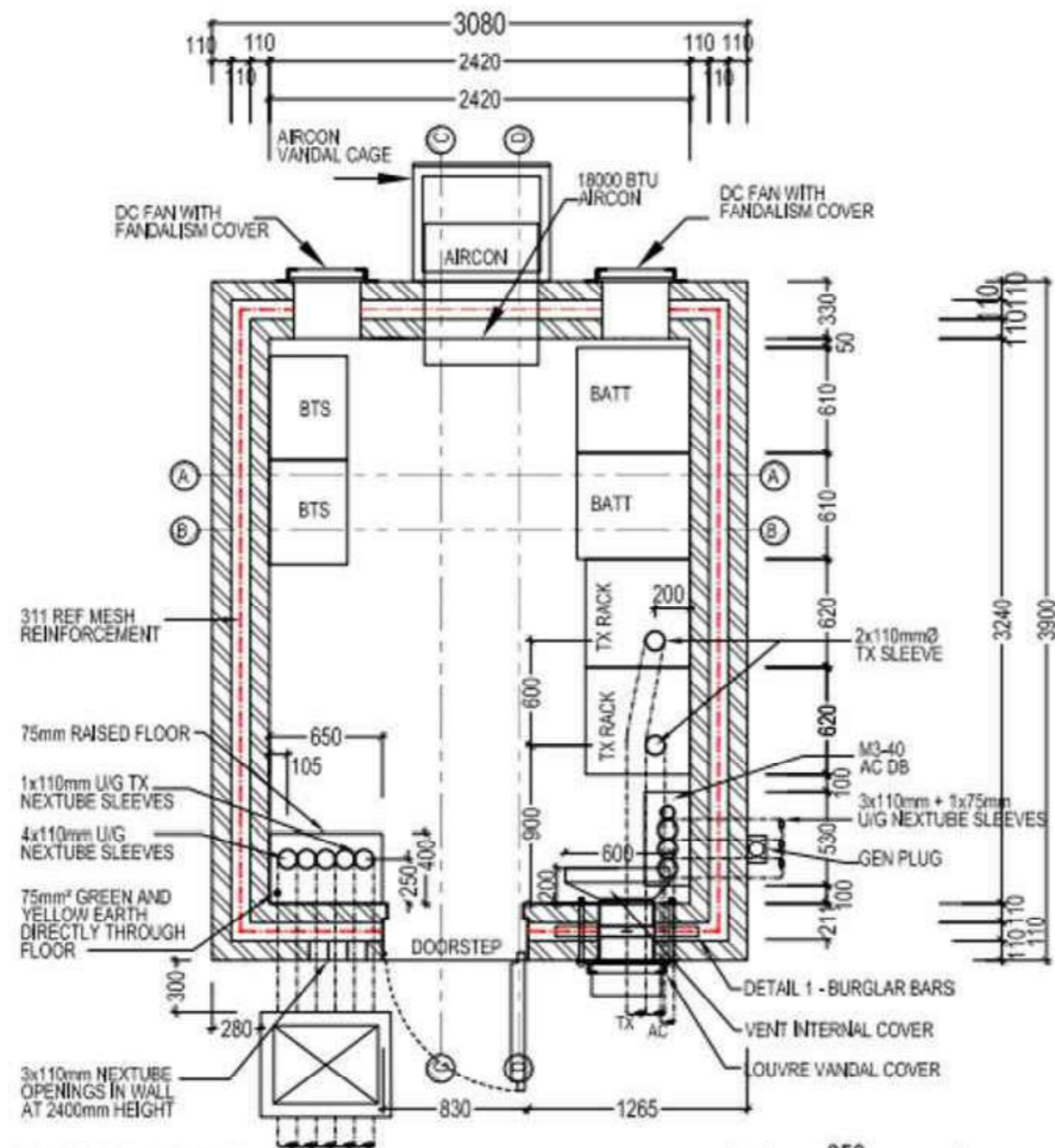
VODACOM Site Name:  
**BOSCHFONTEIN**

PROPERTY DESCRIPTION:  
 PORTION 22 OF THE FARM  
 BOSCHFONTEIN 445 - KQ  
 THABAZIMBI MUNICIPALITY  
 LIMPOPO

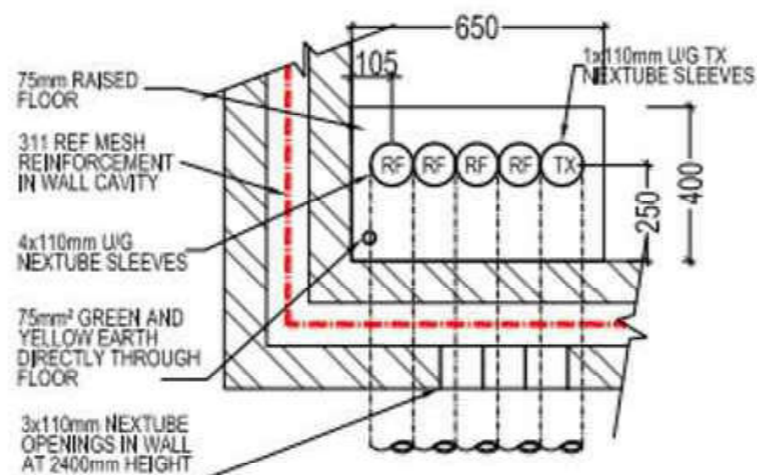
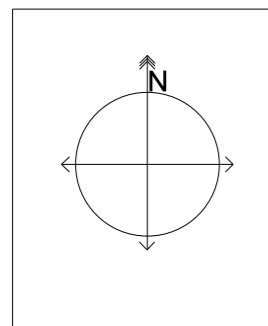
**ELEVATION**

Drawn By:	TEK
Checked By:	
Date Drawn:	2017/06
SCR Job No:	

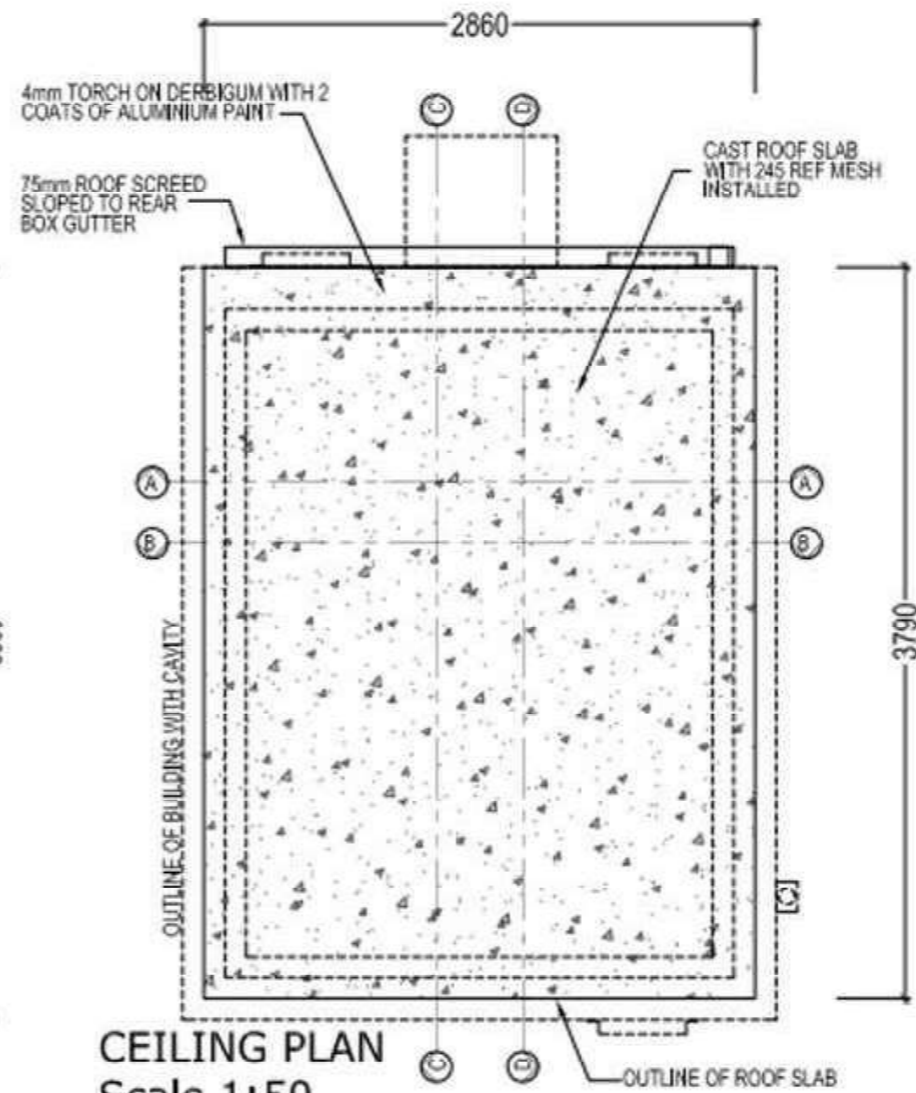
6/12	Scale: NTS	BS: 26204
------	------------	-----------



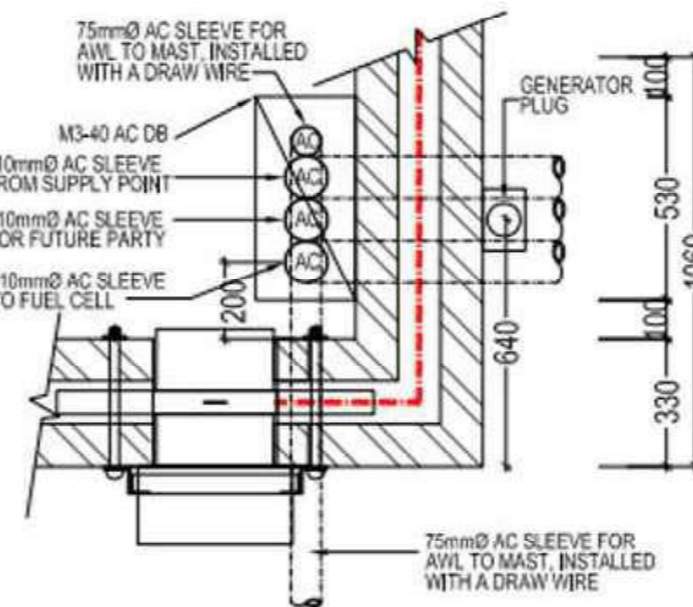
**FLOOR PLAN**  
Scale 1:50



**SLEEVE DETAIL**  
Scale 1:25



**CEILING PLAN**  
Scale 1:50



**vodacom**

Revision

Notes

Stamp Here:

COORDINATES:

S 24° 33' 45.5"

E 27° 33' 48.5"

HASL: 1008m



VODACOM Site Name:

**BOSCHFONTEIN**

PROPERTY DESCRIPTION:

PORTION 22 OF THE FARM  
BOSCHFONTEIN 445 - KQ  
THABAZIMBI MUNICIPALITY  
LIMPOPO

**CONTAINER DETAIL**

Drawn By: TEK

Checked By:

Date Drawn: 2017/06

SCR Job No:

7/12 Scale: NTS BS: 26204





**vodacom**

Revision


Notes

Stamp Here:

COORDINATES:

S 24° 33' 45.5"    E 27° 33' 48.5"

HASL: 1008m

**DEVELOPLAN**  
 PIETERSBURG  
 INCORPORATED  
 Reg. No. 902880011

P.O. Box 1881  
 Pietermaritzburg, 6000  
 Tel: 031 - 201 4178 / 7  
 Fax: 031 218 3307

Town planners & Environmental consultants  
[tecoplan@mweb.co.za](mailto:tecoplan@mweb.co.za)

VODACOM Site Name:

**BOSCHFONTEIN**

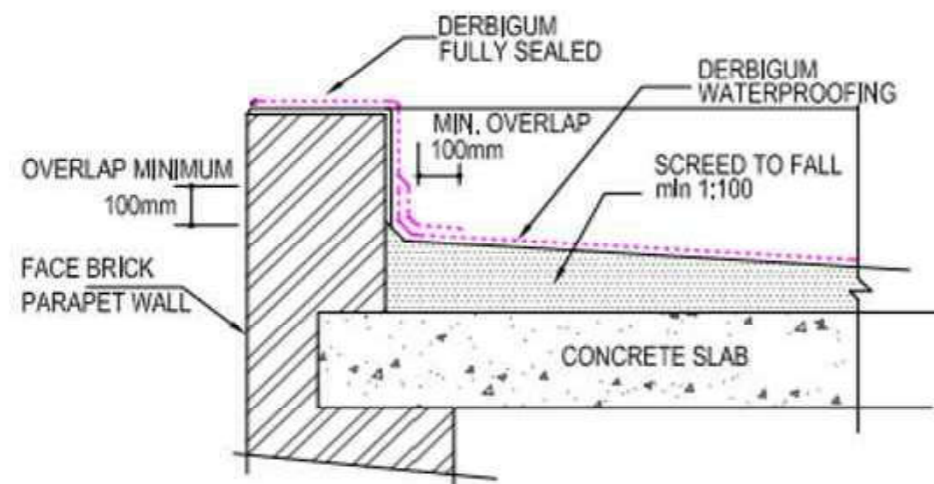
PROPERTY DESCRIPTION:

PORTION 22 OF THE FARM  
 BOSCHFONTEIN 445 - KQ  
 THABAZIMBI MUNICIPALITY  
 LIMPOPO

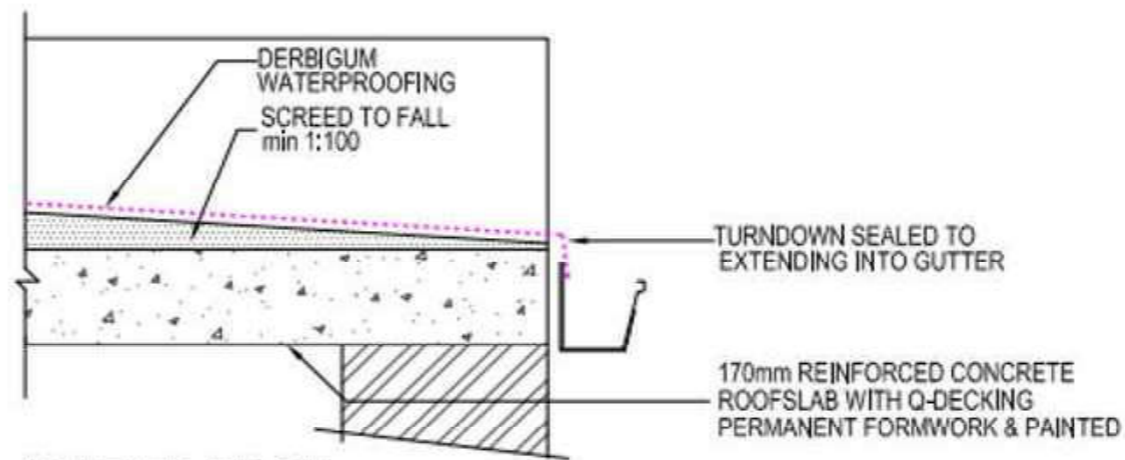
**CONTAINER DETAIL**

Drawn By:	TEK
Checked By:	
Date Drawn:	2017/06
SCR Job No:	

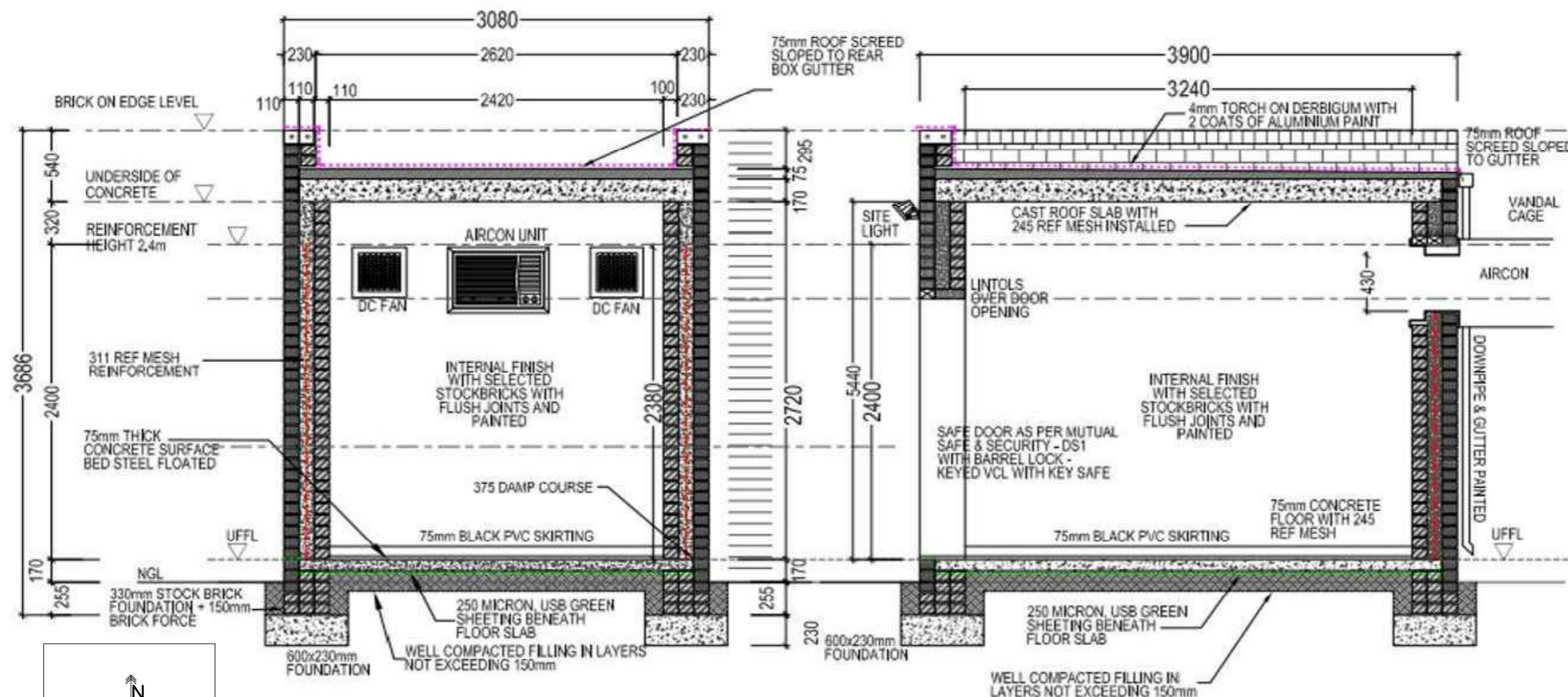
8/12    Scale: NTS    BS: 26204



**LOW PARAPET DETAIL**

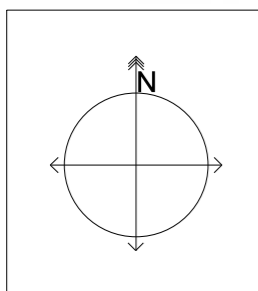


**GUTTER EDGE**



**SECTION A-A - Scale 1:50**

**SECTION C-C - Scale 1:50**







vodacom

Revision


Notes

Stamp Here:

COORDINATES:

S 24° 33' 45.5" E 27° 33' 48.5"

HASL: 1008m

**DEVELOPLAN**  
PIETERSBURG  
INCORPORATED  
Reg. No. 90288001

P.O. Box 1881  
Pietermaritzburg, 6000  
Tel: 031 - 201 4178 / 7  
Fax: 031 218 3307

Town planners & Environmental consultants  
tecoplan@web.co.za

VODACOM Site Name:

**BOSCHFONTEIN**

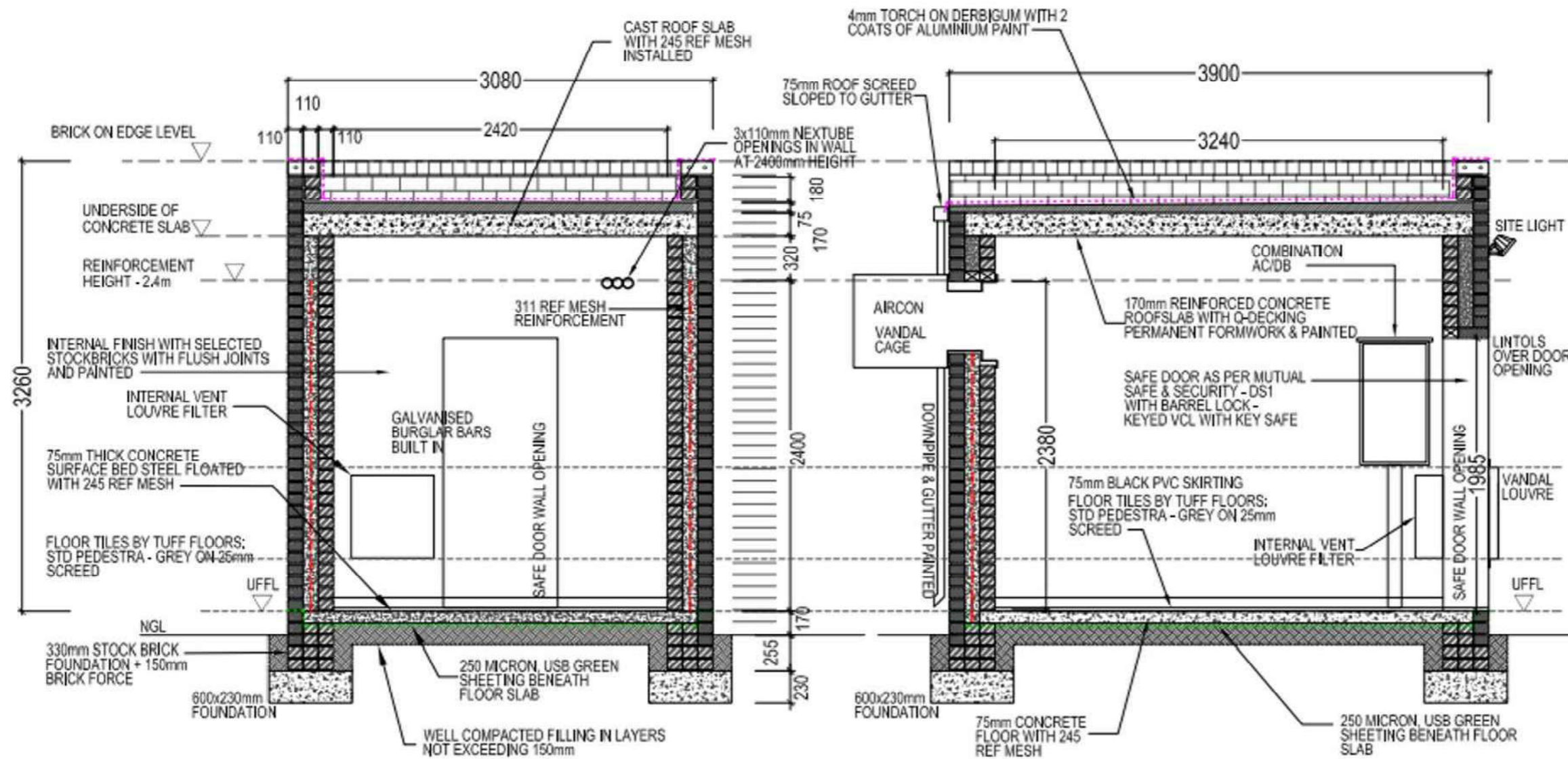
PROPERTY DESCRIPTION:

PORTION 22 OF THE FARM  
BOSCHFONTEIN 445 - KQ  
LEPHALALE MUNICIPALITY  
LIMPOPO

**CONTAINER DETAIL**

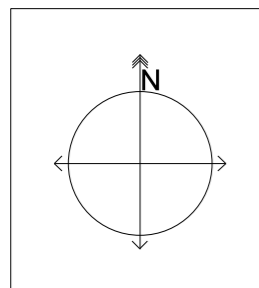
Drawn By:	TEK
Checked By:	
Date Drawn:	2017/06
SCR Job No:	

9/12 Scale: NTS BS: 26204

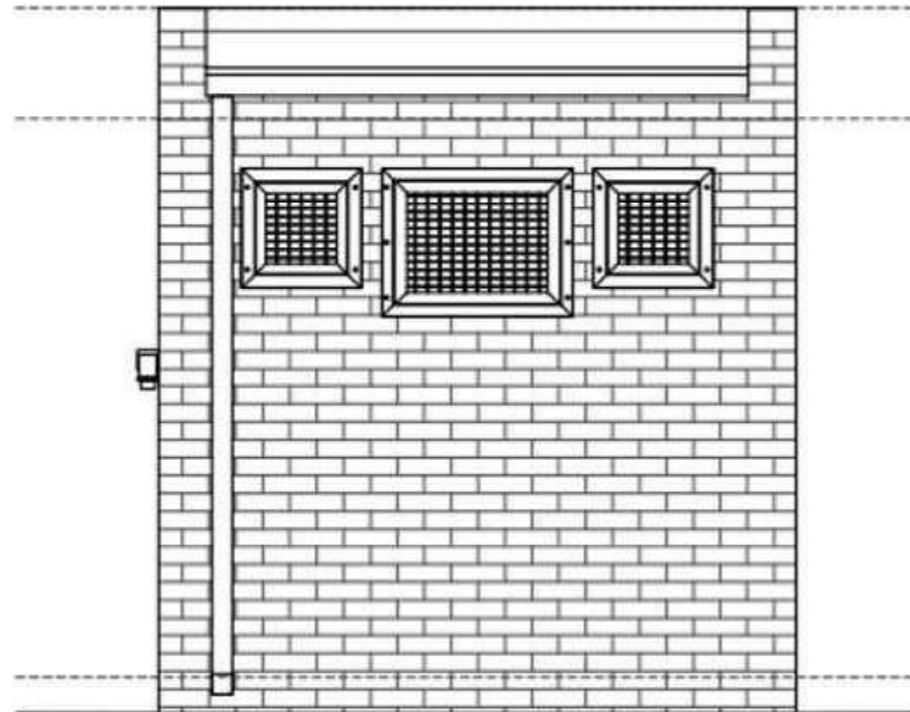
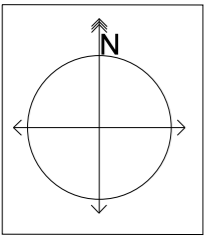


SECTION B-B - Scale 1:50

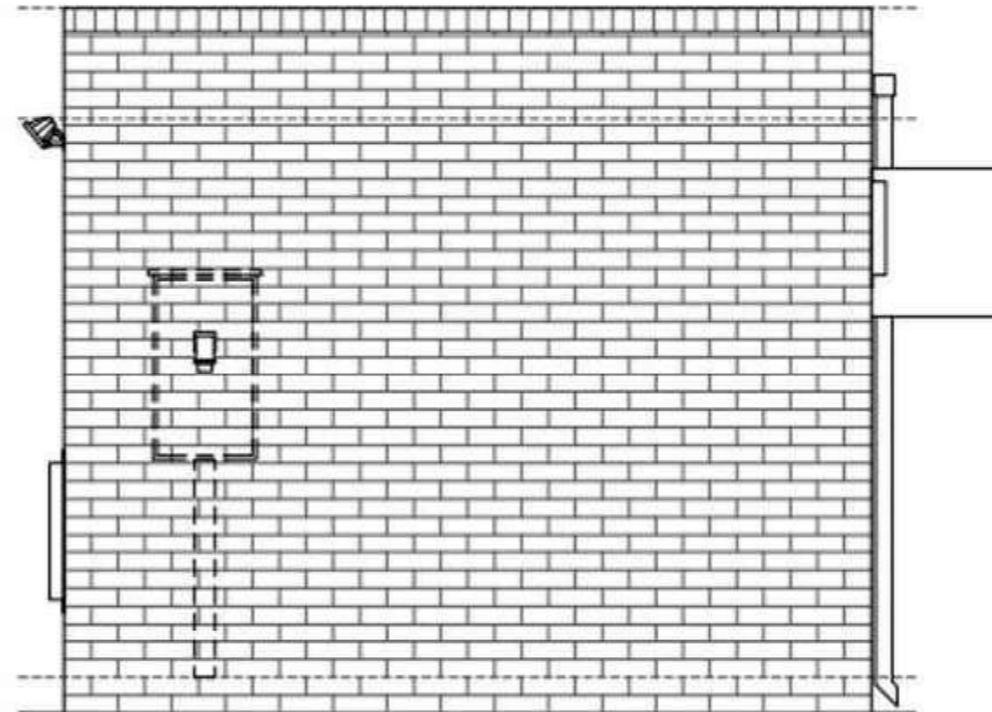
SECTION D-D - Scale 1:50



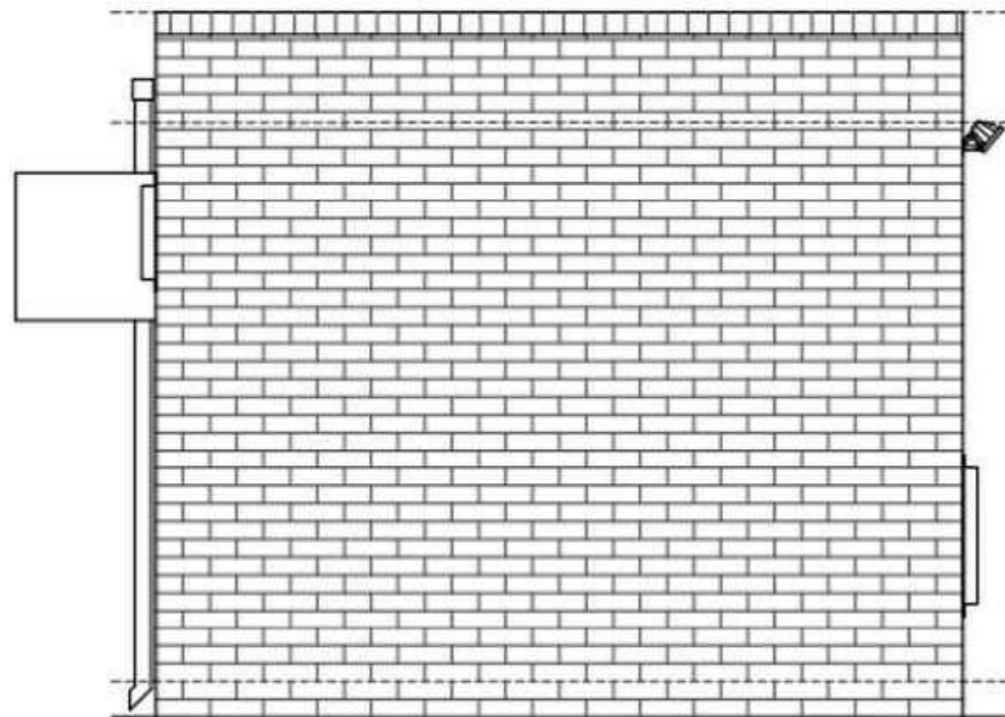




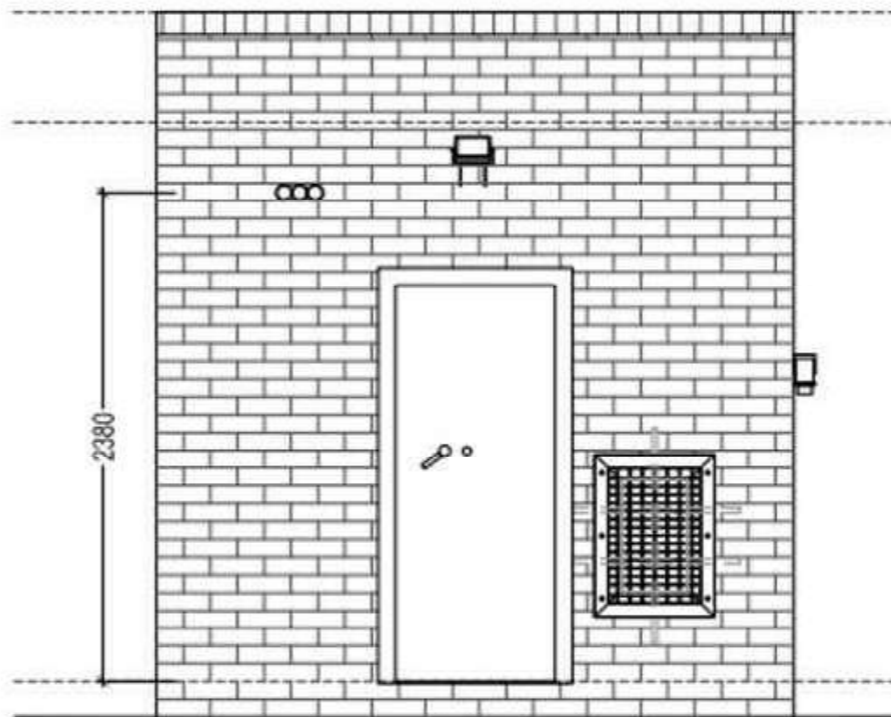
REAR ELEVATION  
SCALE 1:50



RIGHT SIDE ELEVATION  
SCALE 1:50



LEFT SIDE ELEVATION  
SCALE 1:50



FRONT ELEVATION  
SCALE 1:50



**vodacom**

Revision


Notes


Stamp Here:


COORDINATES:

S 24° 33' 45.5"      E 27° 33' 48.5"

HASL: 1008m



VODACOM Site Name:

**BOSCHFONTEIN**

PROPERTY DESCRIPTION:

PORTION 22 OF THE FARM  
BOSCHFONTEIN 445 - KQ  
THABAZIMBI MUNICIPALITY  
LIMPOPO

**CONTAINER DETAIL**

Drawn By:	TEK
Checked By:	
Date Drawn:	2017/06
SCR Job No:	

10/12	Scale: NTS	BS: 26204
-------	------------	-----------