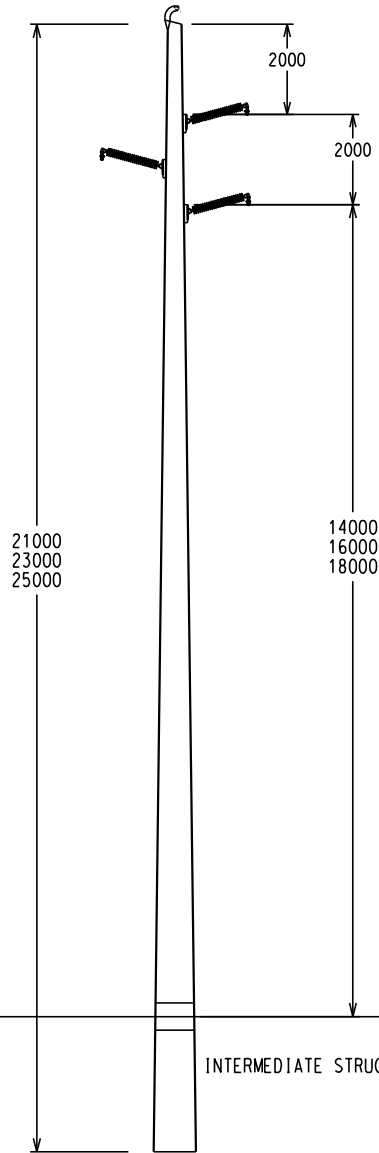
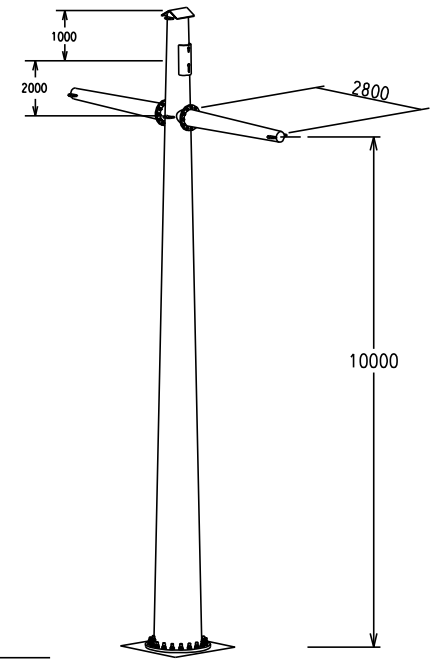


STRAIN STRUCTURE  
15°/30°/45°/60°



INTERMEDIATE STRUCTURE



CROSS STRAIN STRUCTURE

ground level

SINGLE CIRCUIT 132kV STEEL STRUCTURES (Updated August 2009)