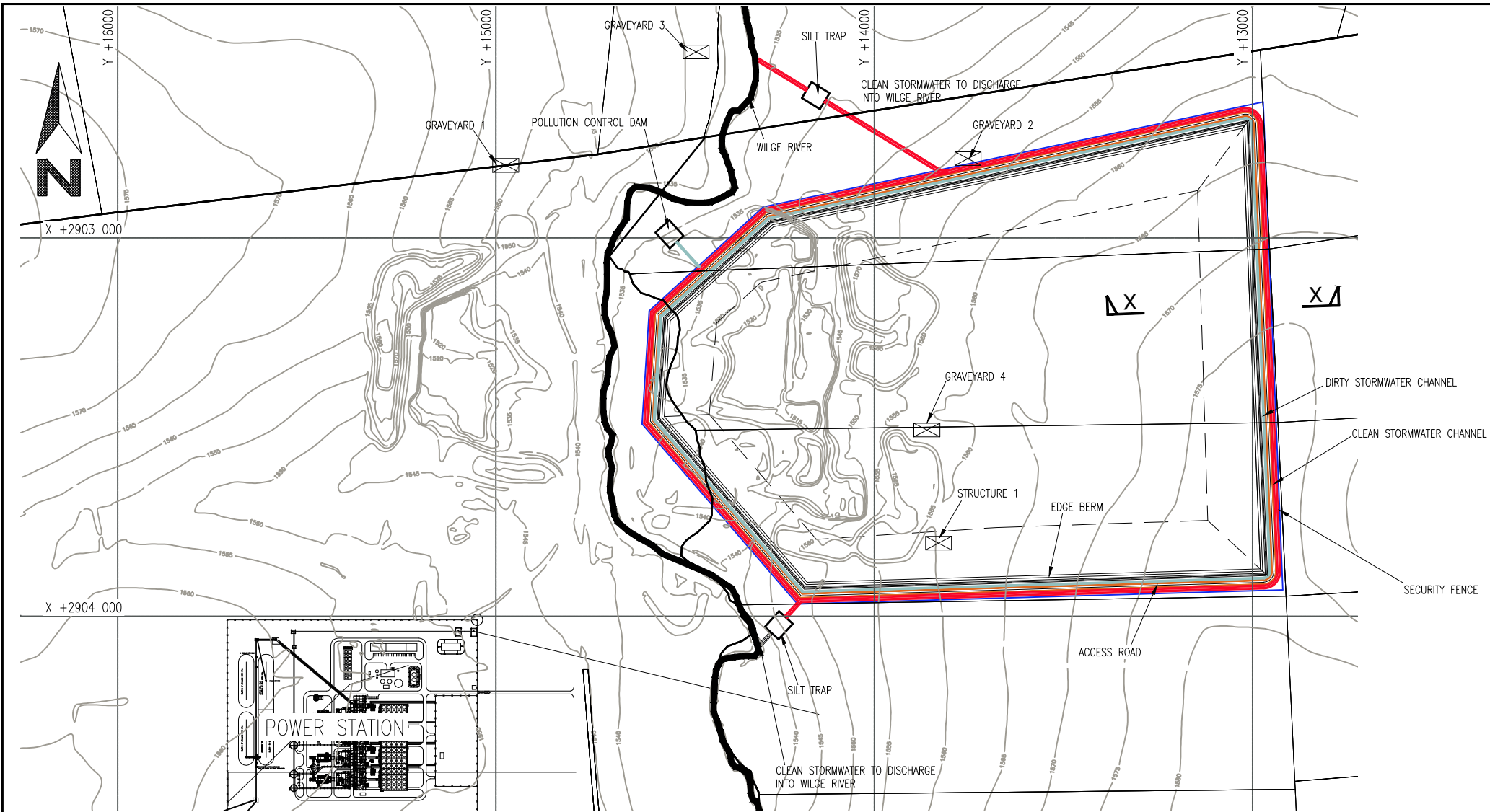
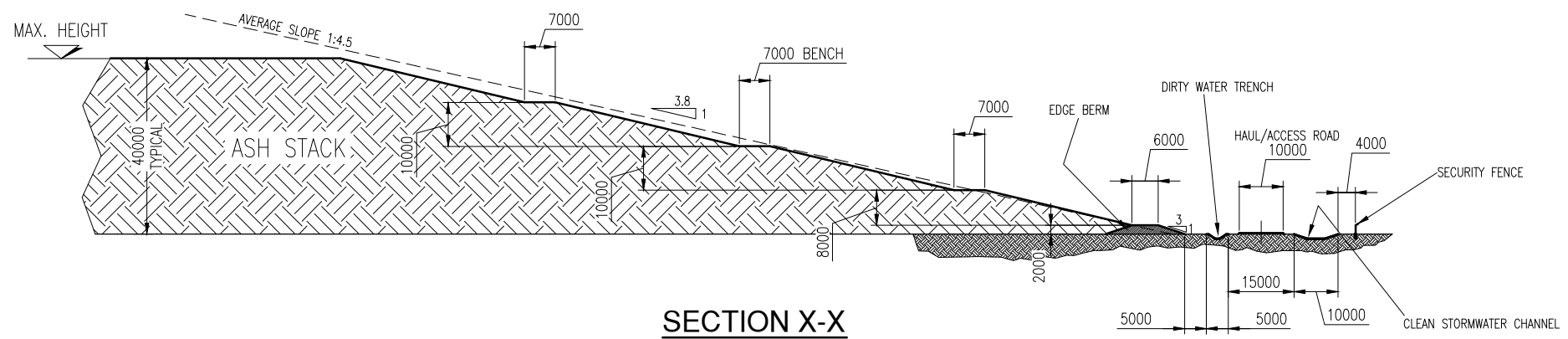


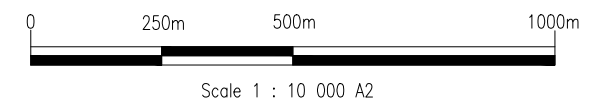
NOTE!  
SURVEY TO CLARKE 1880 L029



**GENERAL ARRANGEMENT**  
SCALE 1:10000



**SECTION X-X**  
SCALE 1:1000



 <p><b>Jones &amp; Wagener</b> Consulting Civil Engineers</p> <p>Box 1434 Rivonia 2128 South Africa Tel. (011) 519-0200 Fax. (011) 519-0201 Email post@jaws.co.za</p>	Drawn	G.F.J.	29.05.2012
	Designed	D.R.	.
	Checked	.	.
	Pr. Eng. Approval	.	.
Signature		PR.Eng No.	

Reference Drawings	Rev.	Revision	Name	Date	Approved

Client	KIPOWER	Scale	AS SHOWN	A2
Project	600MW POWER-STATION ASH STACK GENERAL ARRANGEMENT	Drawing No.	<b>C853-01-001</b>	
Revision				<b>A</b>