

All work to be done in accordance with the National Building Regulations and Building Control Act 1977 (Act No. 65 of 1977) and the National Building Regulations and Building Control Act 1977 (Act No. 65 of 1977) and the National Building Regulations and Building Control Act 1977 (Act No. 65 of 1977).

- All materials and workmanship are to comply with the relevant S.A.S. codes.

- This drawing is not to be scaled. Figure dimensions are given in millimeters unless otherwise stated.

- This drawing must be read in conjunction with all other relevant drawings and specifications.

- The contractor must obtain the necessary on-site by the contractor before putting work in.

- Any discrepancies on the drawing are to be brought to the architect's attention by the contractor.

- The contractor must obtain the architect's written confirmation of any instructions which involve a variation to the contract before putting forward proof in accordance with the Government tendering regulations.

- The contractor must obtain the architect's written confirmation of any instructions which involve a variation to the contract before putting forward proof in accordance with the Government tendering regulations.

- All voids, suspended ceilings and partitions to be in accordance with the National Building Regulations.

- Contractors and sub-contractors are to check all site dimensions and levels before commencing work.

- The design of this drawing is the copyright of the architect.

- The architect is not to be held liable for any variations.

- The contractor shall be responsible for ensuring the structural stability of all components of this work and ascertain that the main structure is capable of supporting all loads applied thereto.

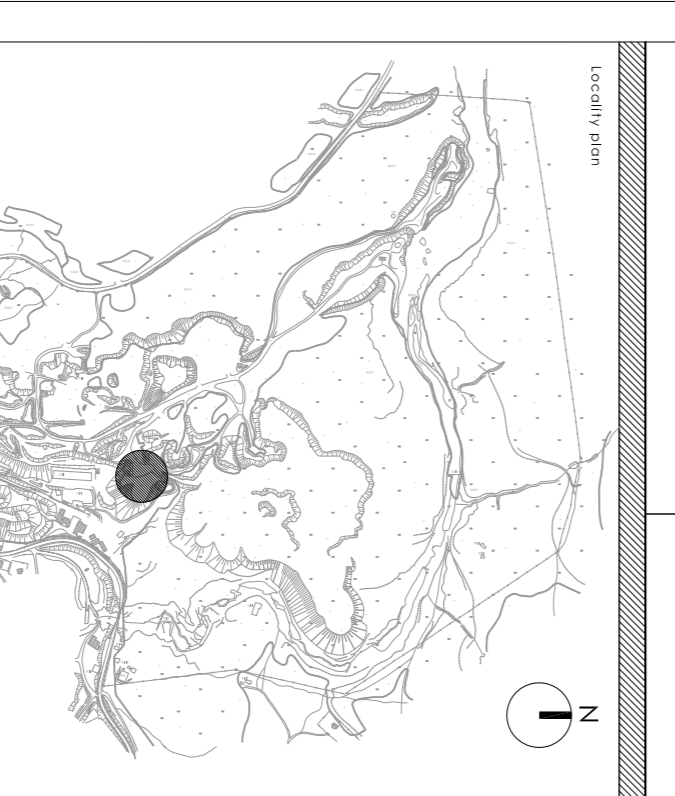
- Bidders to refer to the drawings and specifications for details of the work to be done.

| NO. | DATE       | DESCRIPTION            | BY |
|-----|------------|------------------------|----|
| A   | 2014.07.08 | ISSUED FOR INFORMATION | MS |
| B   | 2014.10.21 | ISSUED FOR INFORMATION | CS |
| C   | 2015.01.19 | ISSUED FOR INFORMATION | BM |



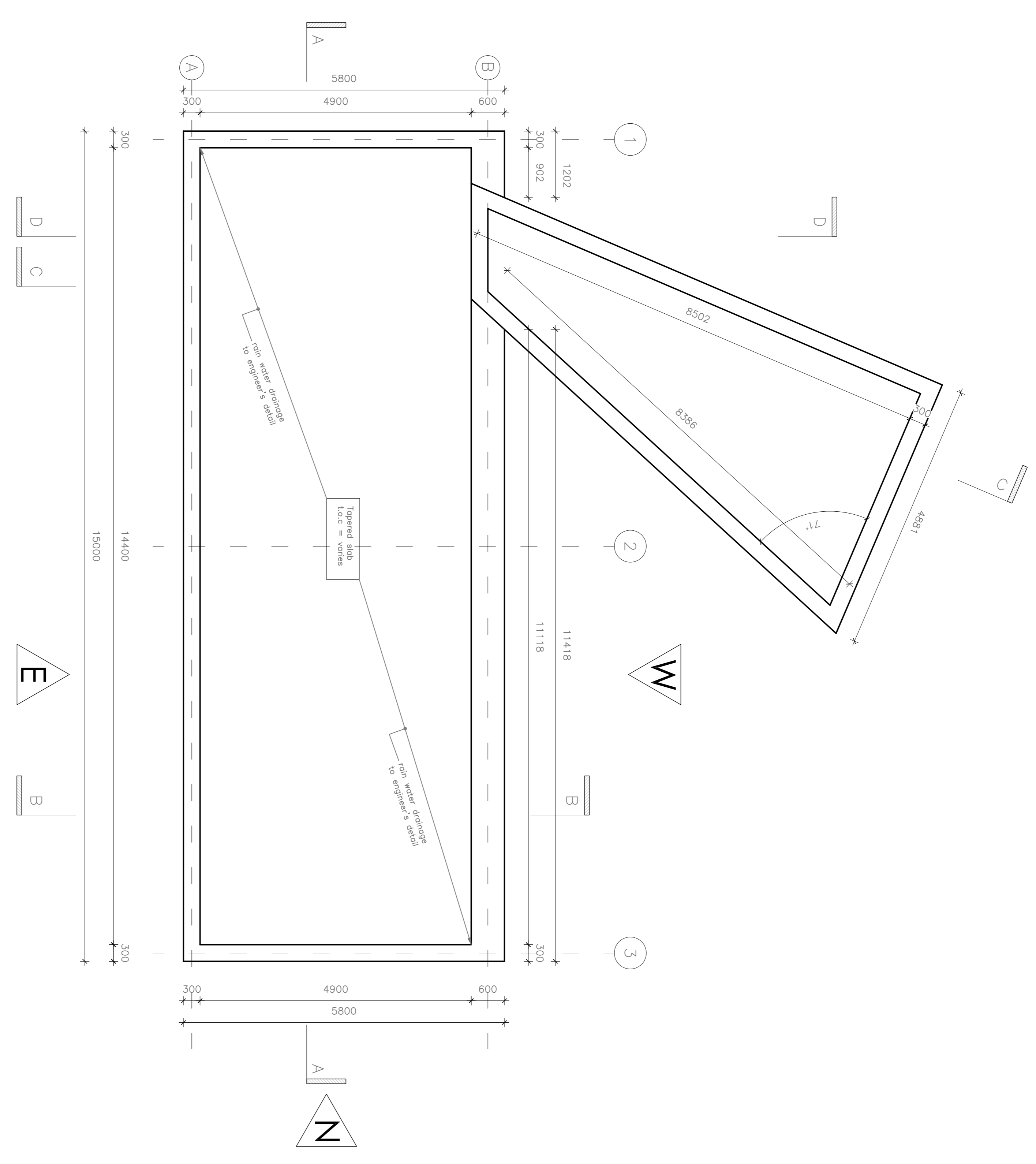
**architects - urban designers - planners**  
**MASHINANE ROSE ASSOCIATES**  
 1411 11th Ave, Suite 101, Cape Town, South Africa  
 Tel: +27 21 462 1097 Fax: +27 21 462 1097 www.mashinane.com

| NAME           | DESIGNATION         | DATE       | SIGNATURE |
|----------------|---------------------|------------|-----------|
| Paul Mashinane | Principal Architect | 2014.07.08 |           |
| Robert Dicks   | Structural Engineer | 2014.07.08 |           |
| Robert Dicks   | Structural Engineer | 2014.07.08 |           |
| Robert Dicks   | Structural Engineer | 2014.07.08 |           |

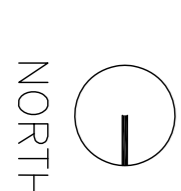


**Taung skull heritage site**  
**THE MEMORIAL SITE**  
**FOR TENDER**

|                |                      |
|----------------|----------------------|
| SCALE          | 1:50                 |
| DRAWING NUMBER | MS 2014.07.08        |
| PROJECT        | TAUNG SKULL HERITAGE |
| REVISION NO.   | C                    |



**Roof Plan**  
 SCALE 1:50



NORTH