

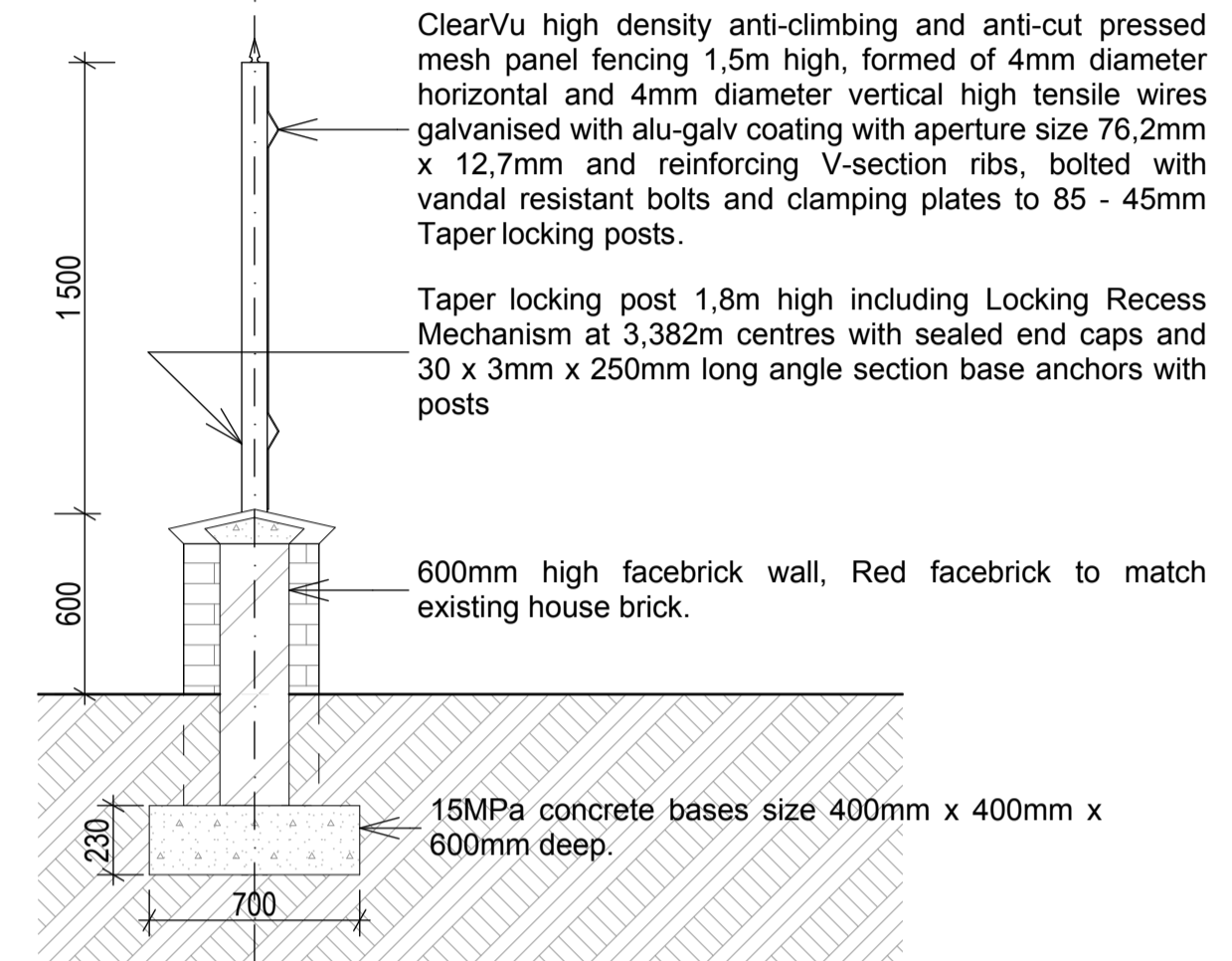


SITE PLAN - ORIGINAL J.L. DUBE FAMILY HOME

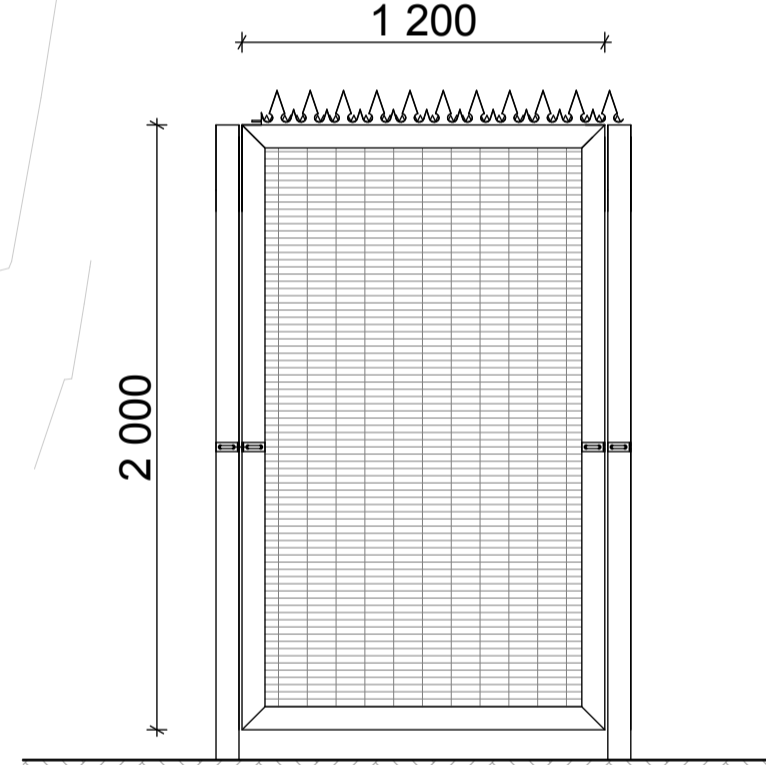
LEGEND	
	Original J.L. Dube Family home
	Existing Rondavel
	Proposed "Advocacy School"
	Existing structure on site.
	Parking
	Boundary line as per municipality.
	Cadastrals as supplied by Municipality.
	Cadastrals as supplied by Land Surveyor.

GATE SPECIFICATION	
ITEM	DESCRIPTION
GATE POST	76x76x3mm SQUARE TUBE
GATE FRAME	76x76x3mm SQUARE TUBE
GATE PORTAL	76x76x3mm SQUARE TUBE
LOCKING DEVICE	30mm x 5mm FLAT BAR WITH Ø14mm HOLE TO ACCOMMODATE PAD LOCK.
GATE GUIDE	50x5mm FLAT BAR
GATE WHEEL	Ø20mm GATE WHEEL
GATE RAIL	Ø16mm ROUND BAR, FIXED TO 100x50mm CHANNEL, WITH FISH TAILS.
BASE PIN	50x50x5mm ANGLE IRON
TOPPING	COCHRANE CASTLE SPIKE: 2mm THICK TOUCHED STEEL, 100mm HIGH COATING: HOT DIP GALVANIZED.

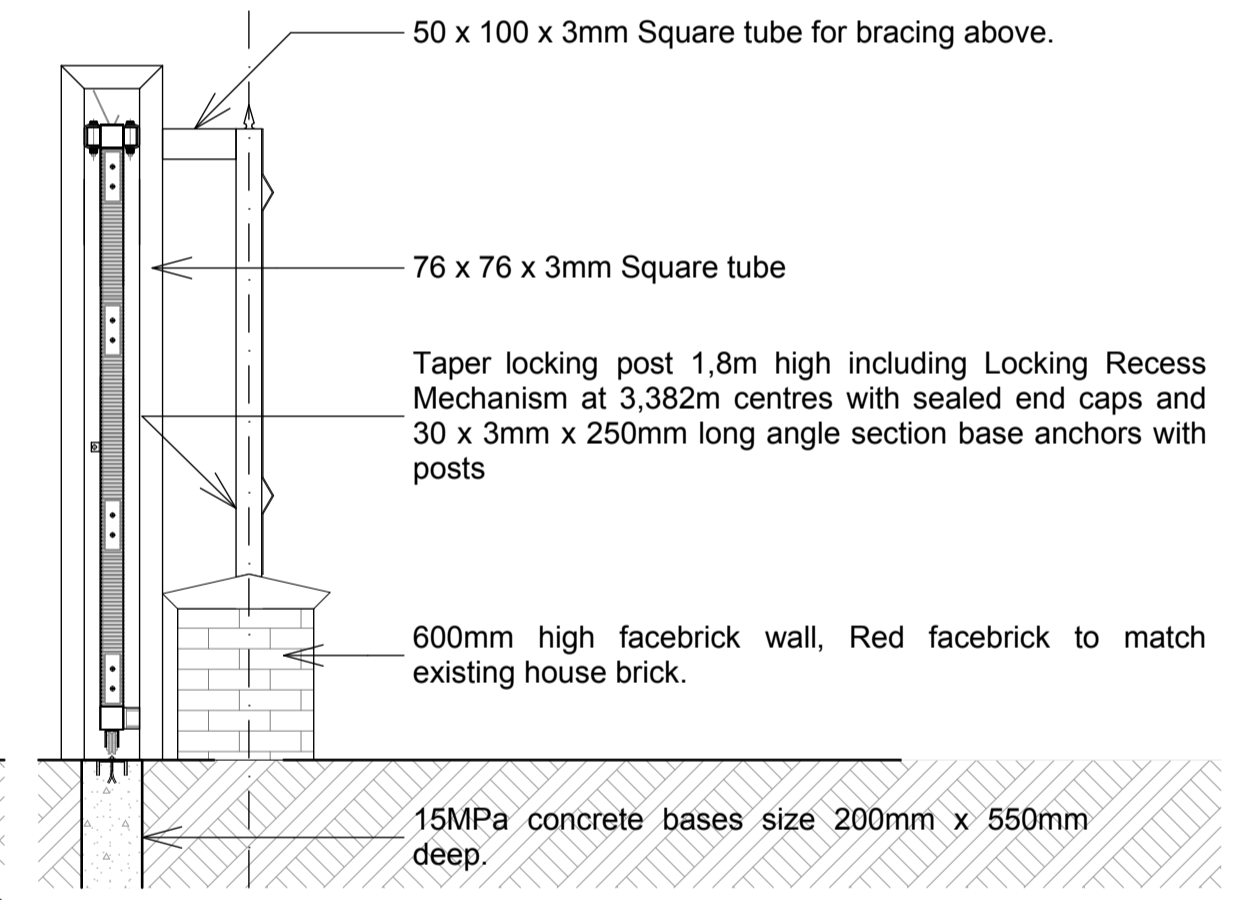
REVISIONS		
No.	Date	Description
1	18/09/2012	Sports pavilion repositioned.
2	05/11/2012	Proposed building omitted.
3	14/02/2013	Existing vehicular access on site shown and Gate details shown. Parking omitted.



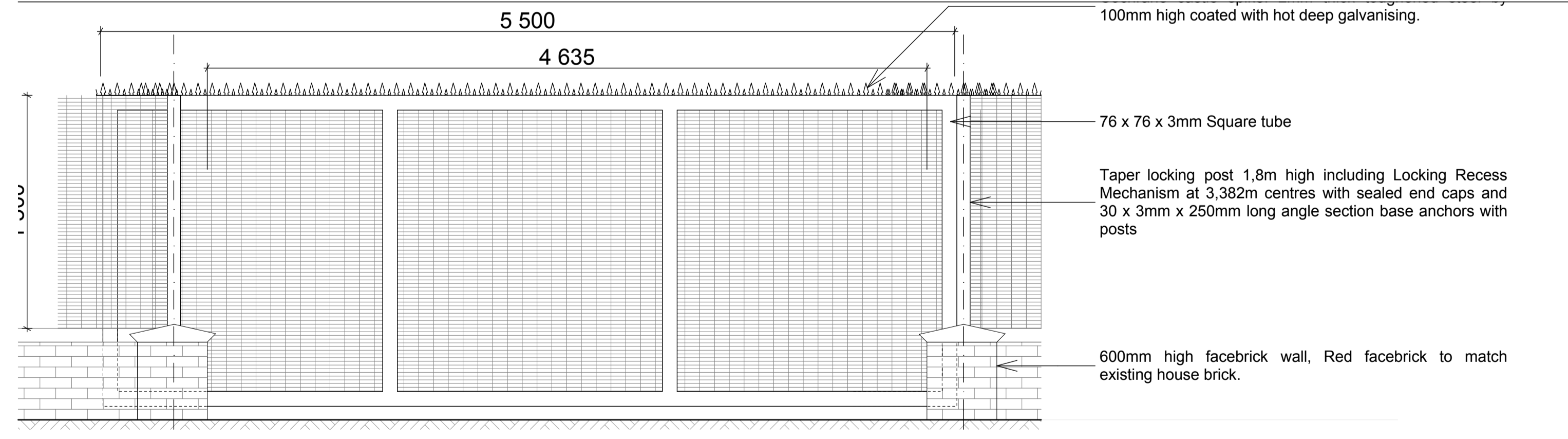
D-01 FENCE DETAIL - SECTION 1:25



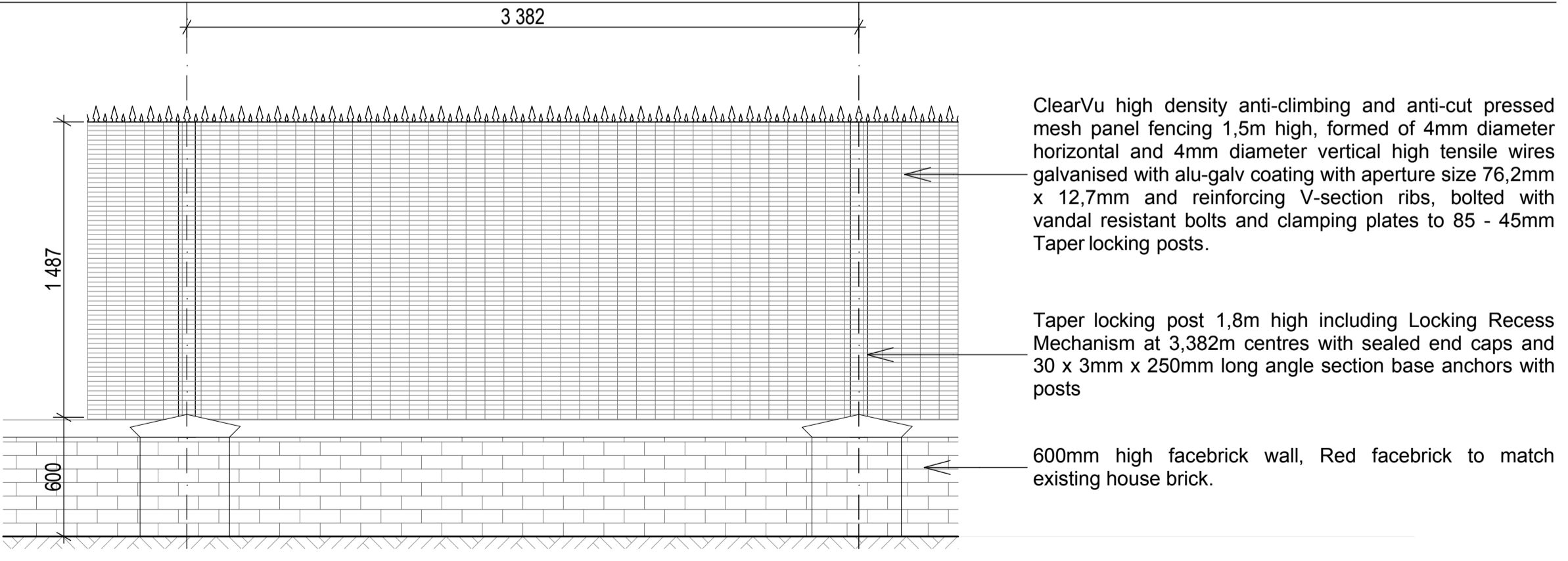
G-02 PEDESTRIAN GATE - ELEVATION 1:25



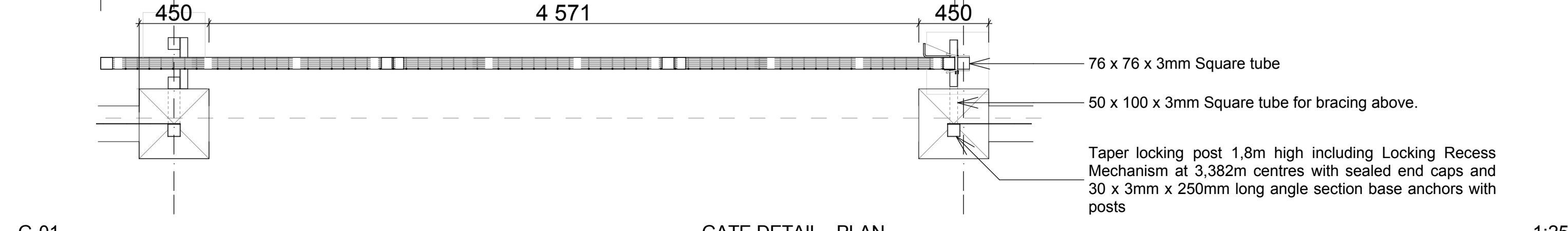
G-01 GATE DETAIL - SECTION 1:25



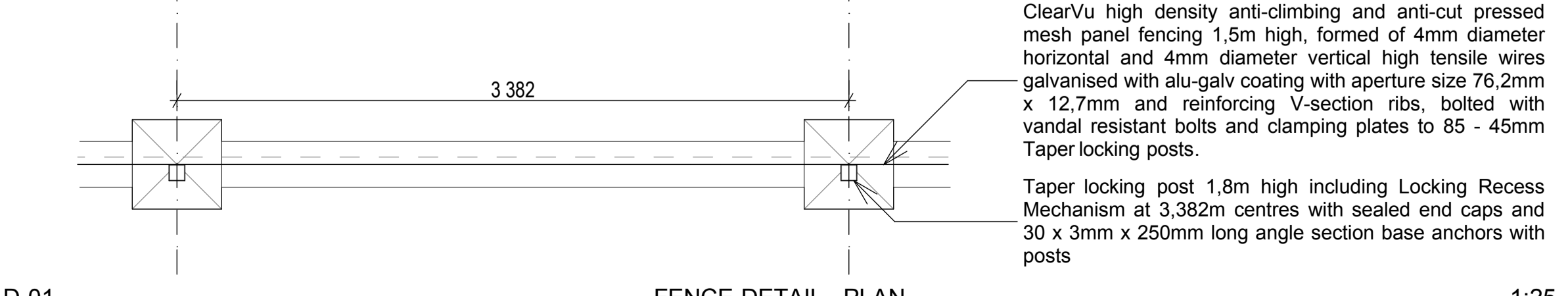
G-01 GATE DETAIL - ELEVATION 1:25



D-01 FENCE DETAIL - ELEVATION 1:25



G-01 GATE DETAIL - PLAN 1:25



D-01 FENCE DETAIL - PLAN 1:25

Architect :
SACAP REG NO :
Client :

IDC Architects
East London • Port Elizabeth • Cape Town

IDC House
15 Belgrave Road
Belgravia
East London
5201

Tel : 043 743 0522
Fax : 043 743 0534
E-mail : info@idcarch.co.za
E-mail : idcarch@iweb.co.za

Client : **arts and culture**
Department: Arts and Culture
REPUBLIC OF SOUTH AFRICA

Implementing Agent:
idt
Independent Development Trust

Project title : JL DUBE HERITAGE		
Building :	SITE PLAN	
Dwg title :	SITE PLAN - ORIGINAL J.L. DUBE FAMILY HOME, FENCE DETAIL - ELEVATION, FENCE DETAIL - SECTION, FENCE DETAIL - PLAN, GATE DETAIL - ELEVATION, GATE DETAIL - PLAN, FENCE DETAIL - PLAN, GATE DETAIL - SECTION, PEDESTRIAN GATE - ELEVATION	
Dwg purpose :	PRELIMINARY DWG	
Checked :	Drawn :	Scale :
B. Ilori	P.MYBURGH	1:200, 1:25, 1:50, 1:35
Rev. no. :	Date :	Paper size :
3	14 February 2013	A1
Project no. :	DBN/JLDH/	
Dwg. no. :	DBN/JLDH/1001-SK	