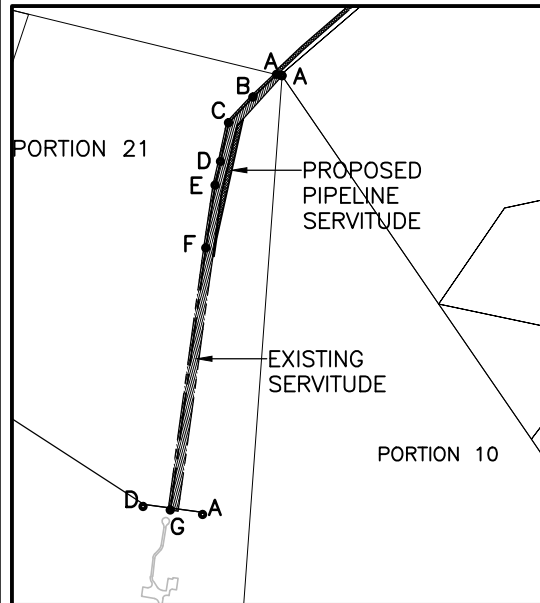


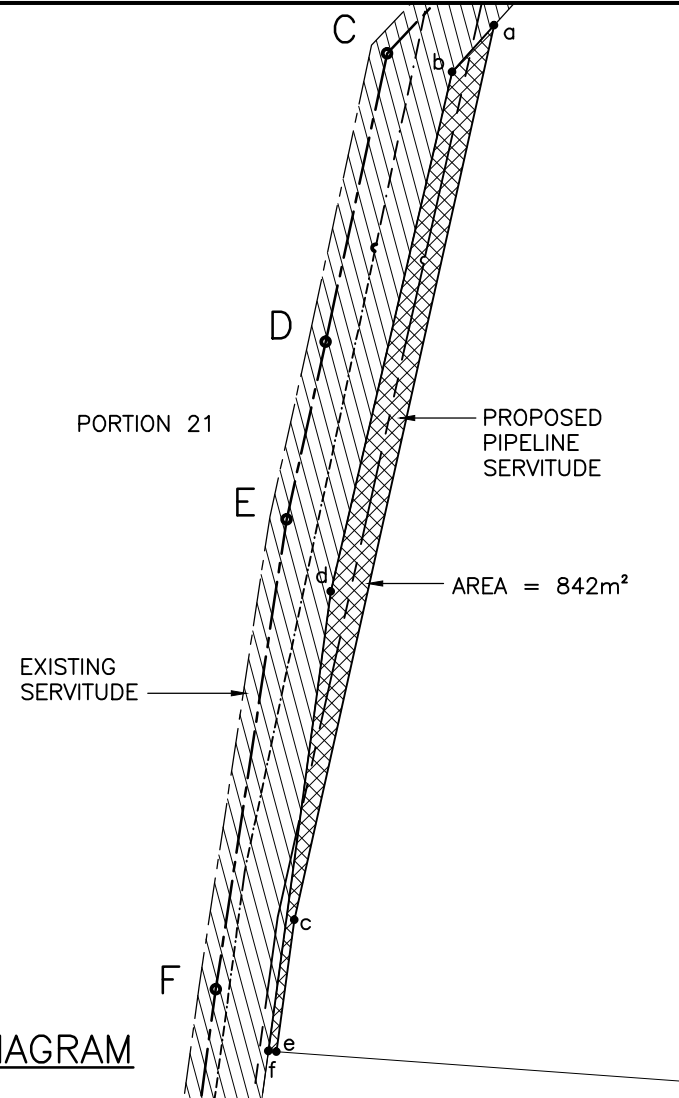
SIDES METERS	ANGLES OF DIRECTION	CO-ORDINATES (System WGS 84)	
		Y	X
		0	+37 00 000.0
AB	43.24 46 36 30	A	-33710.858 63249.139
BC	46.90 43 14 00	B	-33679.420 63278.905
CD	52.07 12 03 10	C	-33647.300 63313.075
DE	32.16 12 21 30	D	-33636.430 63363.985
EF	83.96 8 34 30	E	-33629.540 63395.375
FG	349.72 7 43 00	F	-33617.038 63478.369
		G	-33570.070 63824.975



CO-ORDINATES (System WGS 84)		
POINT	Y	X
a	-33666.1671	3763308.0938
b	-33658.7570	3763316.3303
c	-33630.9177	3763466.1086
d	-33637.3490	3763408.0747
e	-33627.7669	3763489.3704
f	-33626.3200	3763489.2650

THE LINE A B C D E F G REPRESENTS THE CENTRE LINE OF A PIPE LINE SERVITUDE 6 METRES WIDE OVER REMAINDER PORTION 21 (A PORTION OF SEAVIEW WEST) OF THE FARM SEA VIEW No. 28

SERVITUDE DIAGRAM
NOT TO SCALE



DESIGNED	RB	APPROVED	SCALE
DRAWN	SM		1 : 10000
CHECKED	GC	PROJECT MANAGER	DATE
		DIRECTOR	03/12/08

NELSON MANDELA BAY MUNICIPALITY
SEAVIEW BULK WATER

PORTION 21
S.G. No 2494/1996

BOSCH STEMELE
Consulting Engineers • Project Managers

BOSCH STEMELE (PTY) LTD.
P.O. BOX 27158, GREENACRES, P.E. 6057.
BLOCK 2, GROUND FLOOR, GREENACRES OFFICE PARK
2nd AVENUE, NEWTON PARK, PORT ELIZABETH, 6045, RSA
TELEPHONE: (041) 363 0598 TELEFAX: (041) 363 7646
E-mail: bspe@boschstemele.co.za
www.boschstemele.co.za

COPYRIGHT AND USE OF THIS DRAWING IS RESERVED BY BOSCH STEMELE

DRAWING NUMBER **8003/011/011B** A4 REVISION **0**