



Photo Voltaic Centre

Restant Noupoort NR97 en Restant ged.nr1 plaas Naaupoort AR97
Transportakte NO 10668/1997

Dreunberg Eastern Cape

BACKGROUND INFORMATION DOCUMENT FOR BASIC ASSESSMENT PROCESS

MAY 2011

Background

An Environmental Impact Assessment (EIA) process has commenced in terms of R545 of the National Environmental Management Act (1998) relating to the proposed establishment of a “hub” or “farm” of concentrated photovoltaic panels to be used in the generation of approximately 100MW of power on the abovementioned property at Dreunberg in the Eastern Cape. The applicant, Scatec Solar SA (Pty) Ltd, a solar power production company, wishes to introduce power to the electricity grid in terms of the REFIT or “feed in tariff” structure presently on offer by Eskom. The establishment of a solar power generation facility requires authorisation from the National Department of Environmental Affairs.

The application for authorisation requires the undertaking of an environmental impact assessment process, which entails an initial scoping of the site and engagement with interested and affected parties (IAPs) and encapsulation of information into a scoping report to be compiled in terms of the National Environmental Management Act, 1998 (Act No. 107 of 1998). Following the provision of the scoping document to the National Department of Environmental Affairs and their acceptance and approval of the contents thereof, an environmental impact assessment will commence. The EIA process within the NEMA is indicated overleaf.

This document highlights pertinent information for all Interested and Affected Parties (I&APs) associated with the assessment and provides further information on technical issues related to the project.

Further to the above, the local authority and other role players in the power generation process require environmental information in order to consider the proposed development and to provide further management input. Other relevant authorities include The Department of Economic Development and Environmental Affairs.



Legal

Other legislation that requires consideration includes:

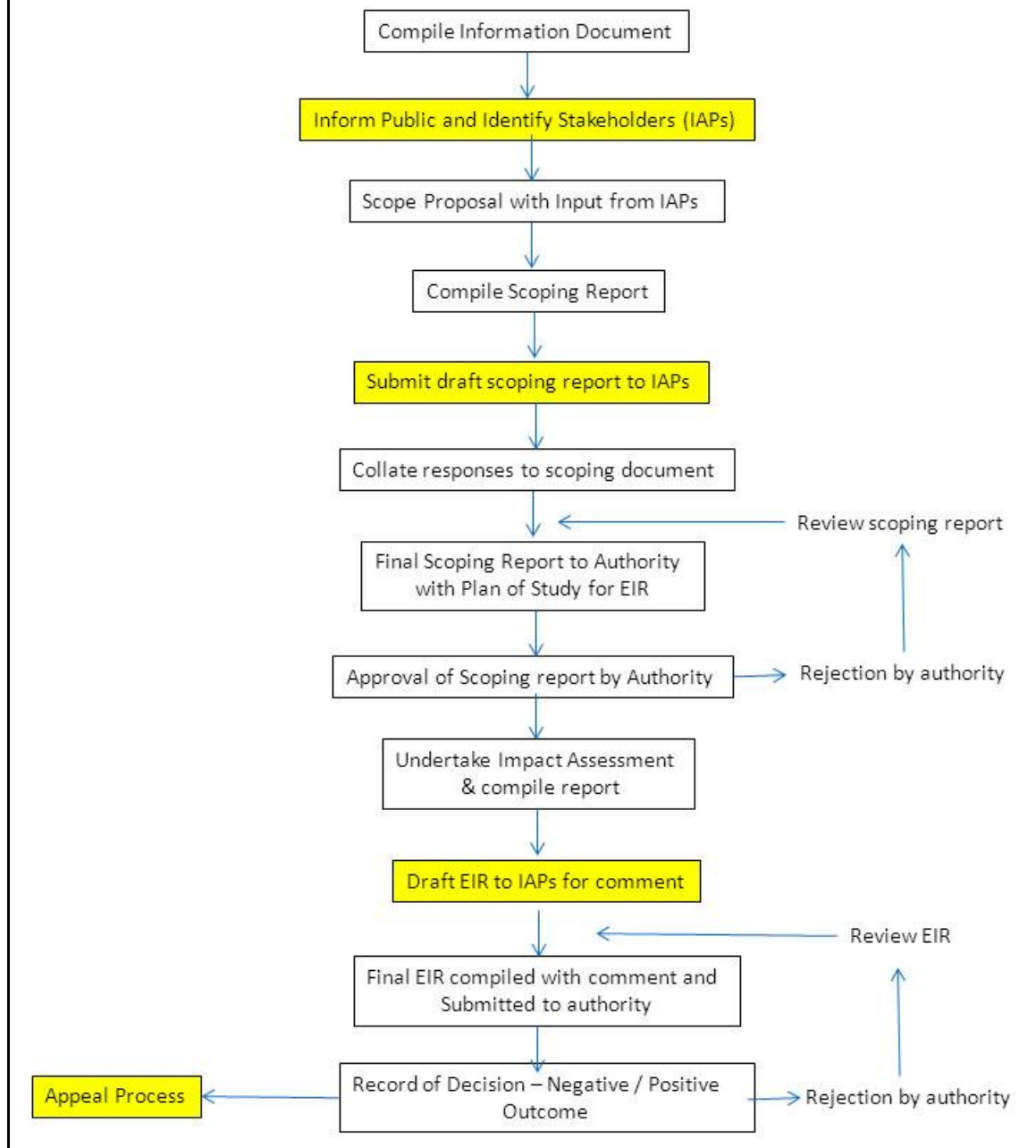
1. The NEMA Biodiversity Act (2005)
2. National Cultural Heritage Act (1998)
3. National Water Act (1998)

Application is made under R544 and R545 of the National Environmental Management Act for the following activities;

R544.2010	1	The construction of facilities or infrastructure for generation of electricity where: (i) The electricity output is more than 10 MW but less than 20 MW or (ii) The output is 10MW or less but the total extent of the facility covers an area in excess of 1 hectare.
	10	The construction of facilities or infrastructure for the transmission and distribution of electricity- (i) Outside urban area or individual complexes with a capacity of more than 33 but less than 275kV; or (ii) Inside urban areas or industrial complexes with a capacity of 275kV or more
	23	The transformation of undeveloped, vacant or derelict land to- (ii) Residential, retail, commercial, recreational, industrial or institutional use outside an urban areas where the total area to be transformed is bigger than 1ha but less than 20ha
R545.2010	1	The construction of facilities or infrastructure for the generation of electricity where the electricity output is 20 megawatts or more.

R 545 NEMA, Listing Notice 2, requires that an environmental impact assessment process (EIA) be undertaken. As such, any activities triggered under R 544, Listing Notice 1, will be incorporated into the EIA. The process of consultation and investigation required in terms of R 545 is identified overleaf. The flow diagram highlights those points in the process (yellow) where public input or input from interested and affected parties (IAPs) may be made. The option for Interested and Affected Parties and members of the public in general to appeal any decision emanating from the competent authority is also highlighted.

R545 thresholds Listing Notice 2 Environmental Impact Assessment



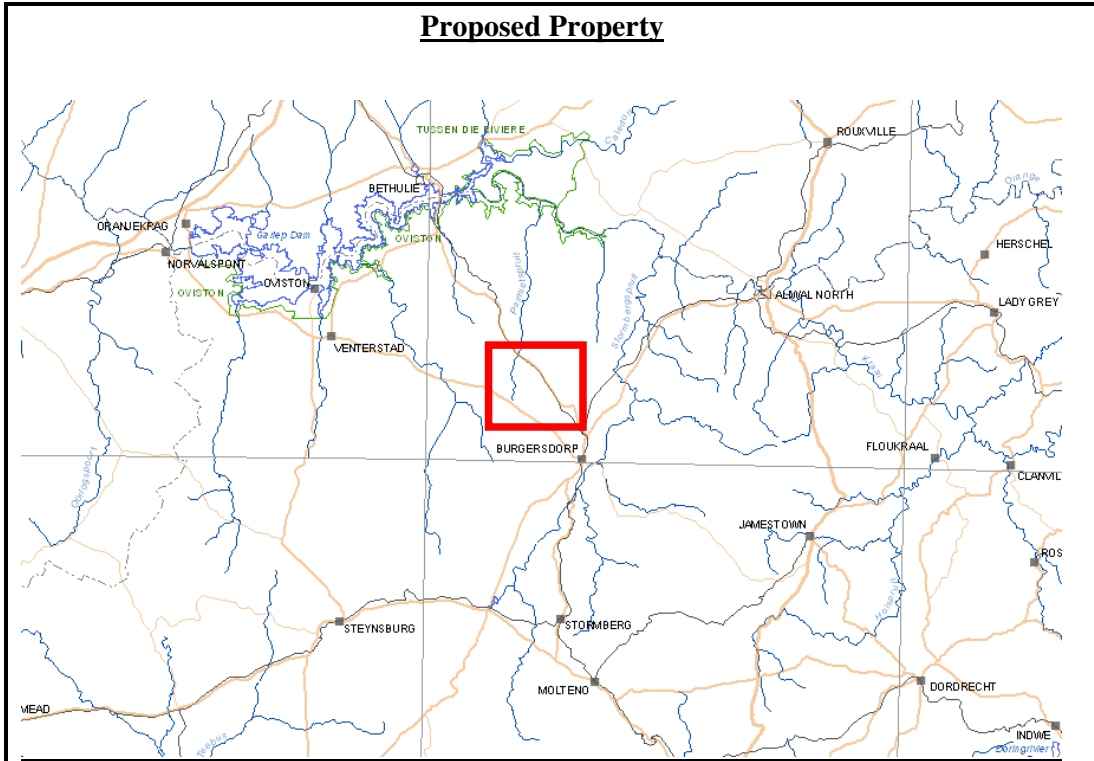


Figure 1 - Sites in a regional context

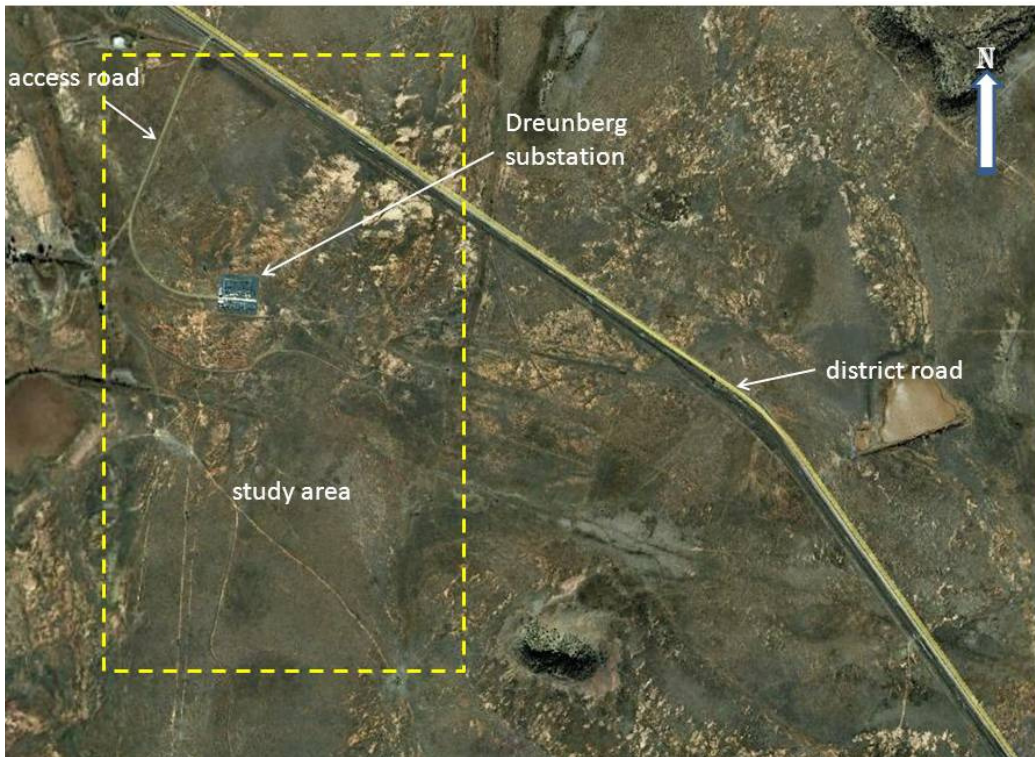


Figure 2 – Study area in and around Dreunberg Sub station from aerial perspective (Google, 2010)



Fig 3. Image indicating nature of site on Restant Noupoort NR97 en Restant ged.nr1 plaas Naaupoort AR97 Transportakte NO 10668/1997. Note Dreunberg sub station in background.

Nature of Site

The affected property is currently under grazing of primarily sheep and goat and is located within a palaeo alluvial terrain associated with the Eastern Upper Karroo biome. The sites can be described as gently undulating with a sandy to sandy clay soil of varying lithic form. Intermittent flooding and inundation may occur on site within low lying portions of the property with drainage generally in a north westerly direction

The site is easily accessible from the R 58 lying to the north of Burgersdorp with Eskom's Dreunberg substation lying within the study area. A railway line is present to the west of the site.

GPS Co-ordinates

South 30° 49' 39.5", East 26° 12' 38."

Applicant

The applicant is Scatec SA (Pty) Ltd, represented by Mr. J Borrill. The applicant is a BEE company with an international component (Scatec Solar) specialising in solar power with offices in Germany and Norway and operating plants in 8 countries world wide. For further information please log on to www.scatecsolar.com

Environmental Assessment Practitioner

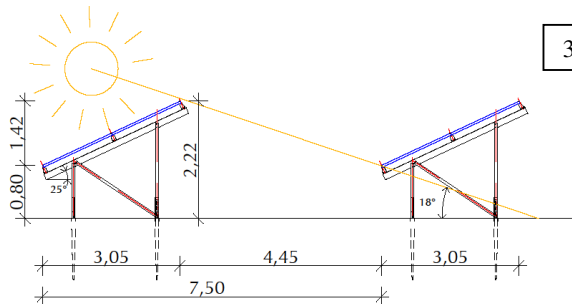
Sustainable Development Projects cc has been appointed by the developer as the independent environmental consultant to undertake the environmental authorization process. For further information please log on to www.ecocoast.co.za

The Development

The proposed development entails the establishment of panels of cells that are situated on raised aluminium, stainless steel or wooden frames. Such frames are approximately 3.0m in width, with a height of 2.2m. The panels are established at an angle of approximately 25° from the horizontal. (see fig's 3 a, b and c). The frames are founded by means of small concrete plinths. Some electrical wiring and power lines are positioned below ground with switch boxes established on the frames



3a



3b



3c

Specialist Investigations

General evaluations relating to the geology and ecology of the sites, climatics and visual aspects will be undertaken and incorporated into the environmental scoping report. **Alternative layout options** that may be considered on site will be reviewed in light of terrain and technical issues. No site alternatives are to be considered due to technical constraints relating to connection to the grid and the availability of the property in question. As such the property is located next to and around the Dreunberg sub-station which offers the only point of connection for photovoltaic facilities within the Eskom grid at this point. Other specific considerations relating to the site will be identified during the scoping phase of the process.

Role of Interested and Affected Parties

Interested and Affected Parties are invited to comment on the above proposal, and all such comment will be included in the environmental scoping report. Registered IAPs will be forwarded a copy of the draft scoping report prior to submission to the Department of Environmental Affairs for evaluation.

Should response to this application warrant a public meeting, a meeting will be scheduled and registered IAPs will be informed. Alternatively, interaction with individual interested and affected parties will be undertaken by the EAP and such interactions documented.

Please forward all comments or for further information, please contact;
Sustainable Development Projects cc
P O Box 1016, Ballito, 4420
Tel 032 – 946 0685 Fax 032-9460784
simon@ecocoast.co.za / rivani@ecocoast.co.za

RESPONSE FORM

Photo Voltaic Centre, Dreunberg Eastern Cape

Ihave been informed of the proposed development on the above mentioned property. My response and comments on the proposed development are contained below.

Details:

Postal address.....

Tel. number:

Fax. number:

E-mail:

1. Are you a resident of adjacent properties? **Y** **N**

If no, then please specify

Issues that are of concern to me emanating from this development are:

Issue and Description of Issue		Level of significance / concern		
		Low	Medium	High
Ecological	Issues relating to plant and animal life, destruction of habitat, destruction of estuarine habitat, runoff into water courses, etc.			

Issue and Description of Issue				
		Low	Medium	High
Other (please describe)				
Other (please describe)				

The following opportunities for mitigation are proposed

.....
.....
.....

Additional Comments

.....
.....
.....
.....

Please attach any further correspondence or submission you may wish to make on this matter to this response form

Please return to P O Box 1016, Ballito or fax to 032-946 0784

E-mail simon@ecocoast.co.za / rivani@ecocoast.co.za