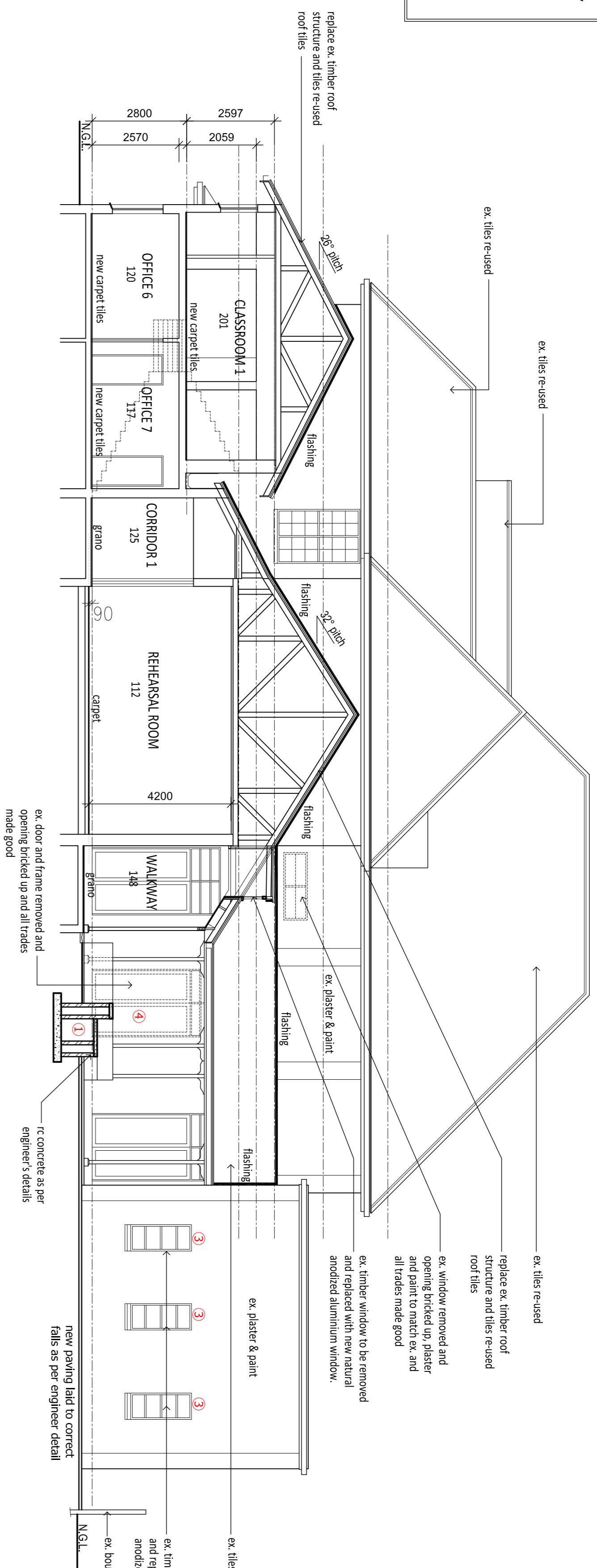


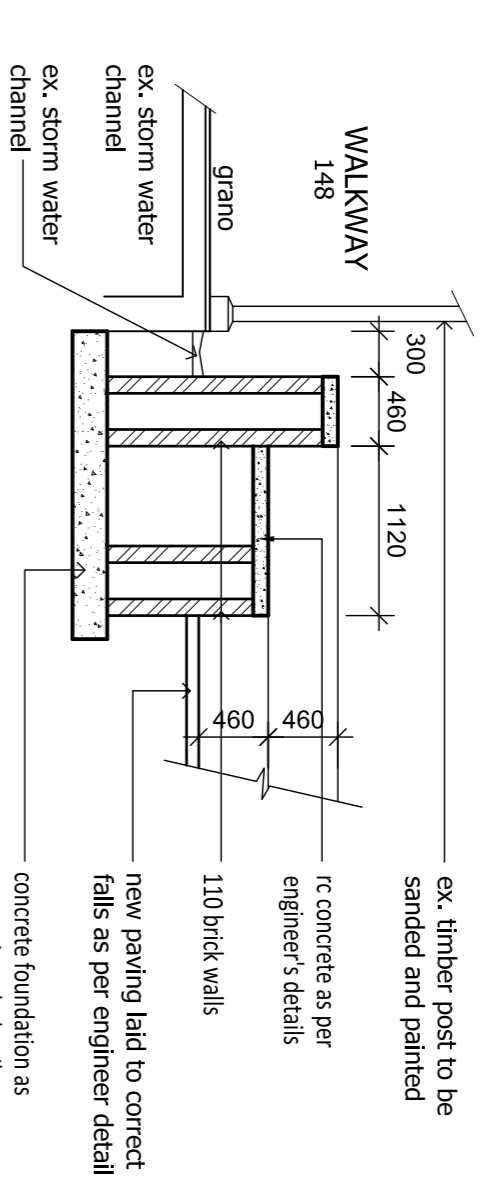
LIST OF PROPOSED WORK

1. Proposed amphitheatre seating in brick and concrete. See section F-F.
2. Courtyard landscaping and lights removed.
3. Existing timber windows replaced with powder coated aluminium frame windows.
4. Existing doors to theatre to be bricked-up.
5. Air-conditioning units removed and openings to be bricked-up.
6. New security gate added.
7. External finishes to be refurbished.
8. Internal finishes to be refurbished, floors sanded and sealed, carpets removed and partitioning removed.



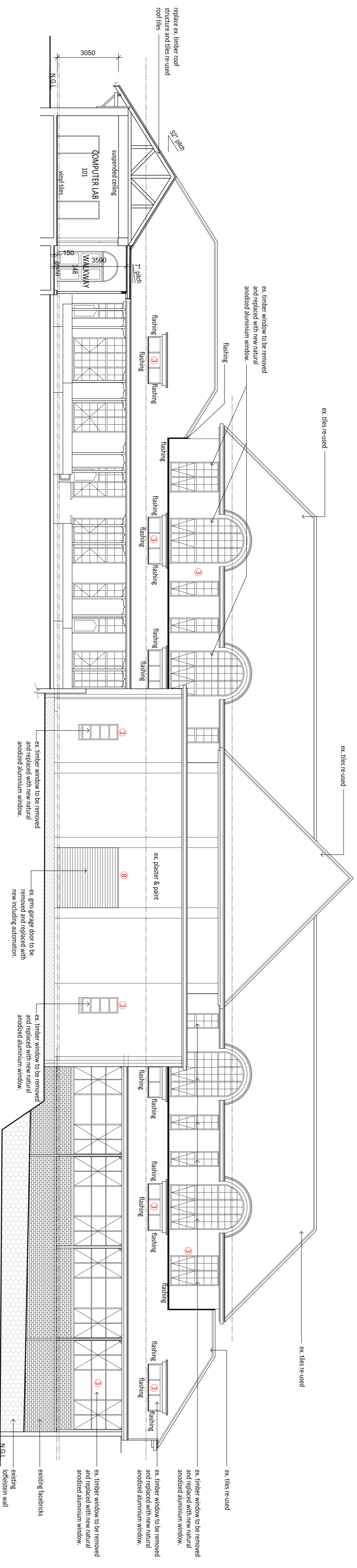
BLOCK DM – SECTION C – C

SCALE 1:100



BLOCK DM – SECTION F – F

SCALE 1:50



BLOCK DM – SECTION D – D

SCALE 1:100