


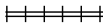


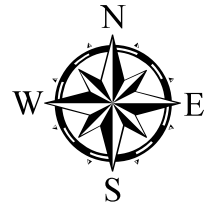
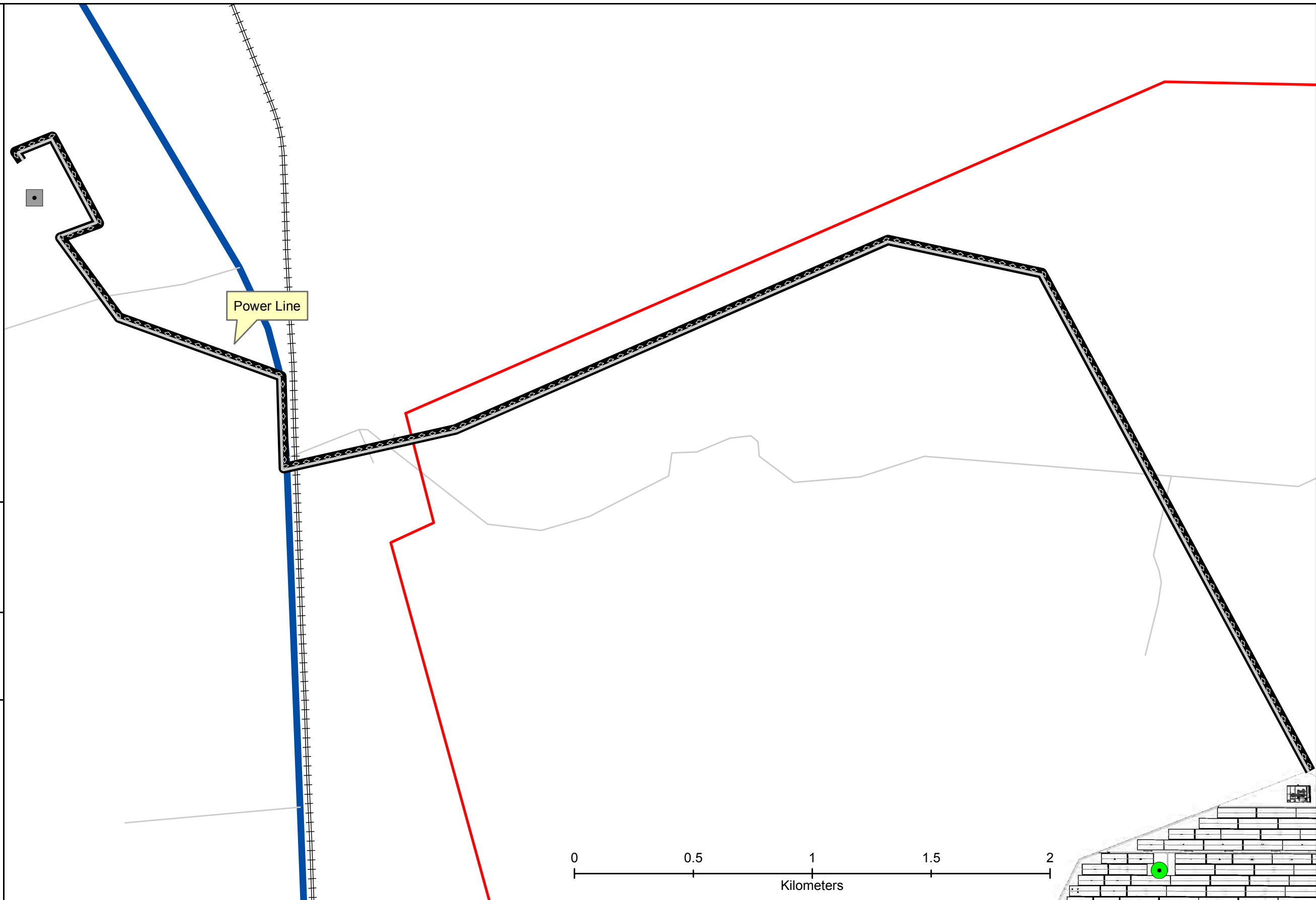
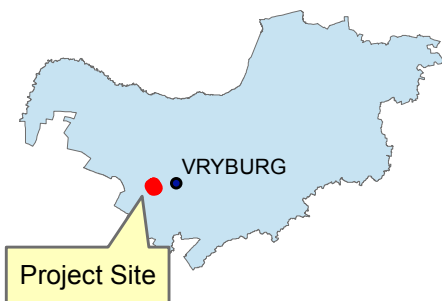


Legend

-  Mookodi Substation
-  Waterloo Power Line
-  HIA 1
-  Railway
-  Waterloo
-  Layout



NORTH WEST PROVINCE
LAYOUT MAP



LAYOUT MAP: THE PROPOSED POWER LINE AS PART OF THE WATERLOO SOLAR ENERGY FACILITY, NEAR VRYBURG, NORTH WEST PROVINCE.



Adapted from the 1:50 000 Topographical Maps

GPS:
27° 01' 35.68"S
24° 46' 59.80"E

Project Nr.
2015-34