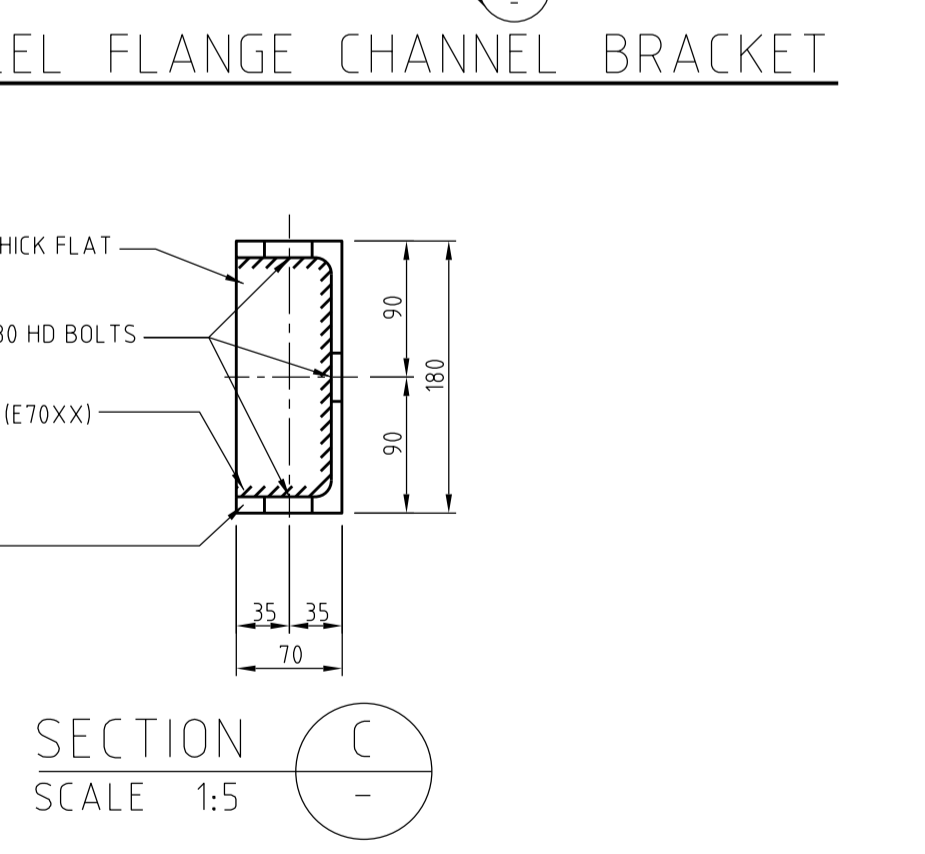
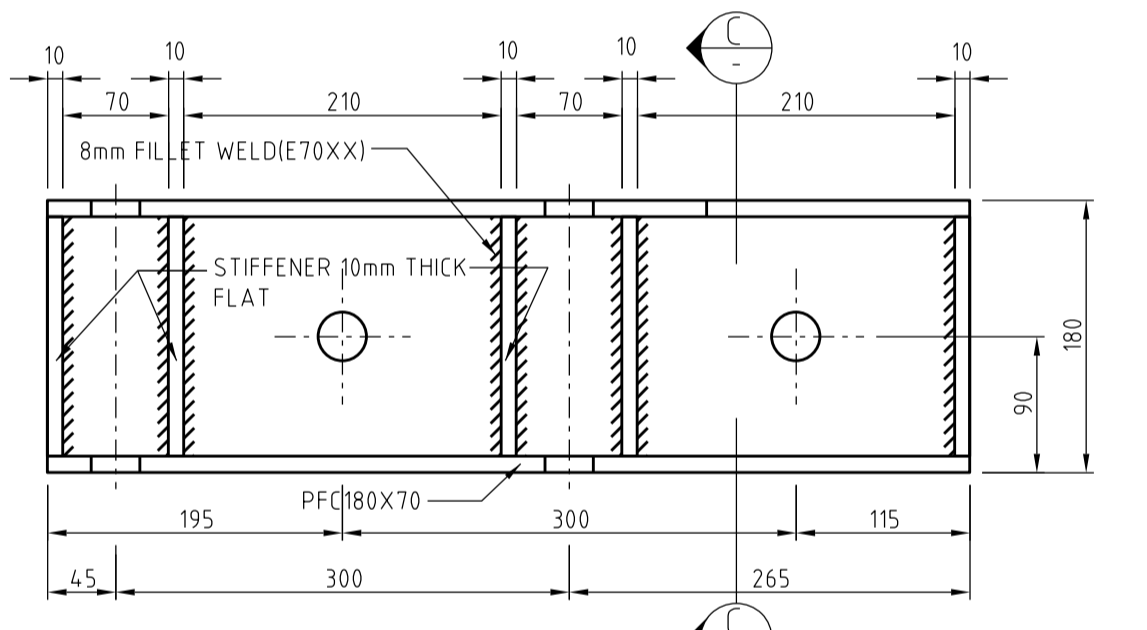
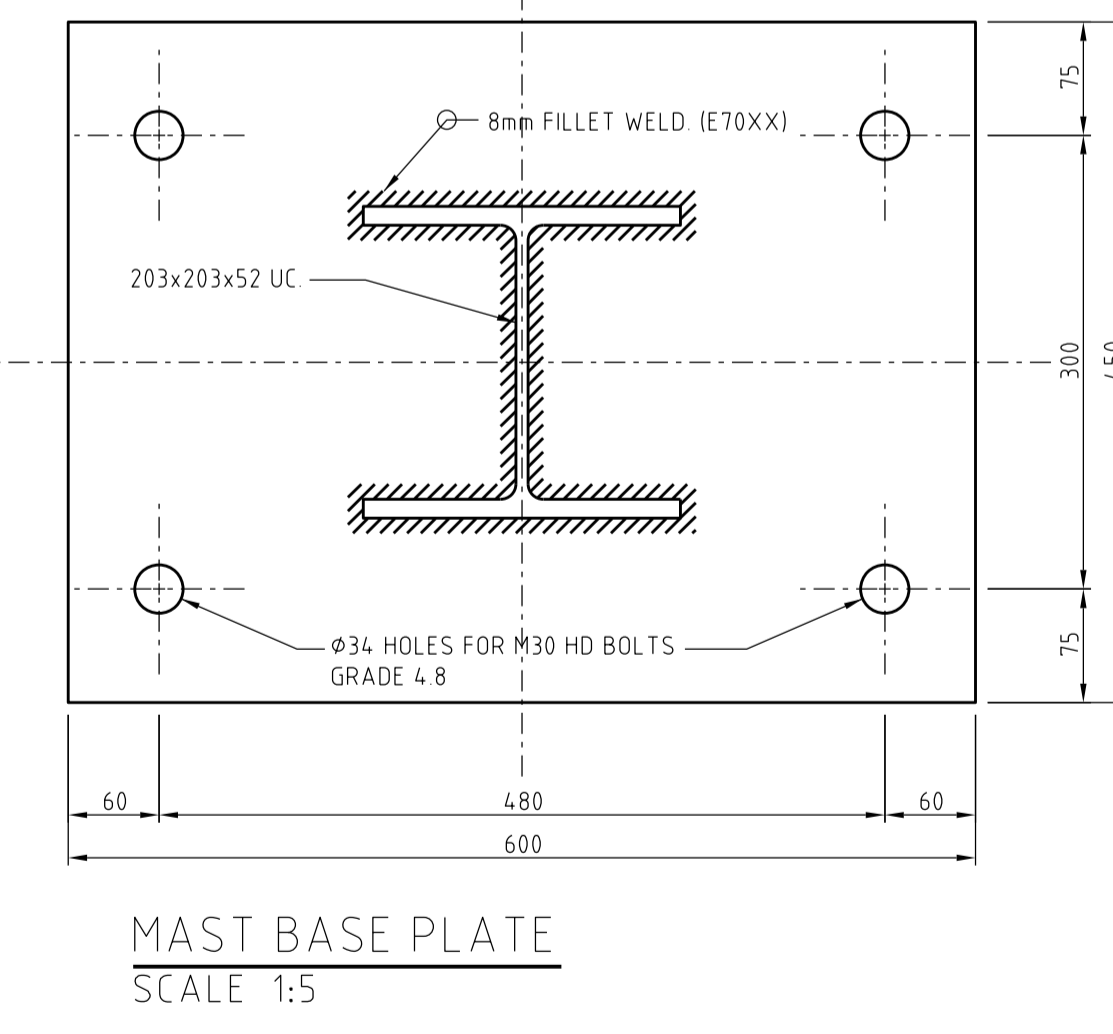
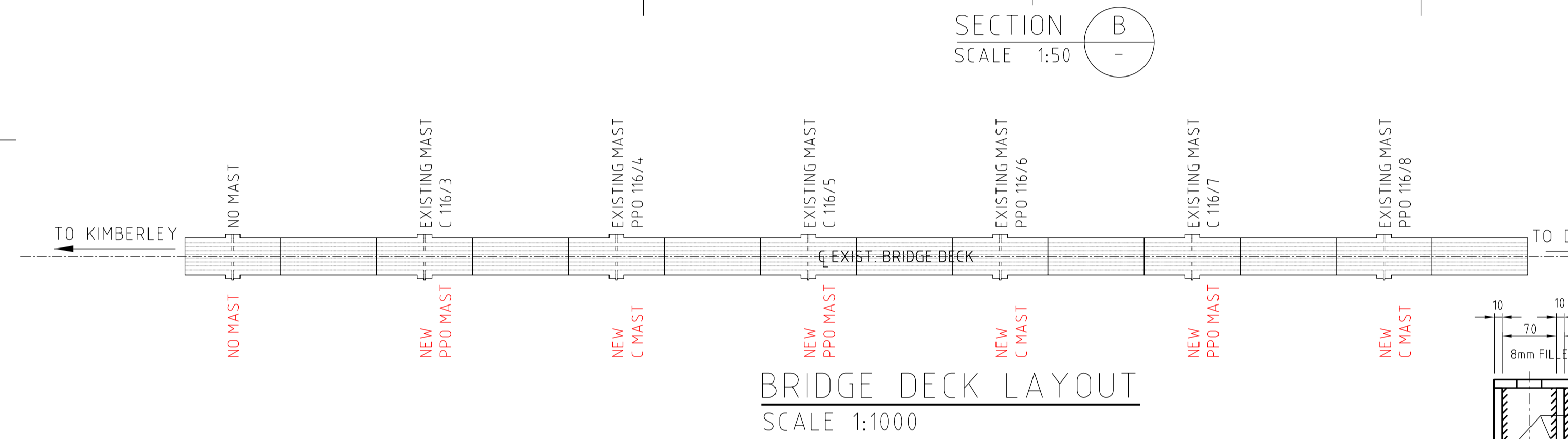
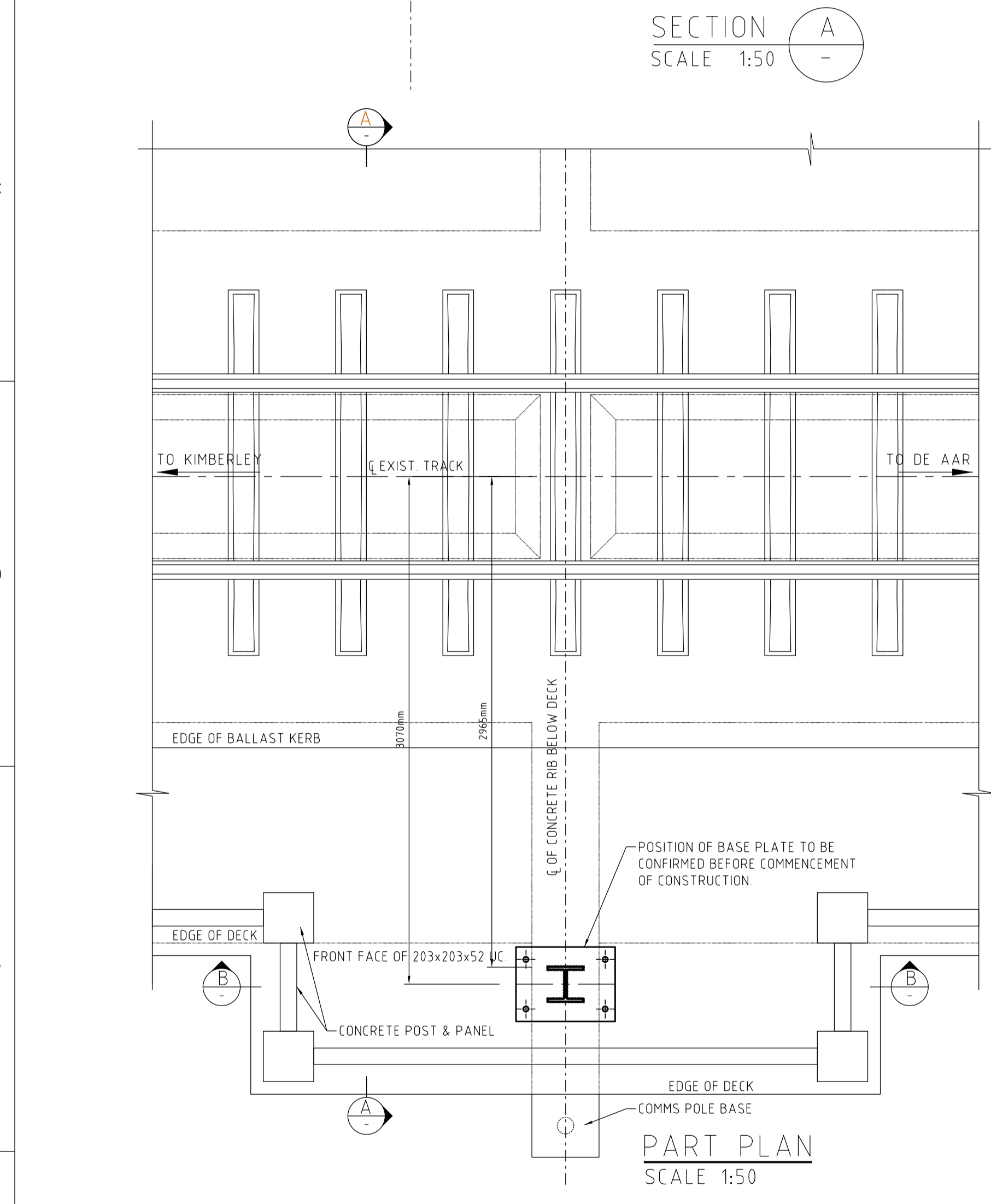


- NOTES:
1. BASE PLATE: 600x450x30 THICK GRADE 350W.
 2. BOLTS: M30 HD, GRADE 4.8
 3. IN ADDITION TO MECHANICAL FIXING OF MASTS, ALL BOLTS TO BE CHEMICALLY ANCHORED, WITH EPOXY TYPE-EPIDERMIX 395 OR EQUIVALENT.
 4. WELDS: 8mm FILLET (E70XX)
 5. ALL STIFFENERS TO BE 10mm THICK
 6. SEE DRG No. H339473-3-214-E-LA-0001-42 FOR APPLICATION



- NOTES
1. DO NOT SCALE DRAWING - ONLY DIMENSIONS SHOWN TO BE USED.
 2. THE CONTRACTOR SHALL VERIFY ALL CONDITIONS, DIMENSIONS AND LEVELS ON THE SITE AND NOTIFY THE NEG SUPERVISOR OF ANY VARIATIONS BEFORE CONSTRUCTION.

DRAWING NO.	REFERENCE
1	REFERENCE DRAWINGS
2	

NO.	DESCRIPTION	BY	CHKD	APPD	DATE
0B	CLIENT REVIEW				
0A	INTERNAL REVIEW	AJO	CG	JPIP	12/03/22

REVISIONS

This Document including all design and information therein is Confidential Intellectual Property of Transnet. Copyright and all other rights are reserved by Transnet. This Document may only be used for its intended purpose.

CONTRACTOR / CONSULTANT				TRANSNET CAPITAL PROJECTS			
TITLE	NAME	SIGN	DATE	TITLE	NAME	SIGN	DATE
DRAWN	AJO		12 03 19				YY MM DD
CHECKED							
DISC. LEAD							
ENG. MANAGER							
PROJECT MGR							
OPERATING DIVISIONS				PR.ENG. / PR.TECH./PR. ARCH			

HATCH DRAWING No: H339473 - 3214 - 70 - 042 - 0001 - 001

Transnet Capital Projects

TRANSNET LTD. (PROMOTING AS TRANSNET CAPITAL PROJECTS); REG. NO. 1996/000000/06
 237 MANIATAMA GANDHVI ROAD
 DURBAN TEL: 031 361 1696
 P.O. BOX 1073, DURBAN FAX: 0866 770815

NGQURA 16MTPA MANGANESE

**RAIL INFRASTRUCTURE
 BEAconsFIELD-DE AAR ORANJERIVIER BRIDGE
 STEEL MAST FIXING BRACKET
 ELECTRICAL GENERAL ARRANGEMENT**

PROJECT NUMBER	OD	FBS	DIS	TYPE	DRAWING NO.	SHEET	REV	ID
H 3 3 9 4 7 3	- 3	2 1 4	- E	G A	0 0 0 1	- 0 1	- 0 B	H A

SCALE: 1:1250