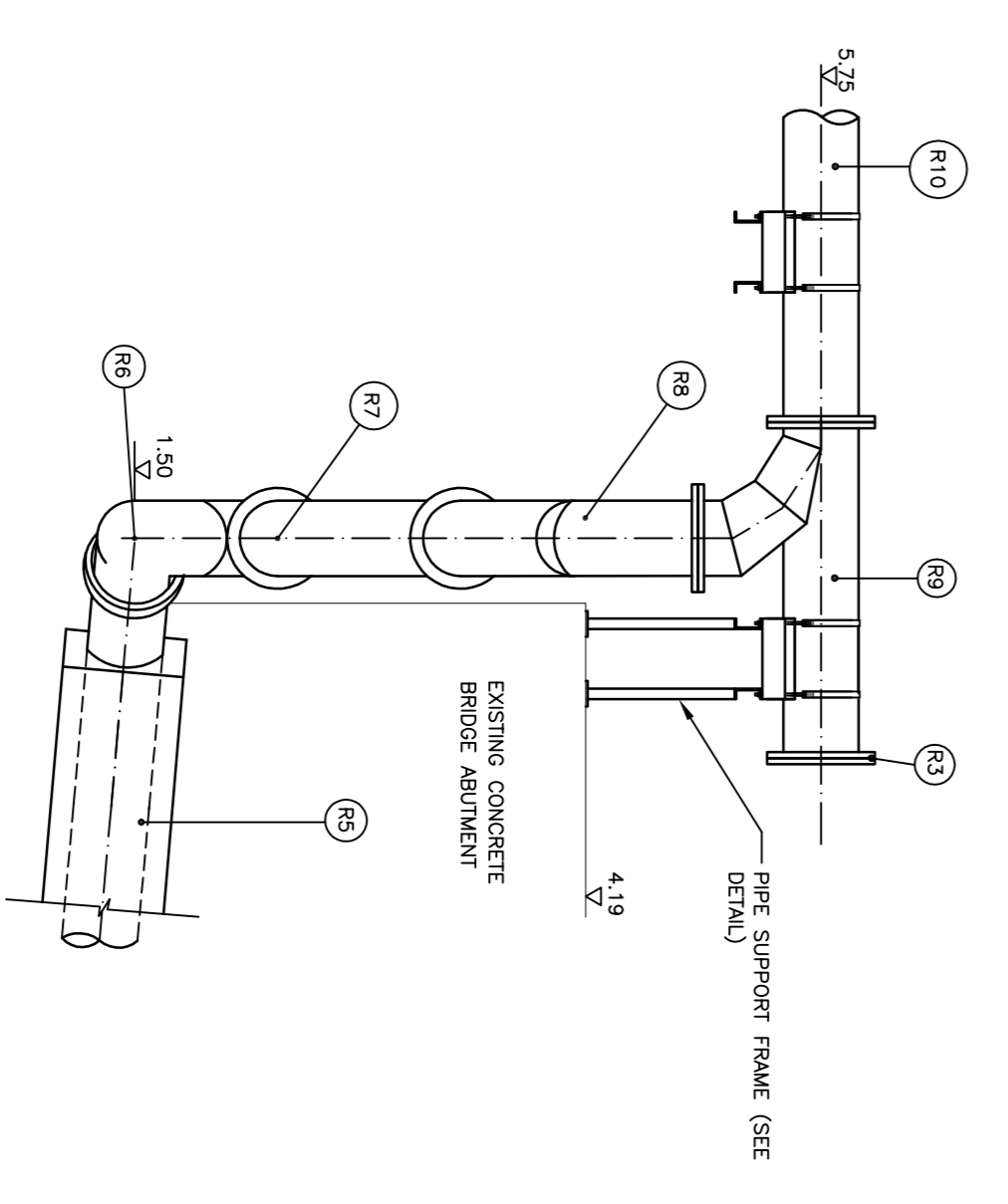


PLAN : NORTH ABUTMENT
1:50

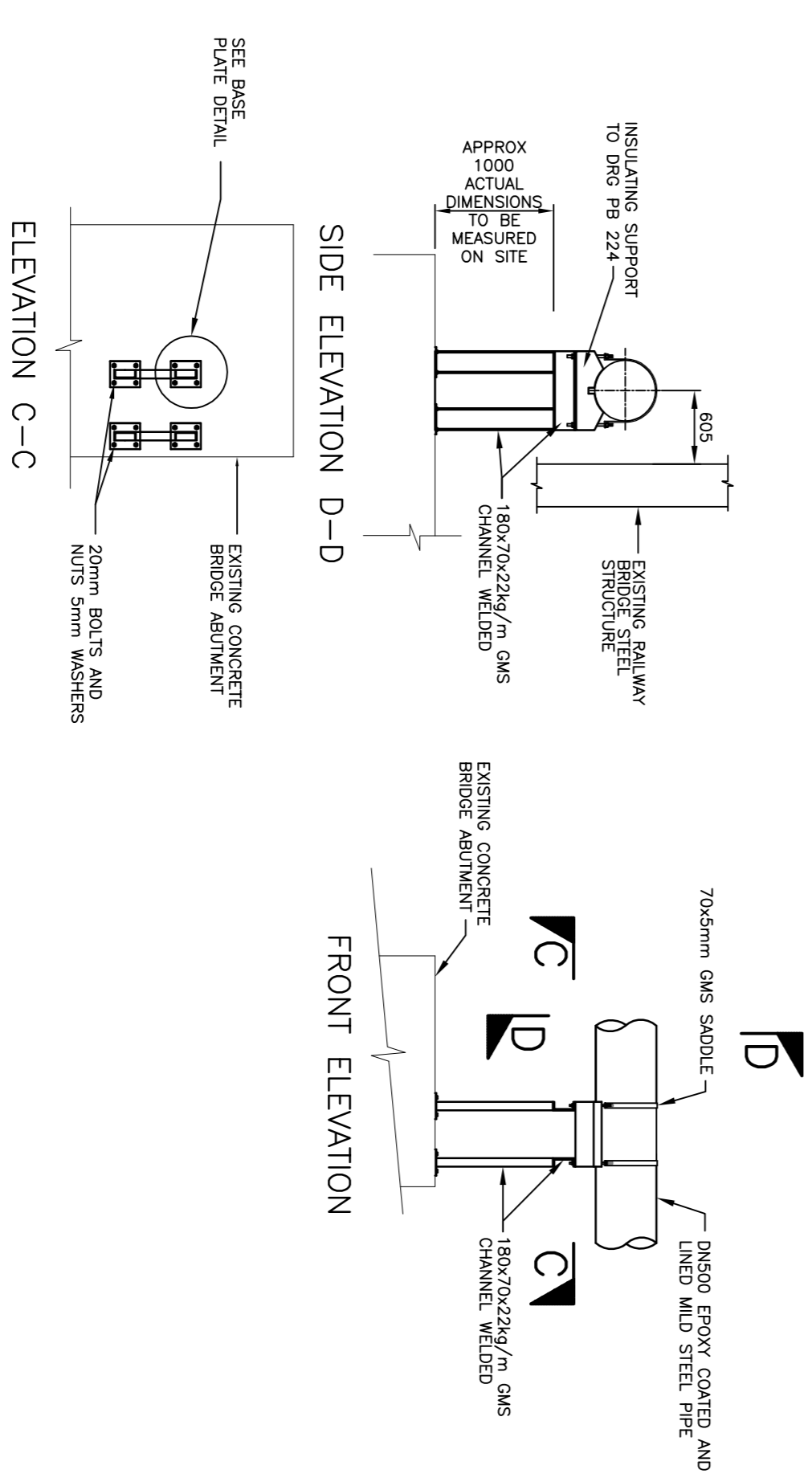
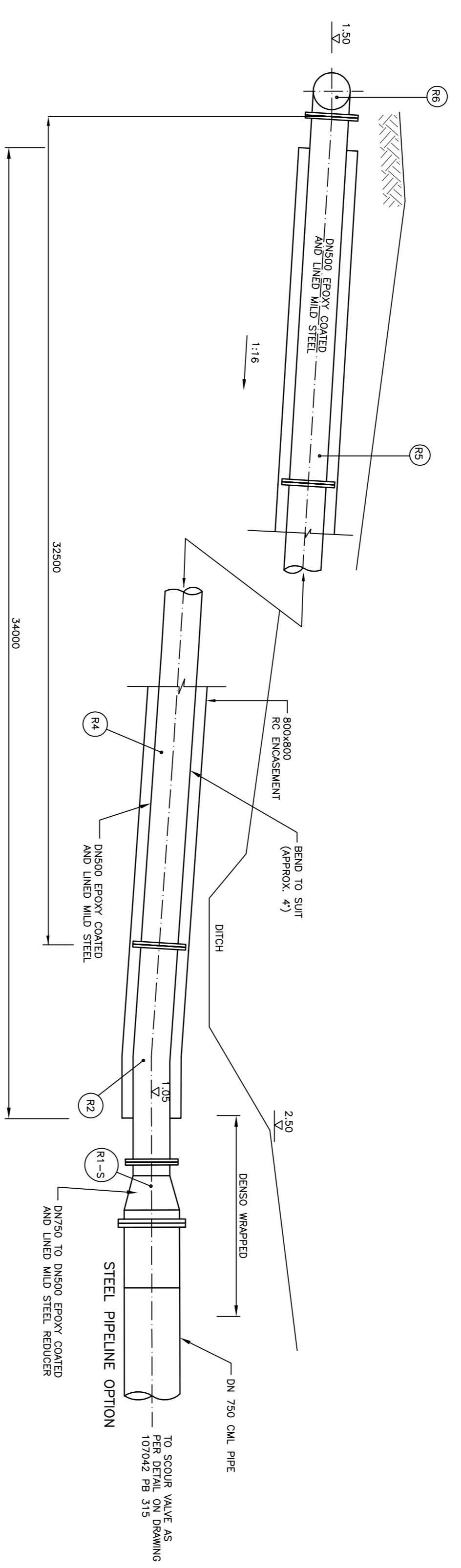


ELEVATION B - B
DETAIL B
1:50

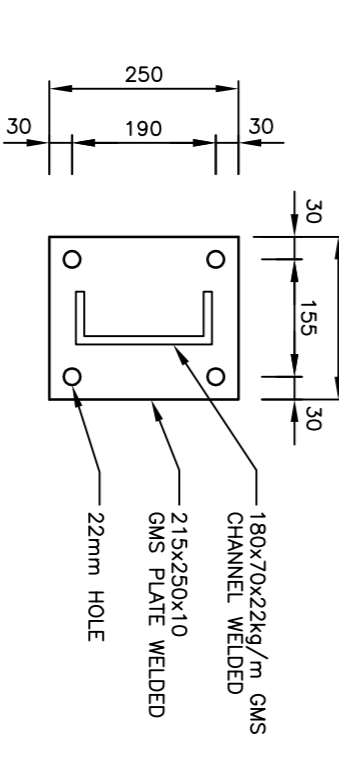
NOTE:
ALL LEVELS OF EXISTING INFRASTRUCTURE TO BE VERIFIED ON SITE.

NORTH ABUTMENT
1:50

ENCASEMENT UNDER DITCH
1:50



PLAN : BASE PLATE
1:10



PIPE SUPPORT FRAME DETAIL
1:50

ISSUED FOR CONSTRUCTION

REV No.	DATE	REVISIONS	DRAWN CHECK	APPR.	DRG No.	DESCRIPTION
00	21/11/12	ISSUED FOR CONSTRUCTION	K.N D.S	D.S	KOR 0000473	MALAZI CROSSING- GENERAL LAYOUT
					KOR 0000474	MALAZI CROSSING- BRIDGE DETAILS
					KOR 0000476	MALAZI CROSSING- SOUTH BANK
					KOR 0000477	PIPE SUPPORT BLOCK DETAIL
					KOR 0000478	MALAZI CROSSING- PIPEWORK SCHEDULE

REFERENCE DRAWINGS

aurecon
www.aurecongroup.com

AURECON DRAWING NUMBER
107042 PB 222

REV.	DATE	BY	CHKD.	APPD.
00		D. SHAW	D. SHAW	D. SHAW

NOTICE: THIS DRAWING HAS NOT BEEN PUBLISHED AND IS THE SOLE PROPERTY OF EXARO ZN SANDS AND IS LOANED TO THE BORROWER AND IN CONSIDERATION OF THE LOAN OF THIS DRAWING THE BORROWER PROMISES AND AGREES THAT IT SHALL NOT BE REPRODUCED, COPIED, LOANED OR OTHERWISE USED FOR ANY PURPOSE OTHER THAN THAT FOR WHICH IT IS FURNISHED.

MECHANICAL ENGINEER

bxaro
KZN | SANDS

PRIVATE BAG X20010
3880
Tel: +27 (0) 39 902-7000

FAIRBREEZE: INFRASTRUCTURE OVERLAND PIPE (34103): MALAZI RAILWAY BRIDGE CROSSING: NORTH BANK

DETAILS AND SECTIONS

SCALE: DRAWING NUMBER
AS SHOWN | KOR 0000475

REVISION: **A1**