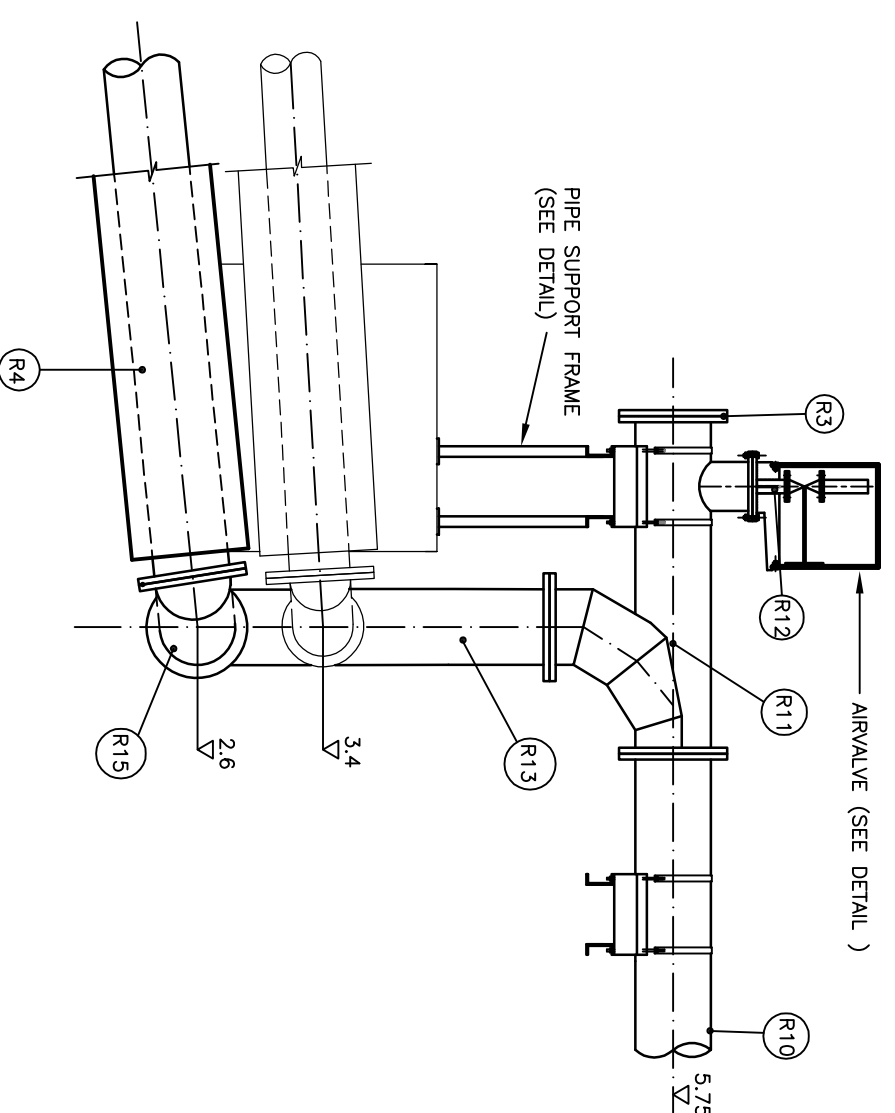
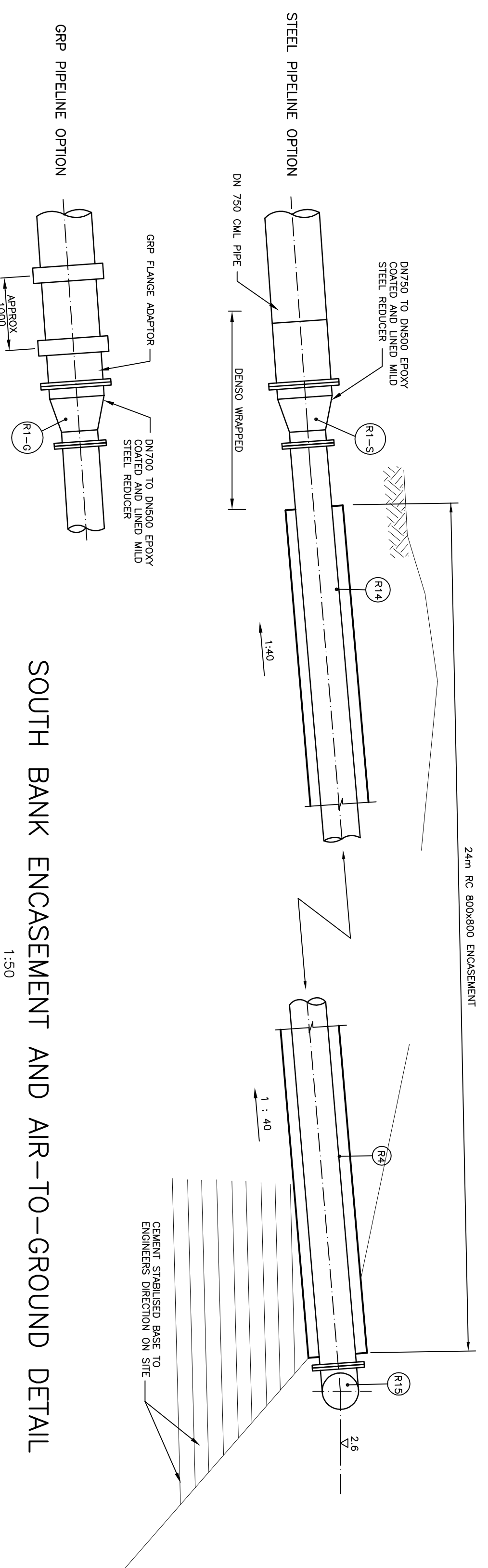


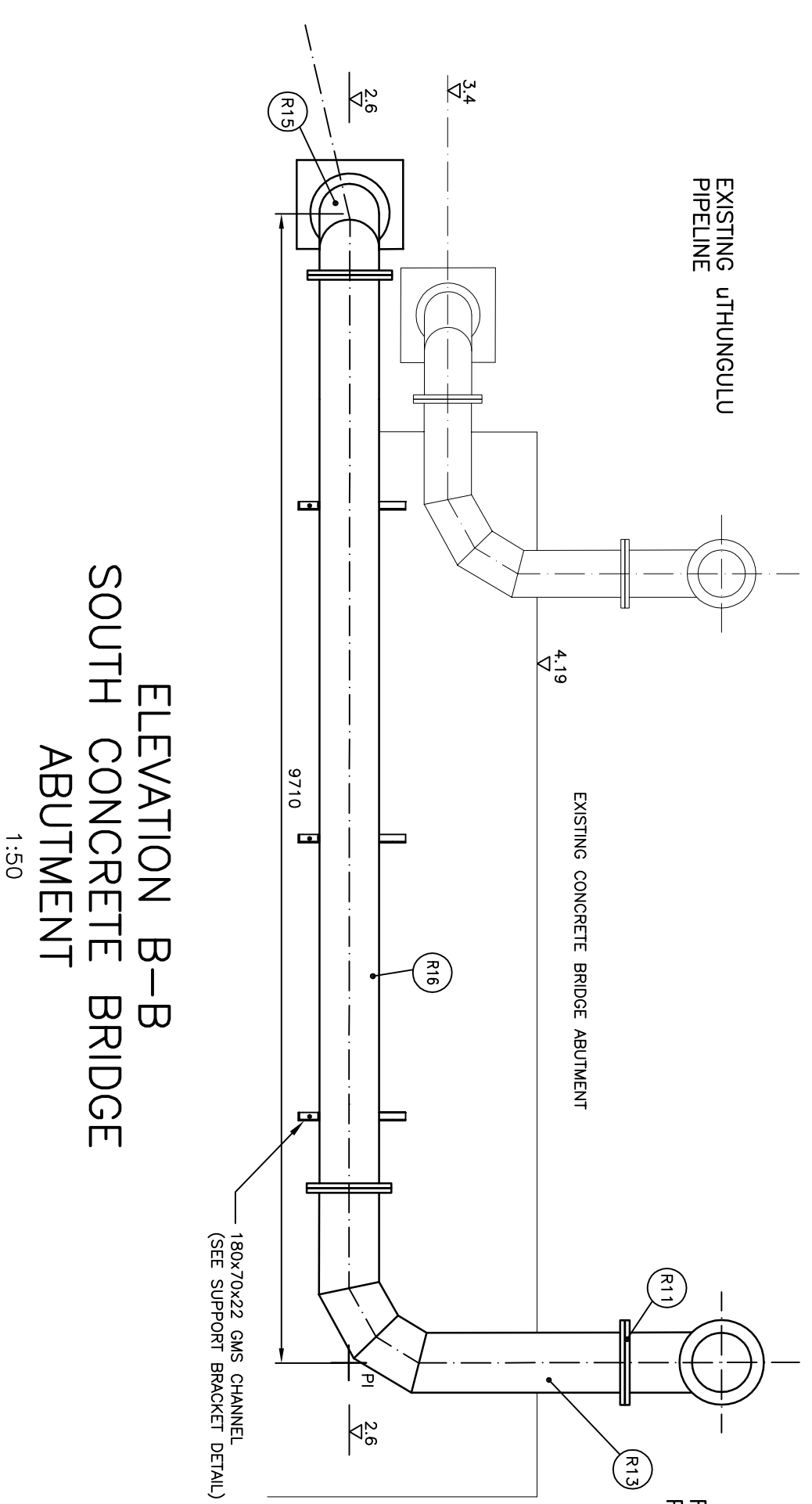
PLAN : SOUTH ABUTMENT  
1:50



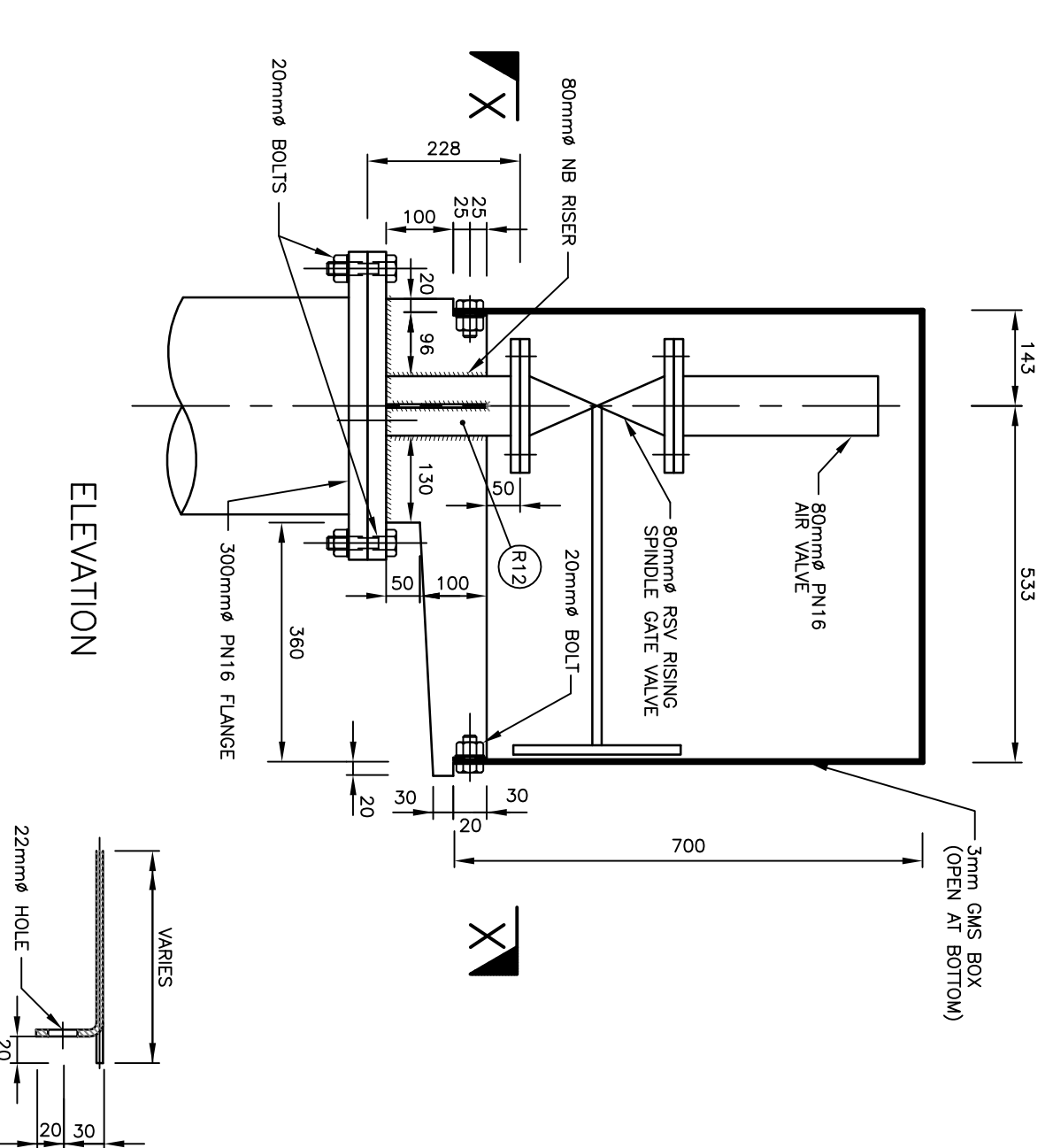
ELEVATION A - A  
1:50



SOUTH BANK ENCASEMENT AND AIR-TO-GROUND DETAIL  
1:50

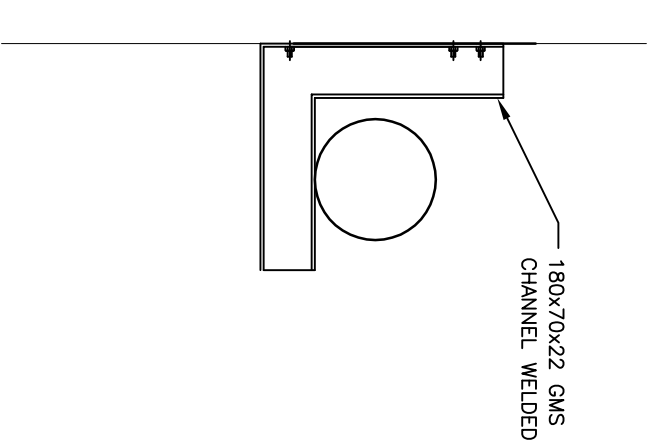


ELEVATION B-B  
SOUTH CONCRETE BRIDGE  
SOUTH ABUTMENT  
1:50

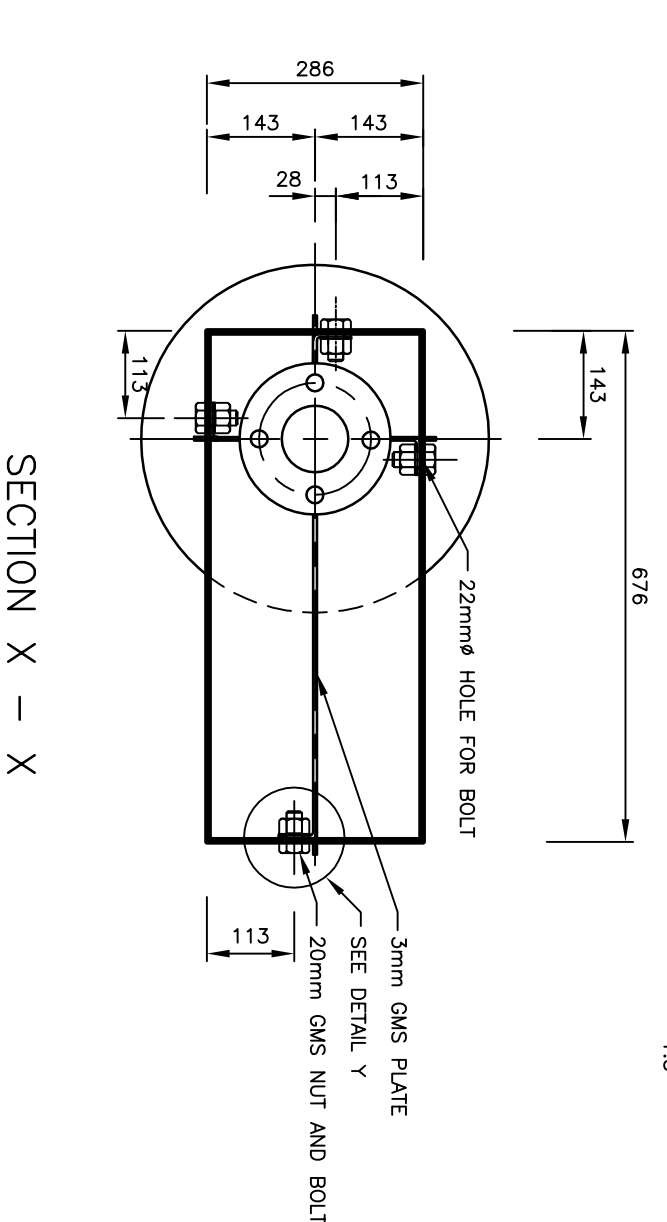


ELEVATION

DETAIL Y  
1:5



DETAIL OF SUPPORT BRACKET  
1:25



SECTION X - X  
1:10

AIR VALVE AND COVER DETAIL  
FOR ABOVE-GROUND PIPELINE

ISSUED FOR CONSTRUCTION

REV No.	DATE	REVISIONS	DRAWN CHECK	APPR.	DRG No.	DESCRIPTION
00	21/11/12	ISSUED FOR CONSTRUCTION	K/N D/S		KOR 0000473	MLALAZI CROSSING- GENERAL LAYOUT
					KOR 0000474	MLALAZI CROSSING- BRIDGE DETAILS
					KOR 0000475	MLALAZI CROSSING- NORTH BANK
					KOR 0000477	PIPE SUPPORT BLOCK DETAIL
					KOR 0000478	MLALAZI CROSSING- PIPEWORK SCHEDULE

REFERENCE DRAWINGS

**aurecon**  
www.aurecongroup.com

AURECON DRAWING NUMBER  
**107042 PB 223**

DRAWN BY	CHECK BY	DESIGNED BY	APPROVED BY	DATE
K. NGCOCO	D. SHAW	D. SHAW	D. SHAW	

AREA ENGINEER	DRAWN BY	CHECK BY	CLIENT
MECHANICAL		AREA MANAGER	MANAGER ENGINEERING
STRUCTURAL/PLUMBING			PROJECT & CONST. MANAGER
CIVIL			
ELECT. INSTRUMENTATION			
PROCESS			

SCALE	DRAWING NUMBER	REVISION
AS SHOWN	KDR 0000476	00

GENRE: **KZN SANDS**

FAIRBREEZE: INFRASTRUCTURE OVERLAND PIPE (34103): MLALAZI RAILWAY BRIDGE CROSSING: SOUTH BANK DETAILS AND SECTIONS

PRIVATE BAG X20010  
3880  
Tel: +27 (0) 35 902-7000

NOTICE: THIS DRAWING HAS NOT BEEN PUBLISHED AND IS THE SOLE PROPERTY OF EXXARO KZN SANDS AND IS LOANED TO THE BORROWER AND IN CONSIDERATION OF THE LOAN OF THIS DRAWING THE BORROWER PROMISES AND REQUESTS AND AGREES THAT IT SHALL NOT BE REPRODUCED, COPIED, LOANED OR OTHERWISE PUBLISHED FOR ANY PURPOSE OTHER THAN THAT FOR WHICH IT IS FURNISHED.

NOTE:  
ALL LEVELS OF EXISTING INFRASTRUCTURE TO BE VERIFIED ON SITE.