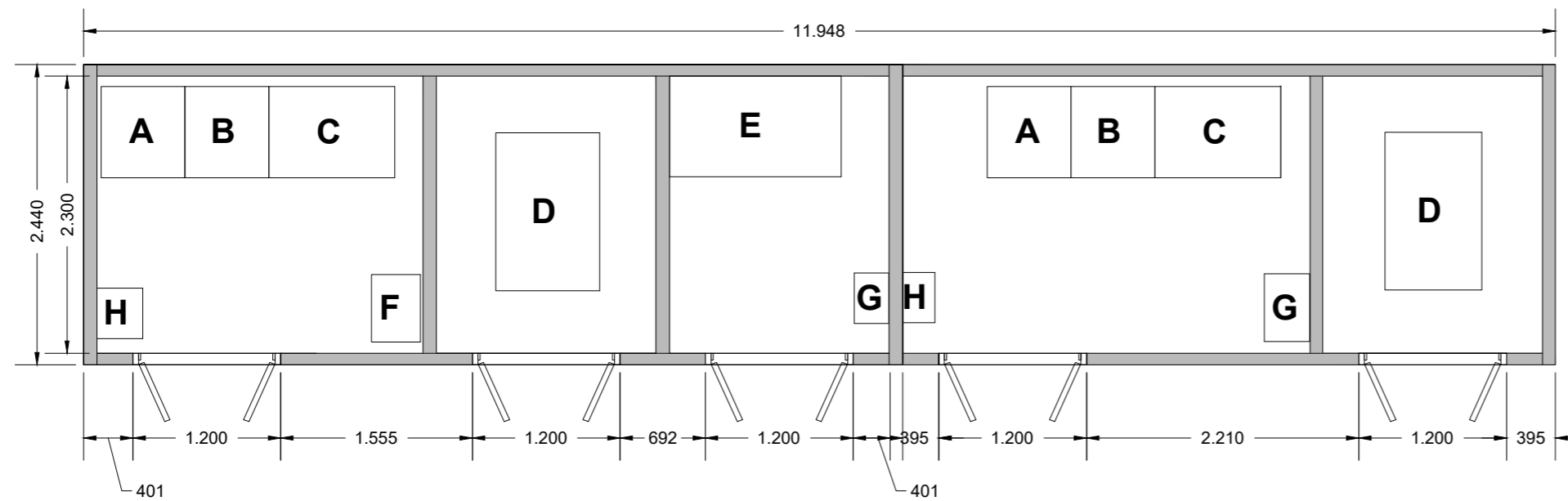


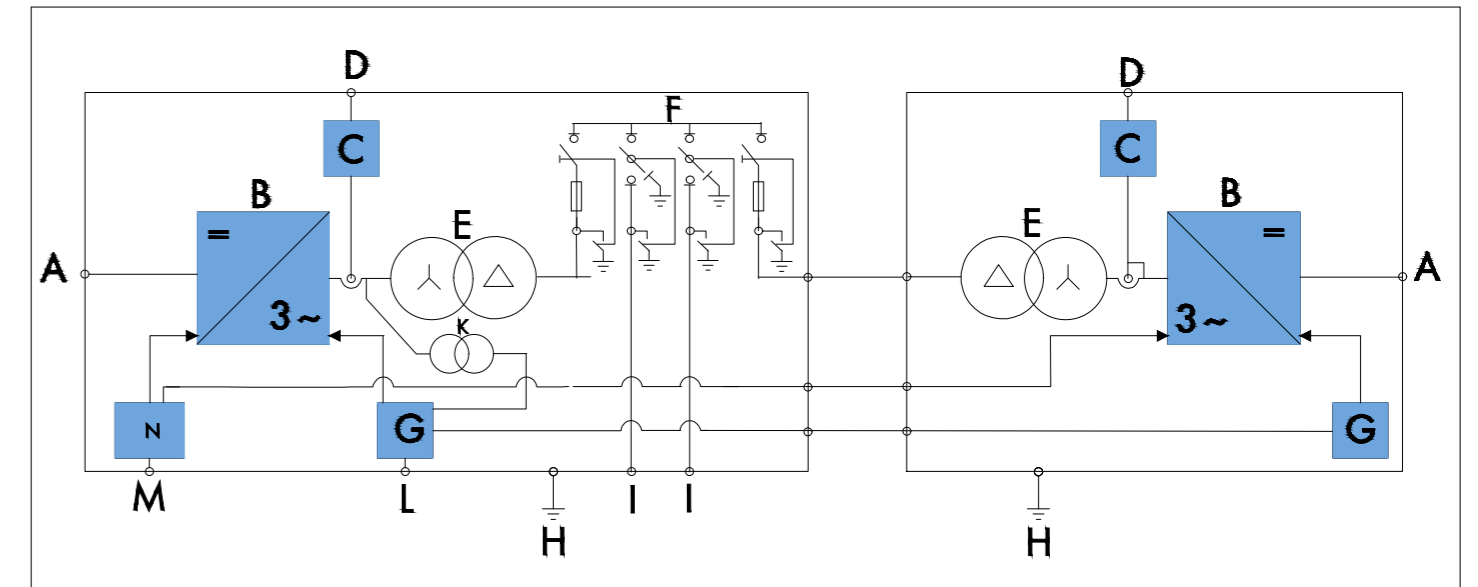
MEDIUM VOLTAGE STATION



PLAN

Legend:

- | | | | |
|-----|---------------------------------|-----|---|
| "A" | Sunny Central, DC cabinet | "E" | Medium-voltage switchgear |
| "B" | Sunny Central, inverter cabinet | "F" | Meter on the low-voltage side, optional |
| "C" | Sunny Central, AC cabinet | "G" | Sub-distribution station |
| "D" | Power Transformer | "H" | COM-B, optional |

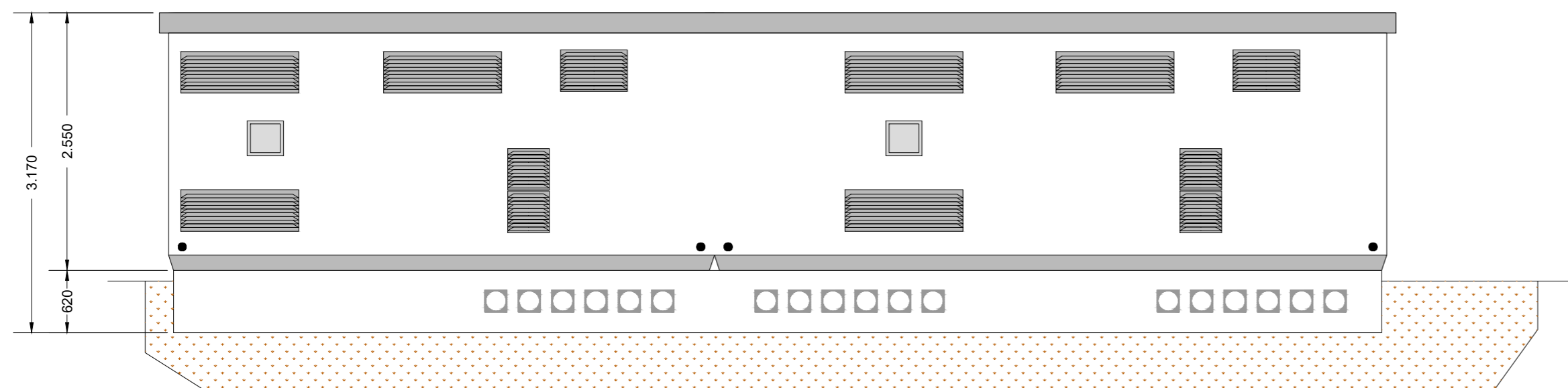


Legend:

- | | |
|-----|---|
| "A" | DC input |
| "B" | Sunny Central |
| "C" | Meter on the low-voltage side, optional |
| "D" | RS485 communication interface |
| "E" | Transformer Dy11 |
| "F" | Medium-voltage switchgear TM-I-I-TM |
| "G" | Station sub-distribution |
| "H" | External grounding |
| "I" | AC output |
| "K" | Internal power supply transformer, optional |
| "L" | External power supply |
| "M" | Communication interface |
| "N" | COM-B, optional |



FRONT VIEW



BACK VIEW

Project name		
LICHTENBURG SOLAR PARK		
Revision	Date	Description
00	June 2022	Scoping Report - Annexure A
Title		
Medium-voltage stations		
Scale	1:50	Size A2
Sheet	1 / 1	Id. LCHSP_05_r0
MATRIGENIX (Pty) Ltd		
Registration No: 2011/115691/07		